

# NOVA™

## SUSPENSION Ø600 BIEMISSION

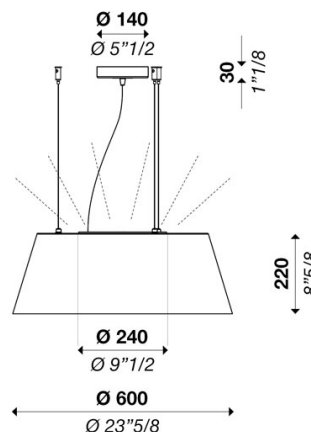
TYPE:

PROJECT NAME:



### Technical drawing

Size ref. image mm - inch



### Technical data

Light source	LED
Circuit structure	LED module vers.4
Light emission direction	direct and indirect
Power	73 W
Source lumens	10920 lm
Source efficacy	156 lm/W
Consumption	81 W
Delivered lumens	
Luminaire efficacy	lm/W
Secondary	D 1200mA / 700mA
Colour temperature	3000 K / varianti pagina 2
Colour rendering index	80 CRI / variants page 2
Standard Deviation of Colour Matching	3 SDCM
Energy class	A
Safety class	I
Degree of protection	IP 20
Direct mounting on normally flammable surfaces	●
Operating temperature	+10° / +40°

### Structure

Material aluminum

### Diffuser

Material pmma

### Canopy

Diameter ( Ø ) 140 mm - 5" 1/2 inch  
 Height 30 mm - 1" 1/8 inch

### Hanging cables

Stainless steel cables standard length (custom available) 2000 mm / 78" 3/4  
 Electric cable standard length (custom available) 2500 mm/100"

### Structure finish

gold      matte white      matte black



### Diffuser

opal      transparent prismatic



SPECIFICATION SHEET

### ORDERING INFO

Model (Order Code)	Finish	Diffuser	LED	Driver Options
<input type="radio"/> L031690310A20000	<input type="radio"/> Matte Black <input type="radio"/> Matte White <input type="radio"/> Gold	<input type="radio"/> Opal <input type="radio"/> Prismatic	<input type="radio"/> 3000K <input type="radio"/> 4000K	<input type="radio"/> 120V Phase Dimming <input type="radio"/> 120V 0-10V Dimming <input type="radio"/> 277V 0-10V Dimming



**Luminart®**

WWW.LUMINARTLIGHTING.COM

# NOVA™

## SUSPENSION Ø940 BIEMISSION

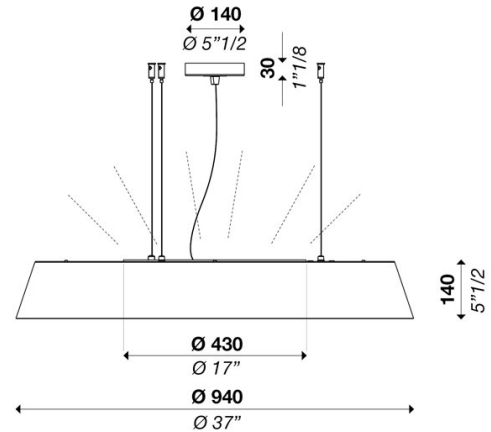
TYPE:

PROJECT NAME:



### Technical drawing

Size ref. image mm - inch



### Technical data

Light source	LED
Circuit structure	LED module D.vers.3 I.vers.4
Light emission direction	direct and indirect
Power	108 / 167 / 215 W
Source lumens	17090 / 28470 / 36062 lm
Source efficacy	158 / 171 / 167 lm/W
Consumption	114 W
Delivered lumens	
Luminaire efficacy	lm/W
Secondary	550mA / 1200mA
Colour temperature	3000K / 4000K
Colour rendering index	80 CRI
Standard Deviation of Colour Matching	3 SDCM
Energy class	A
Safety class	I
Degree of protection	IP 20
Direct mounting on normally flammable surfaces	●
Operating temperature	+10° / +40°

### Structure

Material aluminum

### Diffuser

Material pmma

### Canopy

Diameter ( Ø ) 140 mm - 5" 1/2 inch

Height 30 mm - 1" 1/8 inch

### Hanging cables

Stainless steel cables standard length (custom available) 2000 mm / 78" 3/4

Electric cable standard length (custom available) 2500 mm / 100"

### Structure finish

gold      matte white      matte black



### Diffuser

opal      transparent prismatic



SPECIFICATION SHEET

### ORDERING INFO

Model (Order Code)	Finish	Diffuser	LED	Driver Options
<input type="radio"/> 108W: L031690311A20000	<input type="radio"/> Matte Black	<input type="radio"/> Opal	<input type="radio"/> 3000K	<input type="radio"/> 120V Phase Dimming
<input type="radio"/> 167W: L031690312A20000	<input type="radio"/> Matte White	<input type="radio"/> Prismatic	<input type="radio"/> 4000K	<input type="radio"/> 120V 0-10V Dimming
<input type="radio"/> 215W: L031690313A20000	<input type="radio"/> Gold			<input type="radio"/> 277V 0-10V Dimming



**Luminart®**

WWW.LUMINARTLIGHTING.COM