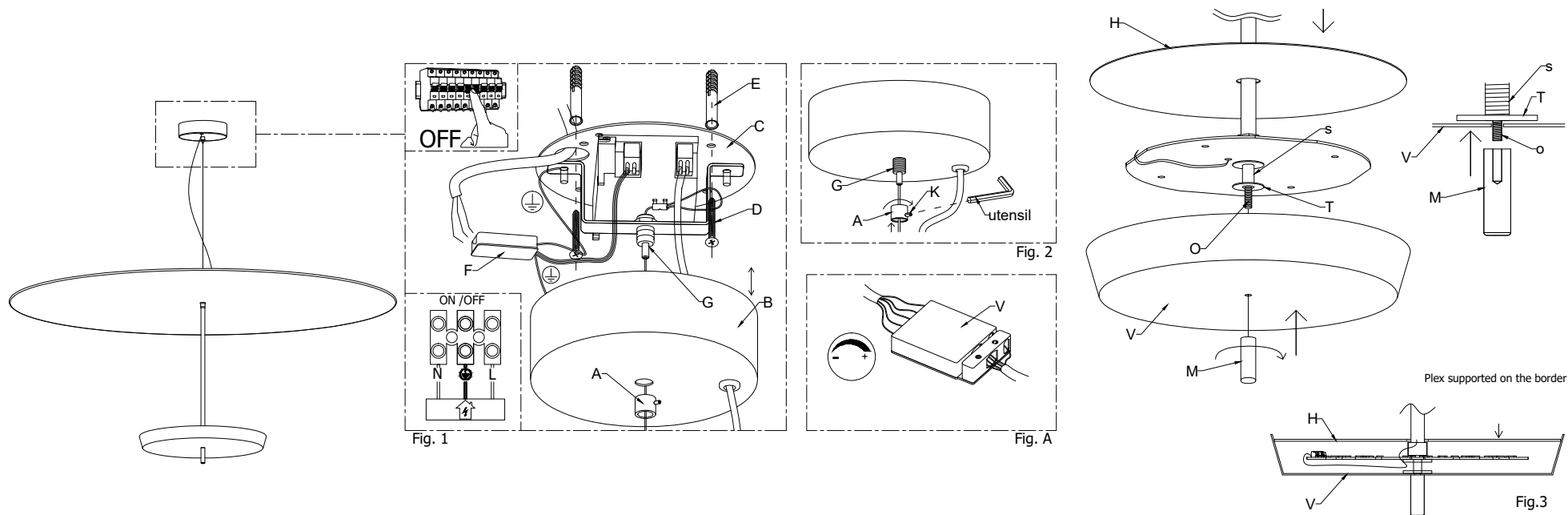


# OMBRELLA™

## INSTALLATION INSTRUCTIONS

TYPE:

PROJECT NAME:



### INSTRUCTION

- Disconnect the power source.
- Unscrew the handle (A) and lower the canopy (B). (Fig.1)
- Fix the plate (C) with screw (D) and dowels (E) on the ceiling. (Fig.1)
- Adjust the length of the steel cable acting on the adjusting block (G). (Fig.1)
- Connect the network cable into the terminal (F) according to the polarity. and close the box. (Fig.1)
- Version Dimmable connect the cables inside the box (V) matching the polarity (Fig. A).
- Tense the power cable paying attention to the regulation, it doesn't have to be too tensed.
- Place the canopy in the ceiling. Screw with care the particular (A), the block cable (G).Screw the safety screw (K) (FIG.2).
- Adjust The washer (T) in height flush pin (S).
- Place the box conical bottom closure (V) by screwing the particular (M) at the threaded pipe (O).(FIG.3)
- Place The protective screen (H) to fall, at the center of the box conical (V)(FIG.3)

### ATTENTION:

The products of our production are suitable for the using in usual surroundings with standard temperature and humidity levels. All the operations have to be done by a technician.

### CLEANING:

#### Switch off the power or pull the plug out.

For the periodical cleaning of the lamp use always gloves and a soft cloth (for glossy surfaces) or a feather duster for the lampshade in fabric or pleated fabric. Don't use aggressive solvents or alcohol.

Avoid absolutely to fold parts which are not expected for folding, in this case welded parts are going to be damaged.

