

**TYPE:**

**PROJECT NAME:**

**INFO**



**OPEESP120P01 + OPEESP090C01**

- Sospensione in tessuto di cotone o plissé fasciato a mano. Pannello di finitura inferiore in plexiglass opale.
- Suspension in cotton fabric or in handfinished pleated fabric. Finishing panel underneath in opal Plexiglas.
- Suspension en tissu coton ou plissé fait à la main. Disque de finition en plexiglass opale dans la partie inférieure.
- Hängeleuchte aus Baumwolle oder aus handgerafftem Plissee. Untere Abschlussplatte aus Plexiglas opal.
- Suspensión en algodón o plisado hecho a mano. Disco de plexiglass opal en la parte inferior.

**INDOOR**

**OPEESP090C01**

→ 90 × 90 × h 30 cm – kg 5,00

**OPEESP120C01**

→ 120 × 120 × h 30 cm – kg 10,00

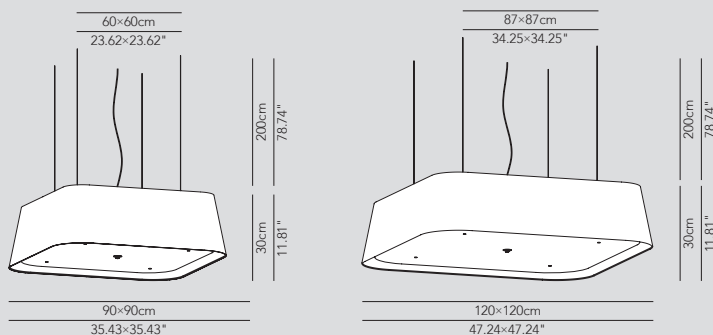
*sospensione, suspension, suspension, Hängeleuchte, suspensión*

- 90
- ⦿ 4 × E27 105W HES
- ⦿ 4 × E27 25W fluo
- ⦿ 4 × E27 LED
- 120
- ⦿ 4 × E27 105W HES
- ⦿ 4 × E27 25W fluo
- ⦿ 4 × E27 LED
- ⦿ 1 × FC T5 55W

**INDOOR IP 20**



**TECHNICALS**



**FINISHES**



\*\* cable on measure  
\* on demand

TYPE:

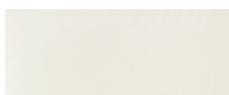
## FINISHES

PROJECT NAME:



Classic

### COTONE / COTTON / COTON / BAUMWOLLE / ALGODON



cod. 300  
avorio/ivory



cod. 301  
bianco/white



cod. 302  
sabbia/sandy



cod. 305  
aragosta/lobate pink



cod. 310  
grigio antracite/deep grey



cod. 312  
grigio/grey



cod. 313  
nero/black



cod. 314  
marrone/brown



cod. 317  
tortora/dove colour



cod. 323  
salvia/sage



cod. 324  
spago/écru

Fashion



cod. 303  
giallo oro/golden yellow



cod. 306  
rosso/red



cod. 307  
prugna/plum



cod. 315  
arancio/orange



cod. 316  
verde/green



cod. 318  
muschio/moss



cod. 319  
ottanio/teal



cod. 320  
malva/mallow



cod. 321  
pervinca/periwinkle



cod. 322  
giallo limone/lemon yellow



cod. 326  
blu navy/navy blue



cod. 327  
provenza/lavender

TYPE:

FINISHES

PROJECT NAME:



PLISSÉ / PLEATED / PLISSÉ / PLISSEE / PLISADO



cod. 500  
bianco/white



cod. 501  
beige/beige



cod. 502  
nero/black



cod. 504  
rosso fuoco/flame red



cod. 505  
marrone/brown



cod. 511  
arancio/orange



cod. 512  
rosso scuro/dark red



cod. 513  
avorio/ivory



cod. 514  
nocciola/hazel



cod. 515  
militare/military



cod. 516  
marrone scuro /dark brown



cod. 519  
grigio scuro/dark grey



cod. 506  
fucsia/fuchsia



cod. 507  
viola/purple



cod. 508  
verde/green



cod. 509  
grigio chiaro/light grey



cod. 510  
antracite/deep grey



cod. 517  
cotto rosso/red brick



cod. 518  
verde oliva/olive



cod. 520  
bluette/electric blue



Ribbon



cod. 700  
avorio/ivory



cod. 701  
cuoio/leather



cod. 704  
spago/écru



cod. 705  
mimosa/yellow



cod. 708  
ghisa/cast iron



cod. 709  
verde bosco/forest green