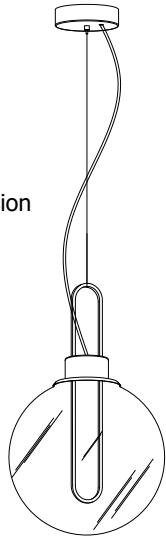


GLASS version



PMMA version

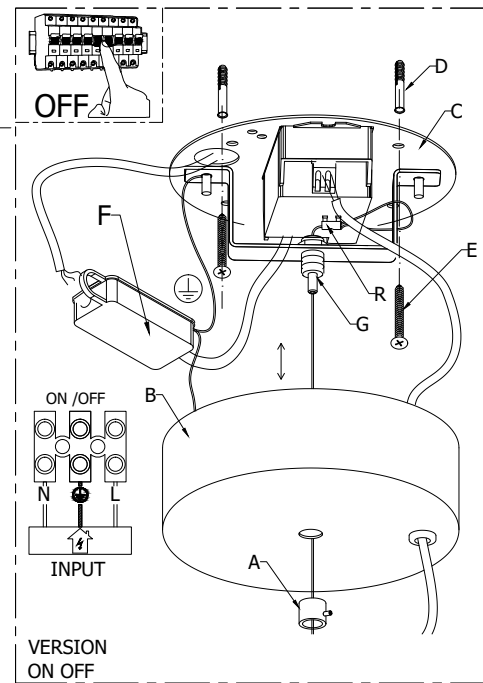
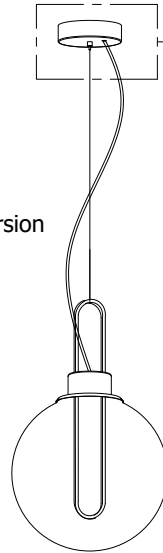


Fig. 1

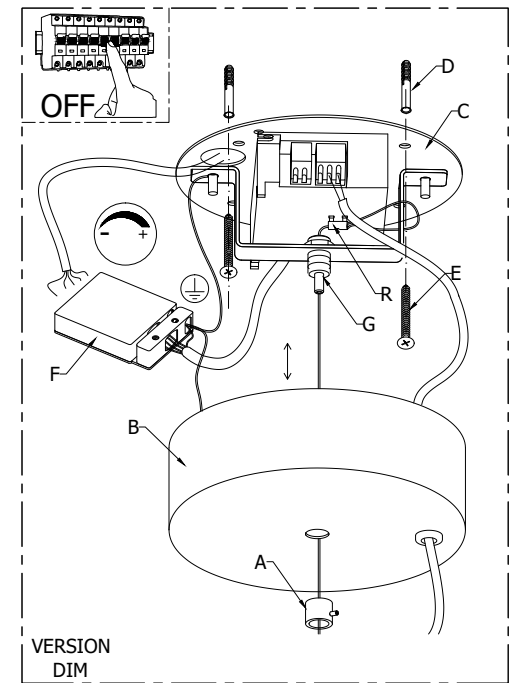


Fig. 2

**INSTRUCTION**

- Disconnect the power source.
- Unscrew the handle (A) and lower the canopy (B).(Fig.1/2)
- Fix the plate (C) with screw (D) and dowels (E) on the ceiling.(Fig.1/2)
- Adjust the length of the steel cable acting on regulating terminal security (R), push the part (B) of the gripper so that the steel cable runs. (Fig.1/2)

- ON-OFF VERSION Connect the network cable into the driver (F) according to the polarity.(Fig.1)

DIMMABLE VERSION Connect the network cable into the terminal (F) according to the polarity.(Fig.2)

- DIAGRAM OF CONNECTIONS DIMMABLE see sheet connections.

- Tense the power cable paying attention to the regulation, it doesn't have to be too tensed.
- Place the canopy in the ceiling. Screw with care the particular (A), the block cable (G).(Fig.3)
- Screw the safety screw (K).(Fig.3)

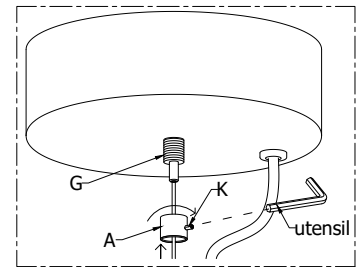


Fig. 3

WEIGHT	
PMMA	Kg 3.5 / 7.72 lb
GLASS	Kg 6 / 13.24 lb

**ATTENTION:**

The products of our production are suitable for the using in usual surroundings with standard temperature and humidity levels. All the operations have to be done by a technician.

**CLEANING:**

**Switch off the power or pull the plug out.**

For the periodical cleaning of the lamp use always gloves and a soft cloth (for glossy surfaces) or a feather duster for the lampshade in fabric or pleated fabric. Don't use aggressive solvents or alcohol.

Avoid absolutely to fold parts which are not expected for folding, in this case welded parts are going to be damaged.