

ORB™

SUSPENSION

TYPE:

PROJECT NAME:

Finish

Metal structure:



White



Black



Chrome



Copper



Brass

Globe diffuser:



Smoked PMMA



Glass



IP20

SPECIFICATION SHEET



Canopy detail

* cable on measure

Luminart®

WWW.LUMINARTLIGHTING.COM
Last updated: 11/05/20

ORB™

SUSPENSION

TYPE:

PROJECT NAME:

Pendant lamp smoked PMMA - ø 25	ø 25 x 41 cm 2 Kg	lamp type 1 led module 8.5W luminous efficacy 1335 Lm light colour 3000 K cri >80	L82ORBESO025M01
Composition 2 globes smoked PMMA - ø25 - canopy in same color as structure	ø 25 x 241 cm 2,5 Kg	lamp type 2 led module 8.5W luminous efficacy 2x1335 Lm light colour 3000 K cri >80	L82ORBEC002M01
Composition 3 globes smoked PMMA - ø 25 - white canopy	ø 60 x 180 cm 10 Kg	lamp type 3 led module 8.5W luminous efficacy 3x1335 Lm light colour 3000 K cri >80	L82ORBECM003M01
Composition 6 globes smoked PMMA - ø 25 - white canopy	ø 65 x 180 cm 16 Kg	lamp type 6 led module 8,5 W luminous efficacy 6x 1335 Lm light colour 3000 K DIM dali / triac cri >80	L82ORBECM006M01

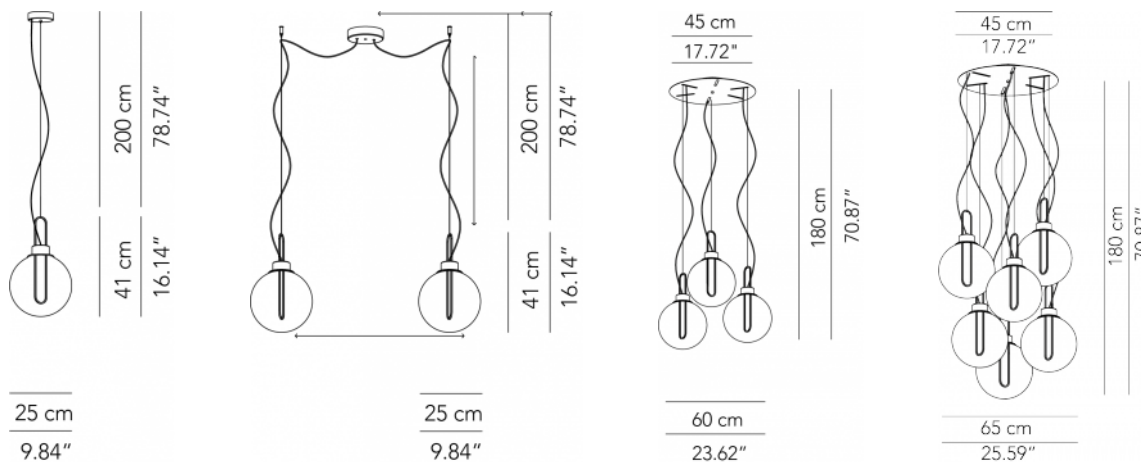
ORDERING INFO

Model (Order Code)	Finish	LED	Voltage	Dimming
		<input type="radio"/> 2700K	<input type="radio"/> 120V	<input type="radio"/> LTE (Leading/Trailing Edge Dim)
		<input type="radio"/> 3000K	<input type="radio"/> 277V	<input type="radio"/> 010V (0-10V)
		<input type="radio"/> 4000K		



Fixture comes with a 4" backplate that mounts to a standard junction box. Please note: 277V is only compatible with 0-10V dimming.

SPECIFICATION SHEET



Luminart®

WWW.LUMINARTLIGHTING.COM
Last updated: 11/05/20

ORB™

SUSPENSION


TYPE:

PROJECT NAME:

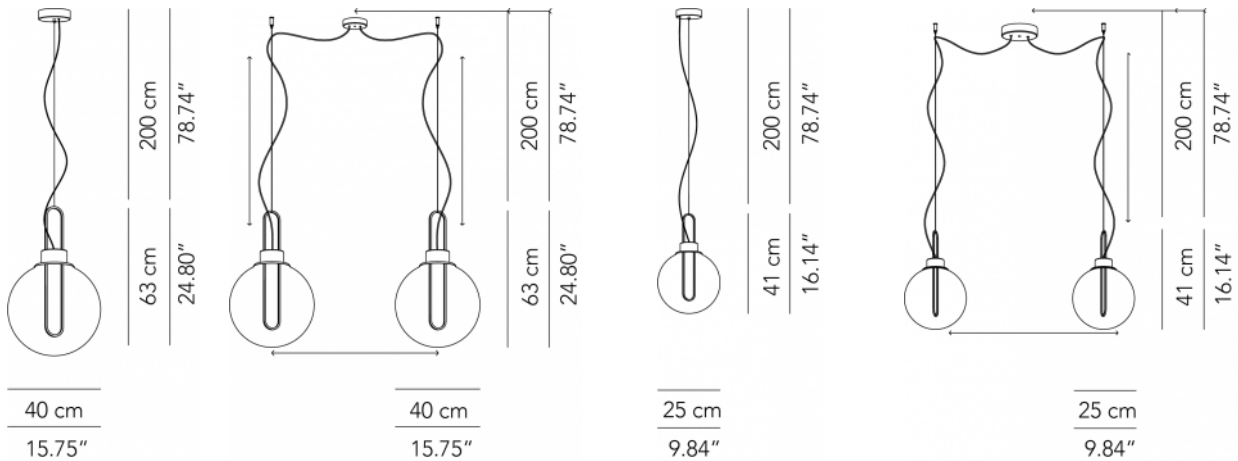
Pendant lamp smoked PMMA - ø 40	ø 40 x 63 cm 3,5 Kg	lamp type 1 led module 18W luminous efficacy 2330 Lm light colour 3000 K cri >90	L82ORBESO040M01
Composition 2 globes smoked PMMA - ø40 - canopy in same color as structure	ø 40 x 263 cm 7 Kg	lamp type 1 led module 19.3W luminous efficacy 2900 Lm light colour 2700 K cri >80	L82ORBECs040M01
Pendant lamp glass - ø 25	ø 25 x 41 cm 2 Kg	lamp type 1 led module 8.5W luminous efficacy 1335 Lm light colour 3000 K cri >80	L82ORBESO025K01
Composition 2 globes glass - ø 25 - canopy in same color as structure	ø 25 x 241 cm 2,5 Kg	lamp type 2 led module 8.5W luminous efficacy 2x1335 Lm light colour 3000 K cri >80	L82ORBECs002K01

ORDERING INFO

Model (Order Code)	Finish	LED	Voltage	Dimming
		<input type="radio"/> 2700K	<input type="radio"/> 120V	<input type="radio"/> LTE (Leading/Trailing Edge Dim)
		<input type="radio"/> 3000K	<input type="radio"/> 277V	<input type="radio"/> 010V (0-10V)
		<input type="radio"/> 4000K		

 Fixture comes with a 4" backplate that mounts to a standard junction box. Please note: 277V is only compatible with 0-10V dimming.

SPECIFICATION SHEET



ORB™

SUSPENSION

TYPE:

PROJECT NAME:

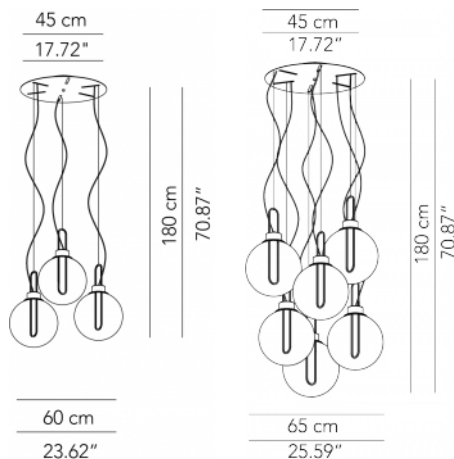
Composition 3 globes glass - ø 25 - white canopy	ø 60 x 180 cm 10 Kg	lamp type 3 led module 8.5W luminous efficacy 3x1335 Lm light colour 3000 K cri >80	L82ORBECM003K01
Composition 6 globes glass - ø 25 - white canopy	ø 65 x 180 cm 16 Kg	lamp type 6 led module 8.5W luminous efficacy 6x 1335 Lm light colour 3000 K cri >80	L82ORBECM006K01
Pendant lamp glass - ø 40	ø 40 x 63 cm 3,5 Kg	lamp type 1 led module 18W luminous efficacy 2330 Lm light colour 3000 K cri >90	L82ORBESO040K01
Composition 2 globes glass- ø 40 - canopy in same color as structure	ø 40 x 263 cm 7 Kg	lamp type 1 led module 19.3W luminous efficacy 2900 Lm light colour 2700 K cri >80	L82ORBEC S040K01

ORDERING INFO

Model (Order Code)	Finish	LED	Voltage	Dimming
		<input type="radio"/> 2700K	<input type="radio"/> 120V	<input type="radio"/> LTE (Leading/Trailing Edge Dim)
		<input type="radio"/> 3000K	<input type="radio"/> 277V	<input type="radio"/> 010V (0-10V)
		<input type="radio"/> 4000K		



Fixture comes with a 4" backplate that mounts to a standard junction box. Please note: 277V is only compatible with 0-10V dimming.



SPECIFICATION SHEET

Luminart®

WWW.LUMINARTLIGHTING.COM
Last updated: 11/05/20