

ORION™ TL

BOLLARD

TYPE:

PROJECT NAME:



SPECIFICATION SHEET

Luminart®

WWW.LUMINARTLIGHTING.COM

ORION™ TL

BOLLARD

TYPE:

PROJECT NAME:



Fixture Specifications

Protection . IP 65 - IK 08

Body Pole . Extruded aluminium alloy
Body/Base . Die-cast aluminium alloy

Screen . Opal polycarbonate

Seals . Closed-cell EPDM rubber

Screws . Stainless steel A2

Paint / Finishing . Anti-corrosive UV stabilised polyester powder

Finishes



PURE WHITE
RAL 9016



BLACK
RAL 9005



WHITE
RAL 9010



BRONZE



RUST



ANTHRACITE



SLATE GREY



GREY
RAL 9006

Assembly

Ground connection system with anchoring brackets to be ordered separately. The orientation is independent of the layout of the ground fixing holes.

Application



Residential areas



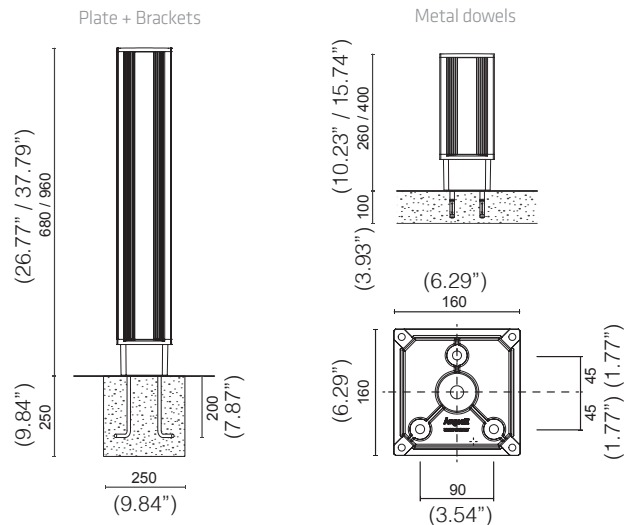
Cycle
Pedestrian paths



Access areas



Parks
Gardens





SPECIFICATION SHEET

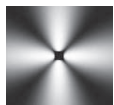
ORION™ TL 260

BOLLARD

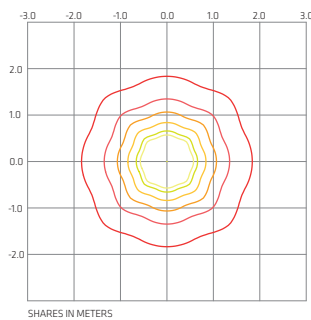
TYPE:

PROJECT NAME:

beam	class	W	source	fixture	CCT LED	CRI
 360°	I	14W	1760 lm	820 lm	3000 K	80
 360°	I	14W	1840 lm	860 lm	4000 K	80



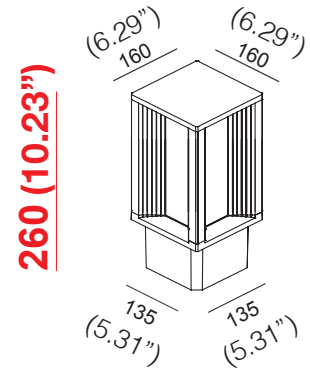
4 WAYS
4 openings



4000K - 14W
H 260 mm

- 60 lux
- 40 lux
- 20 lux
- 10 lux
- 5 lux
- 2 lux

SHARES IN METERS



SPECIFICATION SHEET

ORDERING INFO

Model (Order Code)	Finish Options	Optic Options	Accessories	LED	Dimming Options
<input type="radio"/> L90ORION TL 260	<input type="radio"/> 00: Pure White <input type="radio"/> 10: White <input type="radio"/> 24: Bronze <input type="radio"/> 25: Rust <input type="radio"/> 01: Black <input type="radio"/> 30: Anthracite <input type="radio"/> 35: Slate Grey <input type="radio"/> 40: Grey	<input type="radio"/> Four Ways Optic	<input type="radio"/> G: Ground Anchoring Bracket	<input type="radio"/> 30: 3000K <input type="radio"/> 40: 4000K	<input type="radio"/> 120V LTE <input type="radio"/> 120V-277V 0-10V (Universal Voltage)





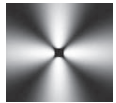
ORION™ TL 400

BOLLARD

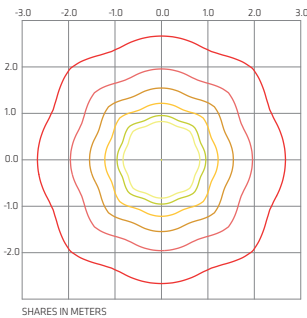
TYPE:

PROJECT NAME:

beam	class	W	source	fixture	CCT LED	CRI
 360°	I	25W	3480 lm	1630 lm	3000 K	80
 360°	I	25W	3680 lm	1720 lm	4000 K	80

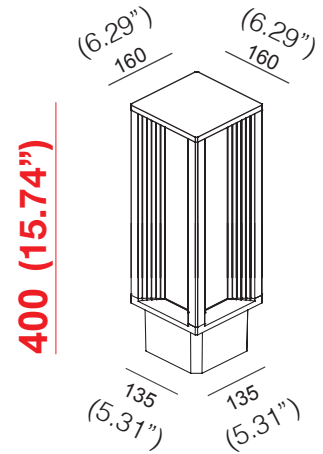


4 WAYS
4 openings



4000K - 25W
H 400 mm

- 60 lux
- 40 lux
- 20 lux
- 10 lux
- 5 lux
- 2 lux



SPECIFICATION SHEET

ORDERING INFO

Model (Order Code)	Finish Options	Optic Options	Accessories	LED	Dimming Options
<input type="radio"/> L90ORION TL 400	<input type="radio"/> 00: Pure White <input type="radio"/> 10: White <input type="radio"/> 24: Bronze <input type="radio"/> 25: Rust <input type="radio"/> 01: Black <input type="radio"/> 30: Anthracite <input type="radio"/> 35: Slate Grey <input type="radio"/> 40: Grey	<input type="radio"/> Four Ways Optic	<input type="radio"/> G: Ground Anchoring Bracket	<input type="radio"/> 30: 3000K <input type="radio"/> 40: 4000K	<input type="radio"/> 120V LTE <input type="radio"/> 120V-277V 0-10V (Universal Voltage)



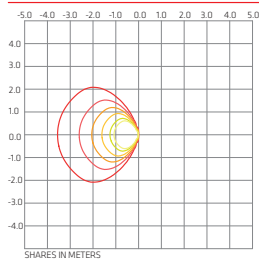
ORION™ TL 680

BOLLARD

TYPE:

PROJECT NAME:

beam	class	W	source	fixture	CCT LED	CRI
1 WAY >120°	I	9W	1250 lm	585 lm	3000 K	80
1 WAY >120°	I	9W	1310 lm	612 lm	4000 K	80
2 WAYS >120°	I	18W	2500 lm	1170 lm	3000 K	80
2 WAYS >120°	I	18W	2620 lm	1224 lm	4000 K	80
360°	I	36W	5000 lm	2340 lm	3000 K	80
360°	I	36W	5240 lm	2450 lm	4000 K	80

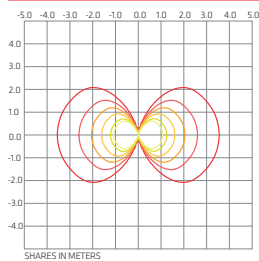


4000K - 9W
H 680 mm

- 60 lux
- 40 lux
- 20 lux
- 10 lux
- 5 lux
- 2 lux



1 WAY
1 opening
1 x 120°

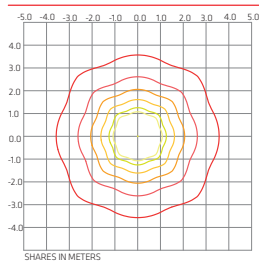


4000K - 18W
H 680 mm

- 60 lux
- 40 lux
- 20 lux
- 10 lux
- 5 lux
- 2 lux



2 WAYS
2 opening
2 x 120°



4000K - 36W
H 680 mm

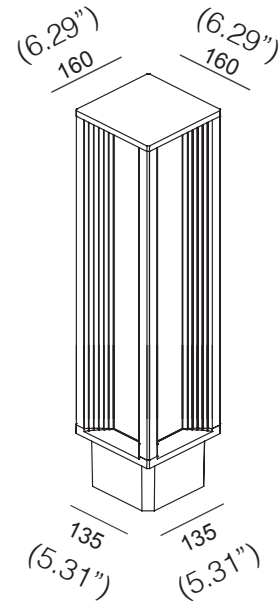
- 60 lux
- 40 lux
- 20 lux
- 10 lux
- 5 lux
- 2 lux



4 WAYS
4 opening



680 (26.77")



SPECIFICATION SHEET

ORDERING INFO

		G			
Model (Order Code)	Finish Options	Optic Options	Accessories	LED	Dimming Options
<input type="radio"/> L90ORION TL 680	<input type="radio"/> 00: Pure White <input type="radio"/> 10: White <input type="radio"/> 24: Bronze <input type="radio"/> 25: Rust <input type="radio"/> 01: Black <input type="radio"/> 30: Anthracite <input type="radio"/> 35: Slate Grey <input type="radio"/> 40: Grey	<input type="radio"/> One Way Optic <input type="radio"/> Two Ways Optic <input type="radio"/> Four Ways Optic	<input type="radio"/> G: Ground Anchoring Bracket	<input type="radio"/> 30: 3000K <input type="radio"/> 40: 4000K	<input type="radio"/> 120V LTE <input type="radio"/> 120V-277V 0-10V (Universal Voltage)



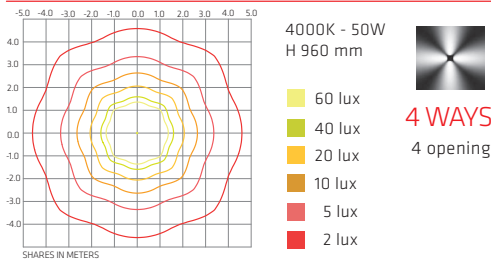
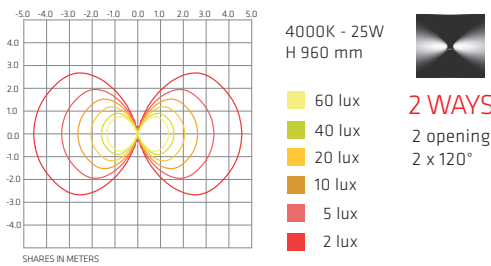
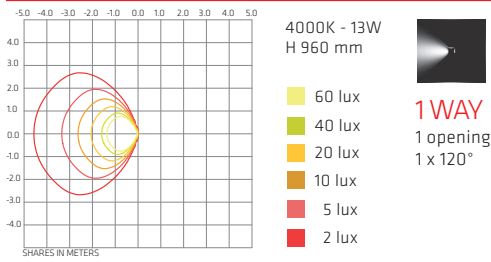
ORION™ TL 960

BOLLARD

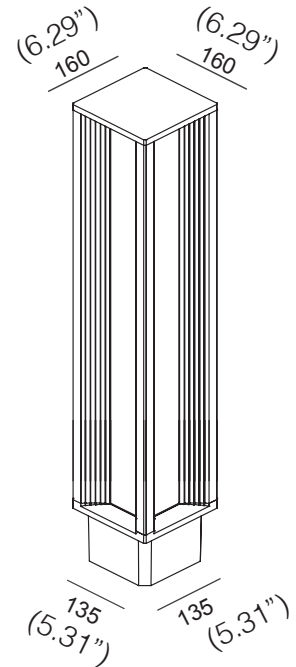
TYPE:

PROJECT NAME:

beam	class	W	source	fixture	CCT LED	CRI
1 WAY >120°	I	13W	1880 lm	879 lm	3000 K	80
1 WAY >120°	I	13W	1980 lm	925 lm	4000 K	80
2 WAYS >120°	I	25W	3760 lm	1760 lm	3000 K	80
2 WAYS >120°	I	25W	3960 lm	1850 lm	4000 K	80
360°	I	50W	7520 lm	3515 lm	3000 K	80
360°	I	50W	7920 lm	3700 lm	4000 K	80



960 (37.79")



SPECIFICATION SHEET

ORDERING INFO

Model (Order Code)	Finish Options	Optic Options	Accessories	LED	Dimming Options
<input type="radio"/> L90ORION TL 960	<input type="radio"/> 00: Pure White <input type="radio"/> 10: White <input type="radio"/> 24: Bronze <input type="radio"/> 25: Rust <input type="radio"/> 01: Black <input type="radio"/> 30: Anthracite <input type="radio"/> 35: Slate Grey <input type="radio"/> 40: Grey	<input type="radio"/> One Way Optic <input type="radio"/> Two Ways Optic <input type="radio"/> Four Ways Optic	<input type="radio"/> G: Ground Anchoring Bracket	<input type="radio"/> 30: 3000K <input type="radio"/> 40: 4000K	<input type="radio"/> 120V LTE <input type="radio"/> 120V-277V 0-10V (Universal Voltage)

