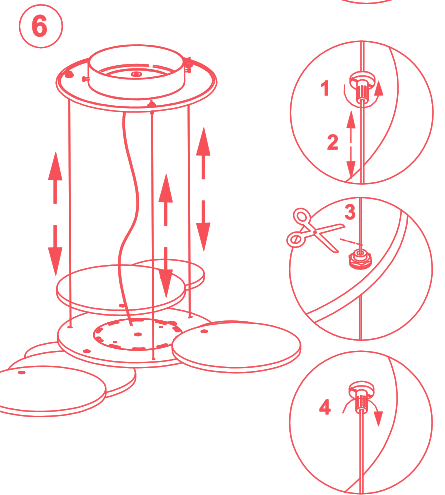
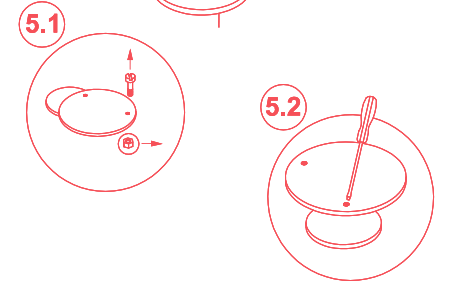
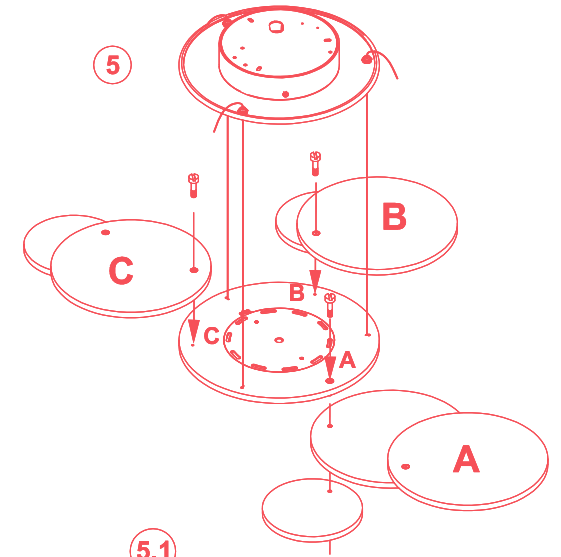
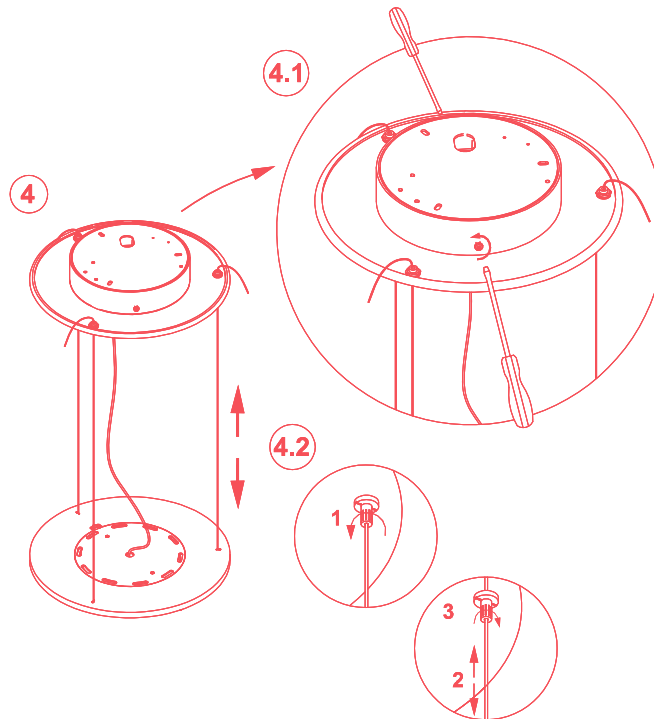
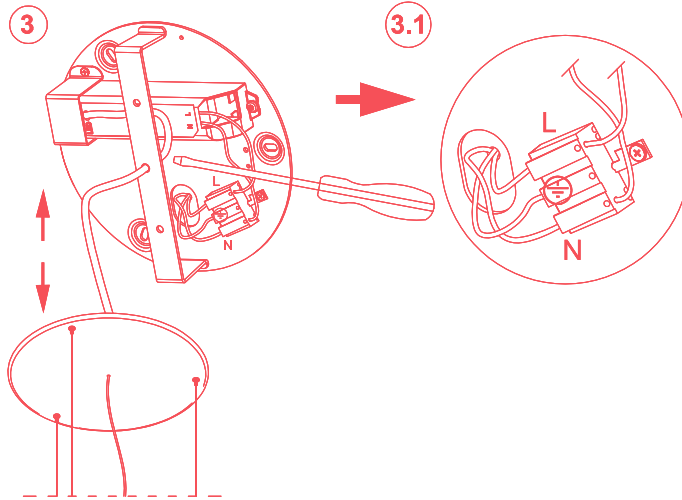
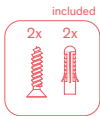
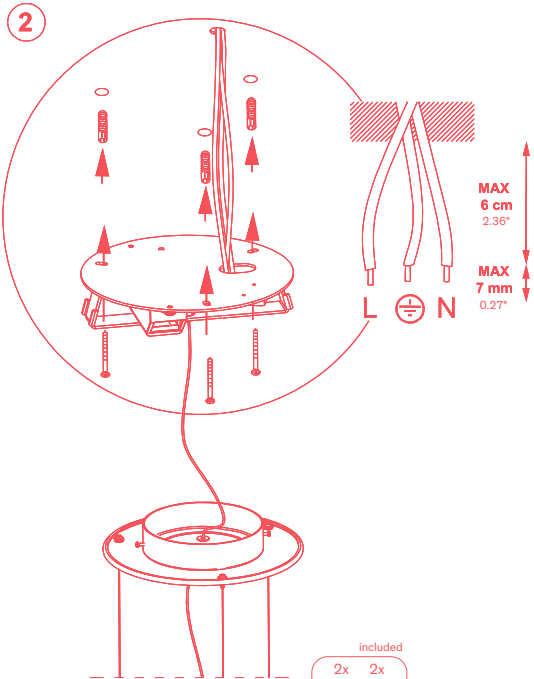
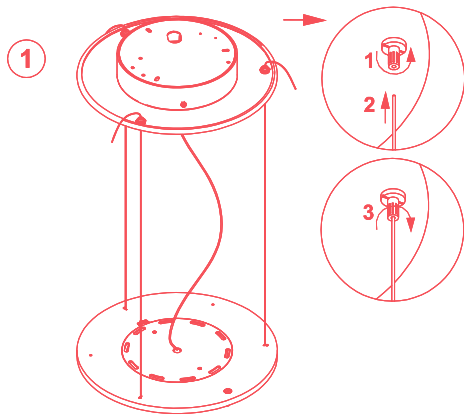


# OVERLAP™

INSTALLATION INSTRUCTIONS

TYPE:

PROJECT NAME:



INSTALLATION SHEET