

# PASSUM™ Ø125,180,245

## INSTALLATION INSTRUCTIONS

TYPE:

PROJECT NAME:

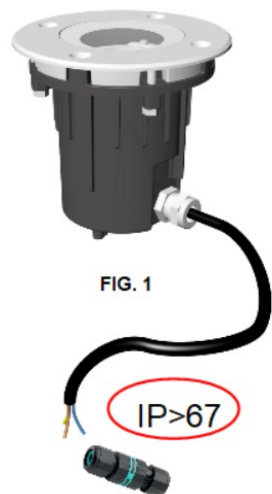


FIG. 1

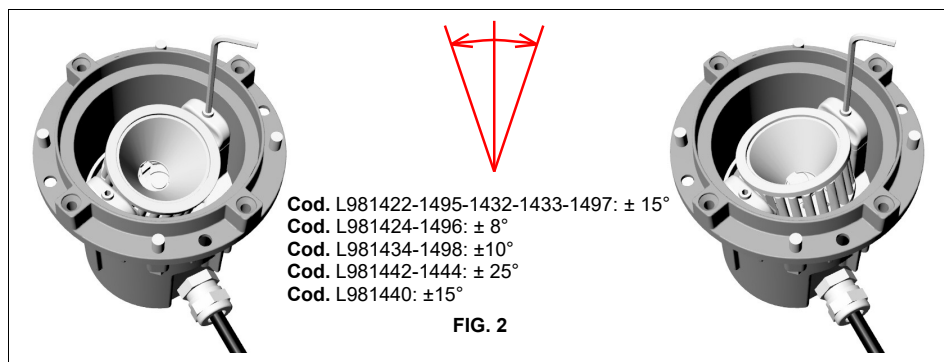


FIG. 2

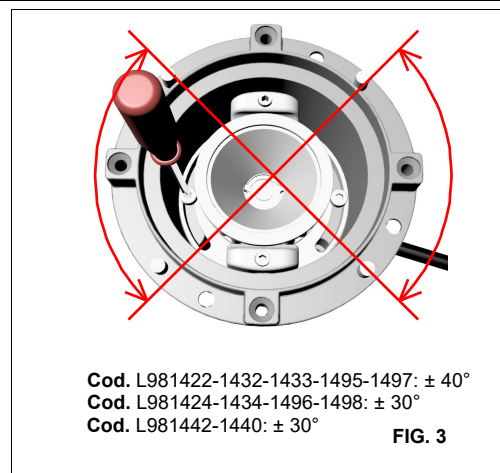
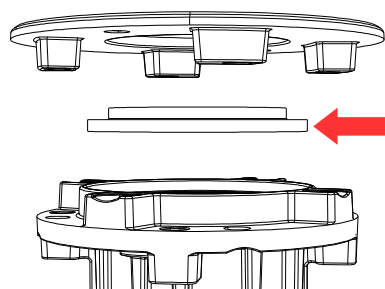


FIG. 3



Pay attention to the orientation of the glass!

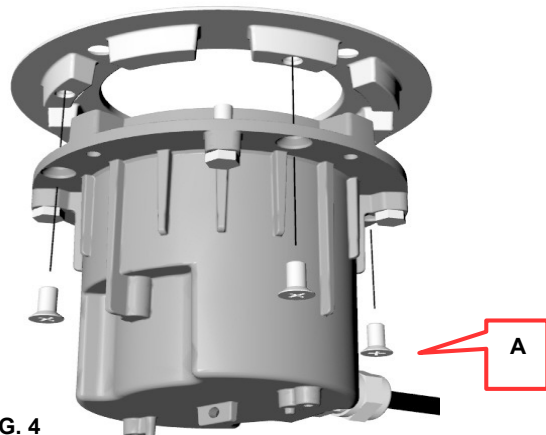


FIG. 4

### ELECTRICAL WIRING (FIG.1)

The luminaire is supplied with a 3x1 mm<sup>2</sup> cable coming out of a cable gland.

**Note:** never unscrew the cable gland. Connect the luminaire to the power cables using a connector IP  $\geq$  67.

### ADJUSTABLE OPTICS (FIG. 2, 3)

Depending on the type of luminaire, the optics can be adjusted differently.

**Tilt/rotate adjustment:** Loosen the Allen screws, adjust the optics and then tighten them again.

### ASSEMBLING (FIG. 4)

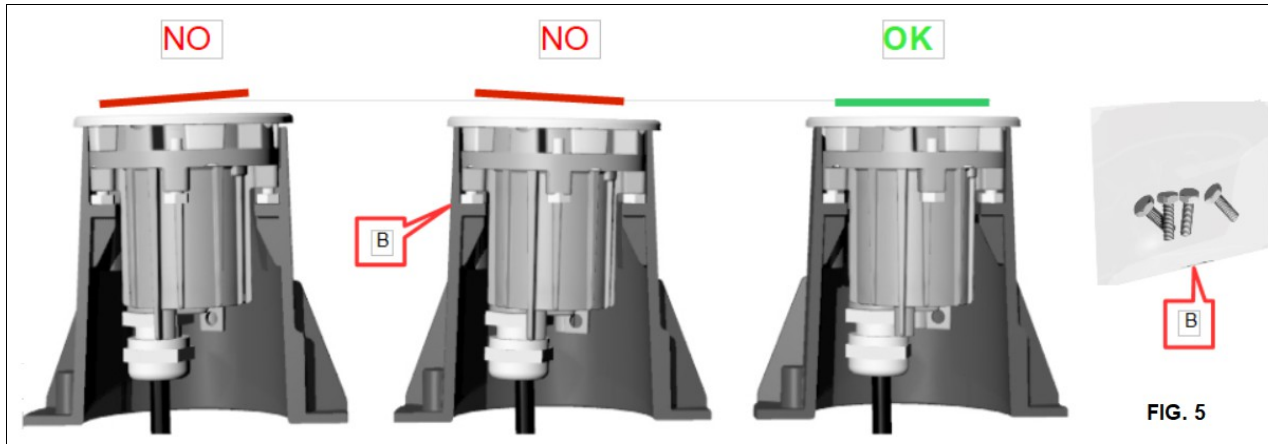
Install the lamp, if required (Tab. 2). By installing or by opening the fixture for maintenance, allow the luminaire to stay on for 30/40' with the device opened, in order to take away the possible humidity inside. Close together the case with its flange by tightening properly the supplied screws A.

# PASSUM™ Ø125,180,245

## INSTALLATION INSTRUCTIONS

TYPE:

PROJECT NAME:



### HORIZONTAL ALIGNMENT (FIG. 5)

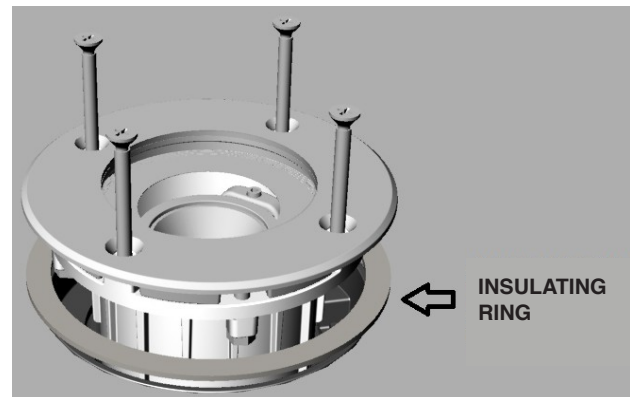
Make this regulation to better adjust the light direction. The adjustment is to be made before blocking the luminaire in the in-ground box.

Adjust the screws B properly in a way that they touch the hollow housing inside the in-ground box likewise.

**Note:** Such regulation allows the alignment of the fixture to the ground unless for inappropriate Inground location.

COD. PASSUM	NOTE
L981424-1496	Max h = 57mm
L981434-1498	Max h = 86mm
L981444	Max h = 195mm

Tab. 2



### FINAL ASSEMBLING (FIG. 6, 7)

Check the correspondence between the appliance and the in-ground box (see also the instructions of the in-ground box).

Insert the appliance into the in-ground box with the addition of the insulating ring to be positioned under the flange as insulation from the ground.

Block the appliance in the in-ground box by the supplied screws.

Keep this instruction leaflet.