

PASSUM UP™

Ground and wall recessed up-light luminaires,
adjustable optic



ø 70 **LED**
2.76"



ø 125 **LED**
4.92"



ø 180 **LED**
7.09"



ø 245 **LED RGB**
9.65"

PASSUM UP™ ultraflat

Low depth recessed up-light



ø 125 **LED**
4.92"

PASSUM UP™

Ground + wall recessed up-lights, adjustable optic walk over + driver over

GENERAL FEATURES

A range of recessed luminaires in primary low copper content aluminium alloy, painted in double coat polyester powders after phosphochrome, resistant to UV rays and harsh weather conditions.

Dimensions: \varnothing 70/125/180 and 245 mm.

Remote control driver for \varnothing 70 mm and driver Inside for \varnothing 125/180/245 mm.

Fixed optic for \varnothing 70 mm, fully adjustable $\pm 15^\circ$ for \varnothing 125 and 180 mm and $\pm 25^\circ$ for \varnothing 245 mm.

Power led 1/3/49,5/29W with CRI 80 available in 4000 and 3000 K.

Life: 50.000 h with max decreasing of 30% - L70 B50.

Security tempered glass with touch temperature $T \leq 40^\circ$, thickness from 6 to 12 m. Walk over and driver over allowed.

On require opal and skidproof glasses.

Light body supplied pre-wired with 0,5 mt in-ground cable H07RN-F and connection block IP68.

Low depth recessing box in waterproof technpolymer.

The covering flanges are supplied separately, available in copper free aluminium or in stainless steel AISI 316 L with stainless steel screws.

The ultra-flat version d 125 m is suitable to be inserted in a backbox 105 mm depth only.

Made according to EN 60598-1:08+A11:09 European standards CE

MAXIMUM MODULARITY

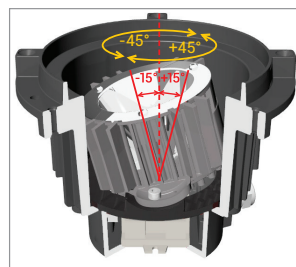
The lighting fittings of the range are supplied in 3 separate parts:

- 1 - Recessing box
- 2 - Light body with glass and gasket
- 3 - Changeable flanges



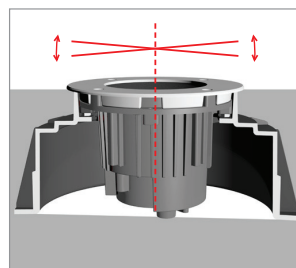
ADJUSTABLE AND ROUTABLE OPTIC

Fully adjustable optic (unless for \varnothing 70 mm). Vertically $\pm 15^\circ$ for \varnothing 125 and 180 mm and $\pm 25^\circ$ for \varnothing 245 mm. Horizontally for the right firing.



LIGHT BODY HORIZONTAL REGULATION

After inserting the light body in the recessed box is possible a complete planning regulation, to level out the fitting.



IN-GROUND WIRING

Any fitting of the range is pre-wired with 0,5 mt H07RN-F cable and connection block IP68.



WALK OVER AND DRIVE OVER

Max surface $T \leq 40^\circ\text{C}$ and load up pressure max 2.000-3.500 Kg (1000 Kg for \varnothing 70 mm).



MODULAR COVERING FLANGES

Available in three versions: aluminium and AISI 316L stainless steel.



PASSUM UP™ $\varnothing 125$ (4.92")

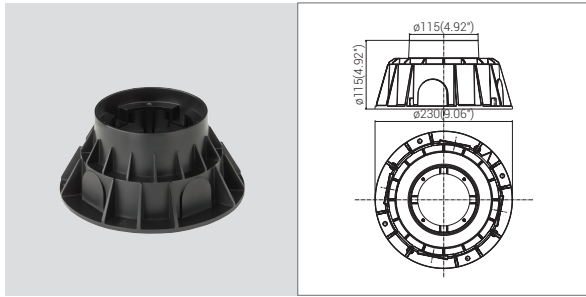


Ground + wall recessed

TYPE: _____

| IN-GROUND BOX

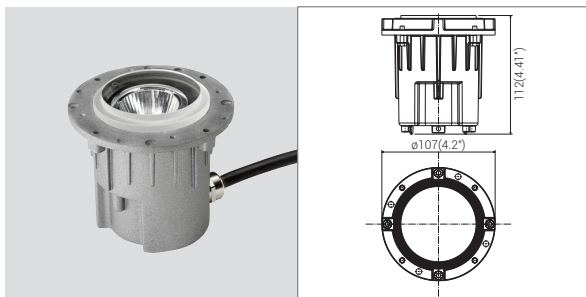
PROJECT NAME: _____



CODE	/ DESCRIPTION
1421	/ In-ground box $\varnothing 125$ mm (4.92")

In-ground box in waterproof technopolymer.

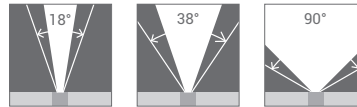
| LIGHT BODY $\varnothing 125$ mm



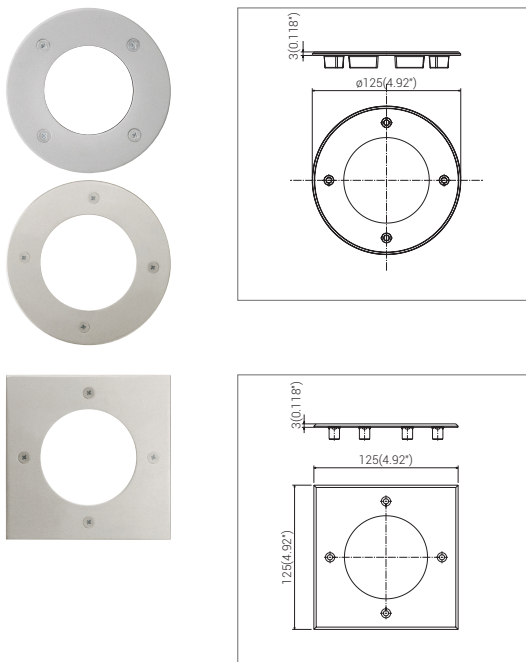
CODE	SORGENTE / LAMP	OTTICA/OPTIC	W	Lm
1422	○ Led	18°-38°-90°	4	380

Fully adjustable optic $\pm 15^\circ$.
 Driver 120V / 350 mA inside.
 Clear glass 10 mm (0.39").
 Max load pressure 2000 Kg.
 IK 10 / IP 67 / Class I / 4000K / CRI 80

For 3000 K add TC to the code n.



| CHANGEABLE FLANGES 125 mm



CODE	/ DESCRIPTION
1521	/ Aluminium $\varnothing 125$ mm (4.92")

COLOUR **GM**

CODE	/ DESCRIPTION
1522	/ Stainless Steel AISI 316L $\varnothing 125$ mm (4.92")

COLOUR **INX**

CODE	/ DESCRIPTION
1523	/ Stainless Steel AISI 316L 125mm(4.92")x 125mm(4.92")

COLOUR **INX**

SPECIFICATION SHEET