

# PEGGY™ CONE

SUSPENSION

TYPE:

PROJECT NAME:

IP20



## Finish

Cone Finish:



White



Black



Matte gold

Acoustic:



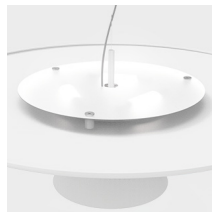
Wool

Uplight and  
downlight

Wool fabric  
acoustic disc.



Canopy detail



Top cover kit for  
R7s version



Peggy: Up light  
emission detail

SPECIFICATION SHEET

# PEGGY™ CONE

SUSPENSION

TYPE:

PROJECT NAME:



Wool



Cod. 650  
Sand



Cod. 659  
Chestnut



Cod. 661  
Curry



Cod. 653  
Mustard yellow



Cod. 651  
Orange



Cod. 657  
Cardinal red



Cod. 654  
Purple



Cod. 655  
Avio blue



Cod. 662  
Turquoise



Cod. 652  
Green



Cod. 660  
Dark green



Cod. 658  
Grey



Cod. 656  
Dark grey

SPECIFICATION SHEET

# PEGGY™ CONE

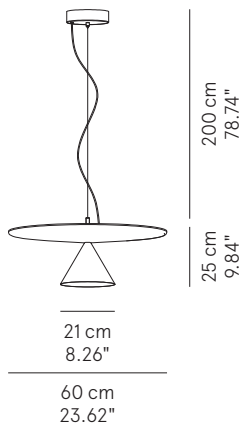
SUSPENSION

**TYPE:**

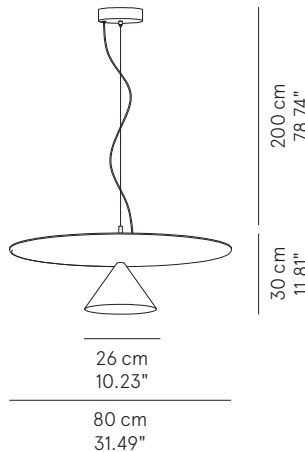
**PROJECT NAME:**

<b>Pendant lamp Cone - D. 60</b>	ø 60 x 25 cm 6 Kg	lamp type 1 x 42W E26 LED + 3 x 75W R7S LED	L82PEGESO060G01
	ø 60 x 25 cm 6 Kg	lamp type 2 led module 17W + 9W luminous efficacy 3755 Lm light colour 2700 K cri >80	L82PEGESO060G02
<b>Pendant lamp Cone - D. 80</b>	ø 80 x 30 cm 8,5 Kg	lamp type 1 x 42W E26 LED + 3 x 105W R7S LED	L82PEGESO080G01
	ø 80 x 30 cm 8,5 Kg	lamp type 2 led module 17W + 18W luminous efficacy 5141 Lm light colour 2700 K cri >80	L82PEGESO080G02
<b>Pendant lamp Cone - D. 100</b>	ø 100 x 35 cm 12 Kg	lamp type 1 x 42W E26 LED + 3 x 105W R7S LED	L82PEGESO100G01
	ø 100 x 35 cm 12 Kg	lamp type 2 led module 17W + 18W luminous efficacy 5287 Lm light colour 2700 K cri >80	L82PEGESO100G02

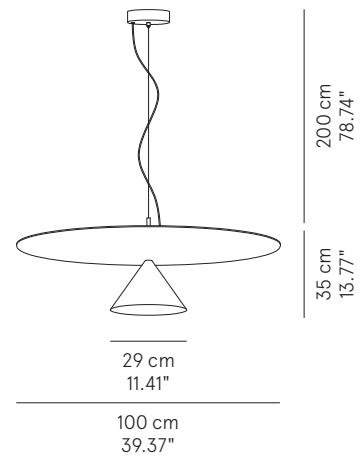
**PEGGY CONE 60**



**PEGGY CONE 80**



**PEGGY CONE 100**



SPECIFICATION SHEET

## ORDERING INFO

Model (Order Code)	Acoustic Finish	Cone Finish	LED	Dimming Options
		<input type="radio"/> White <input type="radio"/> Black <input type="radio"/> Matte Gold	<input type="radio"/> 2700K <input type="radio"/> 3000K <input type="radio"/> 4000K	<input type="radio"/> 120V LTE <input type="radio"/> 120-277V 0-10V

Fixture comes with a 4" backplate that mounts to a standard junction box. E26 version is only compatible with 120V with LTE dimming.

