

PIN™

CEILING

TYPE:

PROJECT NAME:



SPECIFICATION SHEET

Luminart®

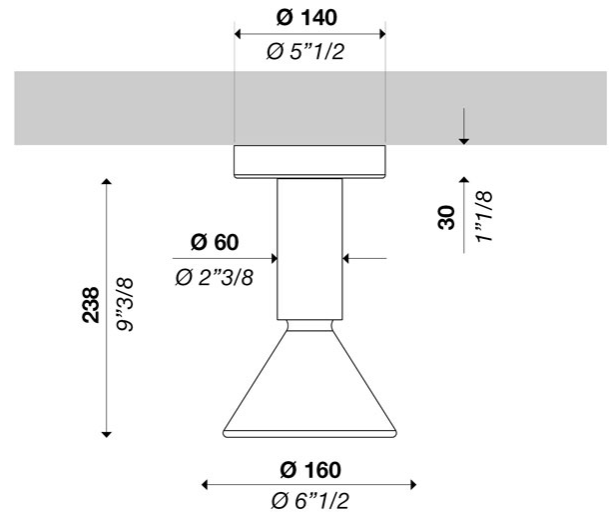
WWW.LUMINARTLIGHTING.COM
Last updated: 12/13/23

PIN™ 160

CEILING

TYPE:

PROJECT NAME:



Ceiling lamp \varnothing 160 mm (6"1/2) with diffused light. Gloss white blown glass diffuser. Metal structure matt white, black or brass coated. LED COB.

Power input: 9W

Light emission direction: Diffused

Materials: Aluminum structure, glass diffuser

Electrical: High efficiency electronic power supply, rated 50,000 hours 120V-277V

Dimming: LTE phase dimming or 0-10V

Structure finish: Matt white, matt black, brass



Light source: LED
3000K: 90CRI
4000K: 90CRI

Degree of protection: IP20

Source lumens: 1406 lm

Delivered lumens: 916 lm

Source efficacy: 155 lm/W

SPECIFICATION SHEET

ORDERING INFO

Model (Order Code)	Structure Finish	LED	Driver Options
<input type="radio"/> L031710216A20000	<input type="radio"/> Matt White <input type="radio"/> Matt Black <input type="radio"/> Brass	<input type="radio"/> 3000K <input type="radio"/> 4000K	<input type="radio"/> 120V Phase Dimming <input type="radio"/> 120V 0-10V Dimming <input type="radio"/> 277V 0-10V Dimming



Luminart®

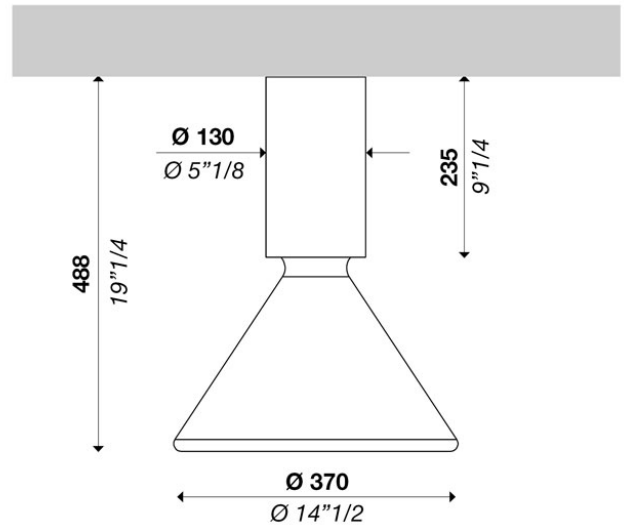
WWW.LUMINARTLIGHTING.COM
Last updated: 12/13/23

PIN™ 370

CEILING

TYPE:

PROJECT NAME:



Ceiling lamp \varnothing 370 mm (14"1/2) with diffused light. Gloss white blown glass diffuser. Metal structure matt white, black or brass coated. LED COB.

Power input: 20W

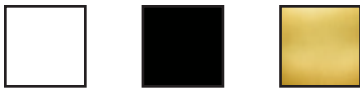
Light emission direction: Diffused

Materials: Aluminum structure, glass diffuser

Electrical: High efficiency electronic power supply, rated 50,000 hours 120V-277V

Dimming: LTE phase dimming or 0-10V

Structure finish: Matt white, matt black, brass



Light source: LED
3000K: 90CRI
4000K: 90CRI

Degree of protection: IP20

SPECIFICATION SHEET

ORDERING INFO

Model (Order Code)	Structure Finish	LED	Driver Options
<input type="radio"/> L031710237A00600	<input type="radio"/> Matt White <input type="radio"/> Matt Black <input type="radio"/> Brass	<input type="radio"/> 3000K <input type="radio"/> 4000K	<input type="radio"/> 120V Phase Dimming <input type="radio"/> 120V 0-10V Dimming <input type="radio"/> 277V 0-10V Dimming



Luminart®

WWW.LUMINARTLIGHTING.COM
Last updated: 12/13/23