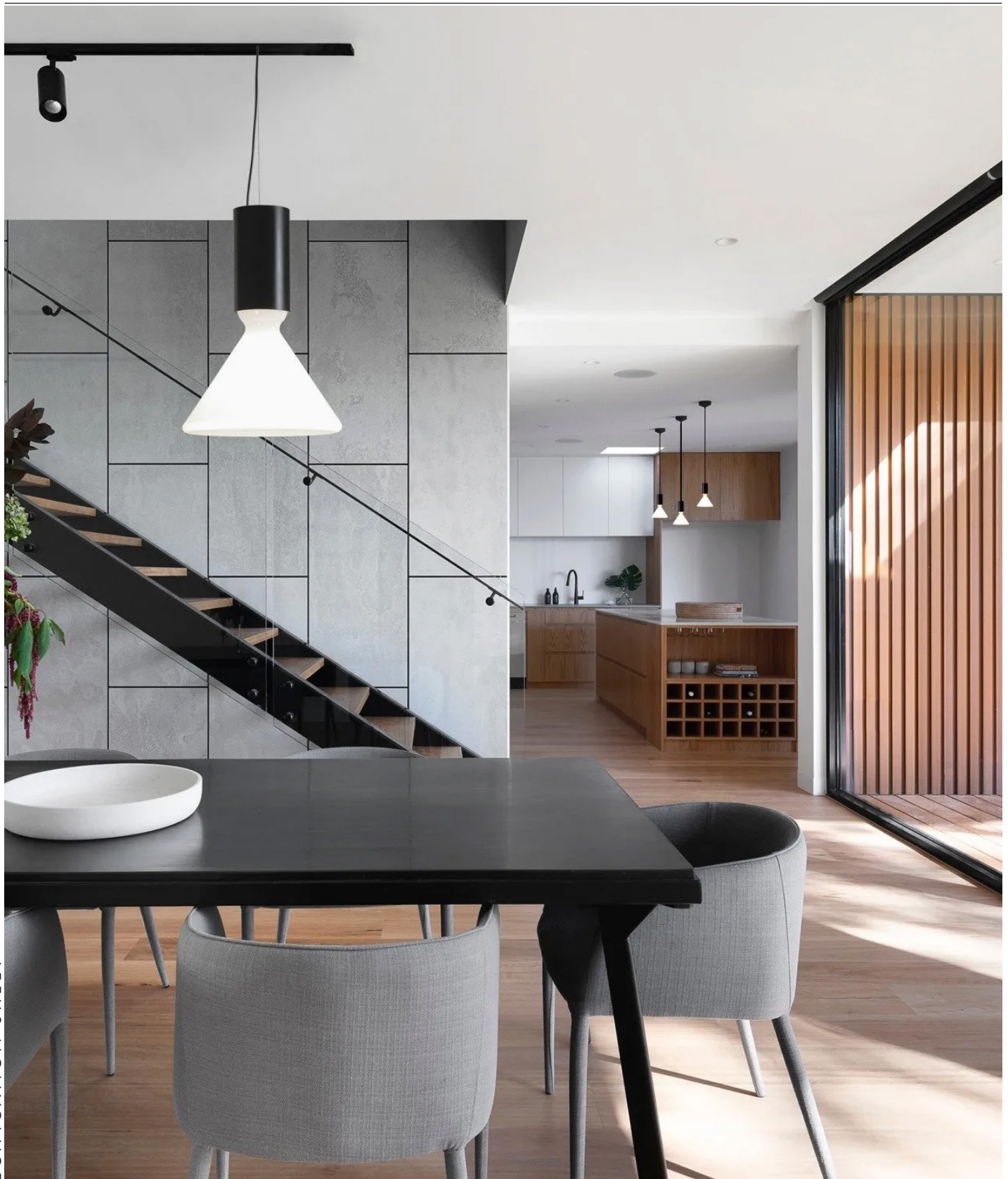


**PIN<sup>TM</sup>**  
SUSPENSION

**TYPE:**

**PROJECT NAME:**



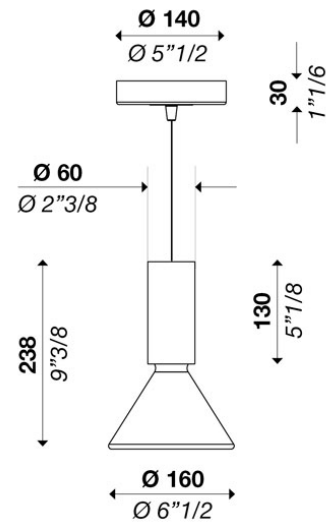
SPECIFICATION SHEET

# PIN™ 160

SUSPENSION

TYPE:

PROJECT NAME:



Hanging lamp Ø 160 mm (6"1/2) with diffused light. Gloss white blown glass diffuser. Metal structure matt white, black or brass coated. Metal ceiling canopy matt white, black or brass coated. LED COB.

**Power input:** 9W

**Light emission direction:** Diffused

**Hanging cables:**

Stainless steel cables standard length 2000 mm (78"3/4),  
Electric cable standard length 2500 mm (100")

**Materials:** Aluminum structure, glass diffuser

**Electrical:** High efficiency electronic power supply, rated  
50,000 hours 120V-277V

**Dimming:** LTE phase dimming or 0-10V

**Structure finish:** Matt white, matt black, brass



**Light source:** LED

3000K: 90CRI

4000K: 90CRI

**Degree of protection:** IP20

**Source lumens:** 1406 lm

**Delivered lumens:** 916 lm

**Source efficacy:** 155 lm/W

SPECIFICATION SHEET

## ORDERING INFO

Model (Order Code)	Structure Finish	LED	Driver Options
<input type="radio"/> L031710316A20000	<input type="radio"/> Matt White <input type="radio"/> Matt Black <input type="radio"/> Brass	<input type="radio"/> 3000K <input type="radio"/> 4000K	<input type="radio"/> 120V Phase Dimming <input type="radio"/> 120V 0-10V Dimming <input type="radio"/> 277V 0-10V Dimming



**Luminart®**

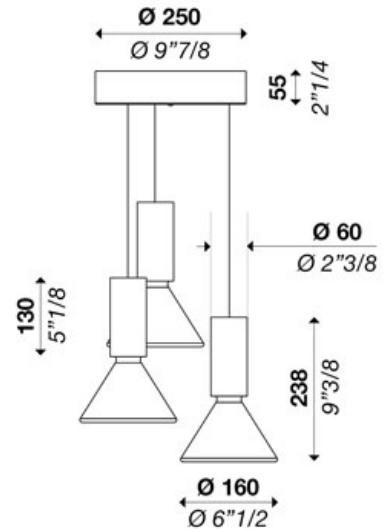
WWW.LUMINARTLIGHTING.COM  
Last updated: 12/13/23

# PIN™ 160x3

SUSPENSION

TYPE:

PROJECT NAME:



Cluster composition of 3 hanging lamps Ø 160 mm (6"1/2) with diffused light. Gloss white blown glass diffuser. Metal structure matt white, black or brass coated. Metal ceiling canopy matt white, black or brass coated. LED COB.

**Power input:** 27W

**Light emission direction:** Diffused

**Hanging cables:**

Stainless steel cables standard length 2000 mm (78"3/4),  
Electric cable standard length 2500 mm (100")

**Materials:** Aluminum structure, glass diffuser

**Electrical:** High efficiency electronic power supply, rated 50,000 hours 120V-277V

**Dimming:** LTE phase dimming or 0-10V

**Structure finish:** Matt white, matt black, brass



**Light source:** LED

3000K: 90CRI

4000K: 90CRI

**Degree of protection:** IP20

**Source lumens:** 4218 lm

**Delivered lumens:** 2748 lm

**Source efficacy:** 156 lm/W

SPECIFICATION SHEET

**ORDERING INFO**

Model (Order Code)	Structure Finish	LED	Driver Options
<input type="radio"/> L031710336A20000	<input type="radio"/> Matt White <input type="radio"/> Matt Black <input type="radio"/> Brass	<input type="radio"/> 3000K <input type="radio"/> 4000K	<input type="radio"/> 120V Phase Dimming <input type="radio"/> 120V 0-10V Dimming <input type="radio"/> 277V 0-10V Dimming

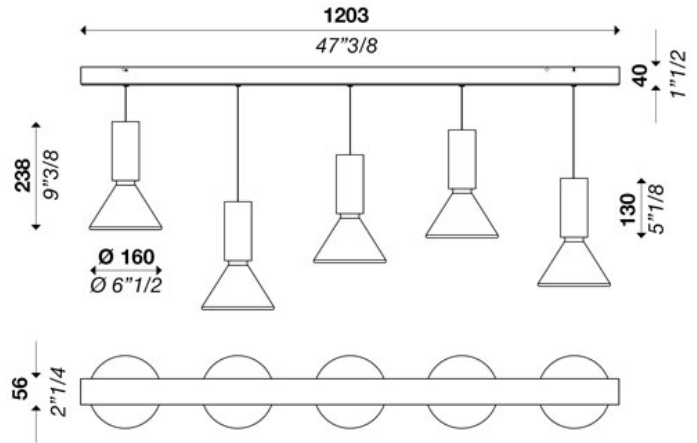


# PIN™ 160x5

SUSPENSION

TYPE:

PROJECT NAME:



Cluster composition of 5 hanging lamps Ø 160 mm (6"1/2) with diffused light. Gloss white blown glass diffuser. Metal structure matt white, black or brass coated. Metal ceiling canopy matt white, black or brass coated. LED COB.

**Power input:** 45W

**Light emission direction:** Diffused

**Hanging cables:**

Stainless steel cables standard length 2000 mm (78"3/4),  
Electric cable standard length 2500 mm (100")

**Materials:** Aluminum structure, glass diffuser

**Electrical:** High efficiency electronic power supply, rated 50,000 hours 120V-277V

**Dimming:** LTE phase dimming or 0-10V

**Structure finish:** Matt white, matt black, brass



**Light source:** LED

3000K: 90CRI

4000K: 90CRI

**Degree of protection:** IP20

**Source lumens:** 7030 lm

**Delivered lumens:** 4580 lm

**Source efficacy:** 156 lm/W

SPECIFICATION SHEET

## ORDERING INFO

Model (Order Code)	Structure Finish	LED	Driver Options
<input type="radio"/> L031710335A20000	<input type="radio"/> Matt White <input type="radio"/> Matt Black <input type="radio"/> Brass	<input type="radio"/> 3000K <input type="radio"/> 4000K	<input type="radio"/> 120V Phase Dimming <input type="radio"/> 120V 0-10V Dimming <input type="radio"/> 277V 0-10V Dimming

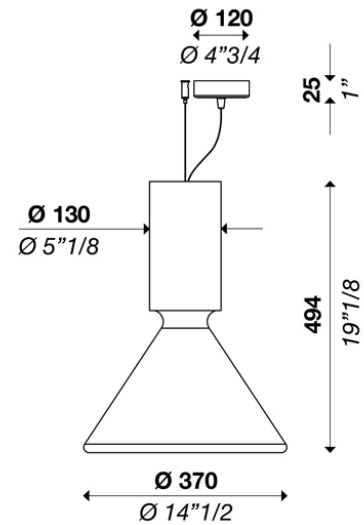


# PIN™ 370

SUSPENSION

TYPE:

PROJECT NAME:



Hanging lamps Ø 370 mm (14"1/2) with diffused light. Gloss white blown glass diffuser. Metal structure matt white, black or brass coated. Metal ceiling canopy matt white, black or brass coated. LED COB.

**Power input:** 20W

**Light emission direction:** Diffused

**Hanging cables:**

Stainless steel cables standard length 2000 mm (78"3/4),  
Electric cable standard length 2500 mm (100")

**Materials:** Aluminum structure, glass diffuser

**Electrical:** High efficiency electronic power supply, rated  
50,000 hours 120V-277V

**Dimming:** LTE phase dimming or 0-10V

**Structure finish:** Matt white, matt black, brass



**Light source:** LED

3000K: 90CRI

4000K: 90CRI

**Degree of protection:** IP20

SPECIFICATION SHEET

## ORDERING INFO

Model (Order Code)	Structure Finish	LED	Driver Options
<input type="radio"/> L031710377A00600	<input type="radio"/> Matt White <input type="radio"/> Matt Black <input type="radio"/> Brass	<input type="radio"/> 3000K <input type="radio"/> 4000K	<input type="radio"/> 120V Phase Dimming <input type="radio"/> 120V 0-10V Dimming <input type="radio"/> 277V 0-10V Dimming

