

POP 04 Ø12™

RECESSED

TYPE:

PROJECT NAME:



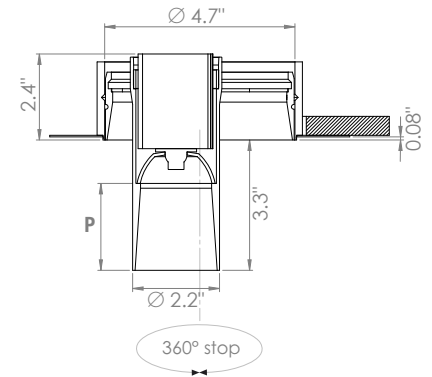
SPECIFICATION SHEET

POP 04 Ø12™

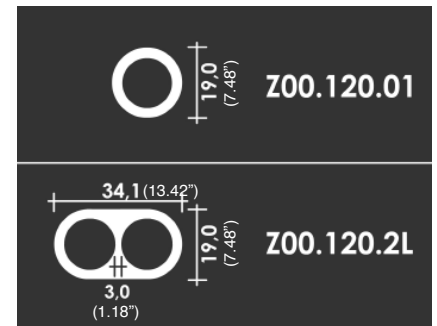
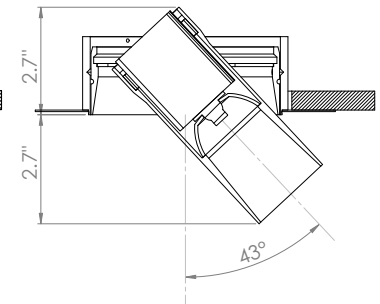
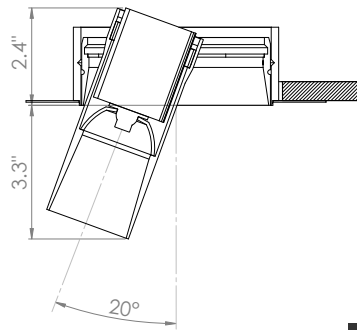
RECESSED

TYPE:

PROJECT NAME:



Code	K°	lm	Watt	lm/W	CRI	▲	IP	P
P04.32M.XX	2700	1115	11,2	100	85	38°	20	1"
P04.33M.XX	3000	1175	11,2	105	85	38°	20	1"
P04.34M.XX	4000	1229	11,2	110	85	38°	20	1"
P04.32S.XX	2700	1115	11,2	100	85	22°	20	1"
P04.33S.XX	3000	1175	11,2	105	85	22°	20	1"
P04.34S.XX	4000	1229	11,2	110	85	22°	20	1"
P04.32T.XX	2700	1115	11,2	100	85	12°	20	1"
P04.33T.XX	3000	1175	11,2	105	85	12°	20	1"
P04.34T.XX	4000	1229	11,2	110	85	12°	20	1"



ORDERING INFO

L17P04.3

1

Model (Order Code)	Power	Finish Options	Optic	Housing	LED	Remote Driver Options
<input type="radio"/> L17P04.3	<input type="radio"/> 1: 11W	<input type="radio"/> 02: White <input type="radio"/> 06: Black	<input type="radio"/> M: 38° <input type="radio"/> S: 22° <input type="radio"/> T: 12°	<input type="radio"/> Z00.120.01 Single <input type="radio"/> Z00.120.2L Double	<input type="radio"/> 2: 2700K <input type="radio"/> 3: 3000K <input type="radio"/> 4: 4000K	<input type="radio"/> LTE: 120V LTE <input type="radio"/> D10: 120-277V 0-10V

SPECIFICATION SHEET

