

POP™
SUSPENSION

TYPE:

PROJECT NAME:



SPECIFICATION SHEET

POP™

SUSPENSION

TYPE:

PROJECT NAME:



Hanging lamp Ø 400mm (15"7/8) with direct light. Spun aluminium structure matt white, black or brass coated outside and matt white coated inside. Brass cylindrical detail. Metal ceiling canopy matt white, black or brass coated and black fabric cable. LED bulb.

Power input: 1x MAX 20W E26

Light emission direction: Direct

Hanging cables: Electric cable standard length 2500mm (100")

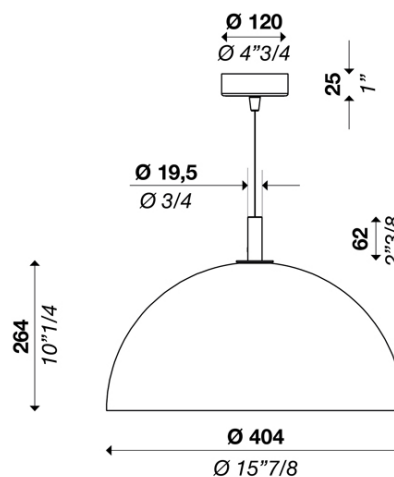
Materials: Aluminium structure

Structure finish: Matt white, matt black, brass



Light source: LED bulb

Degree of protection: IP20



SPECIFICATION SHEET

ORDERING INFO

Model (Order Code)

Structure Finish

L032540301A00600 20W (E26)

- Matt White
- Matt Black
- Brass

