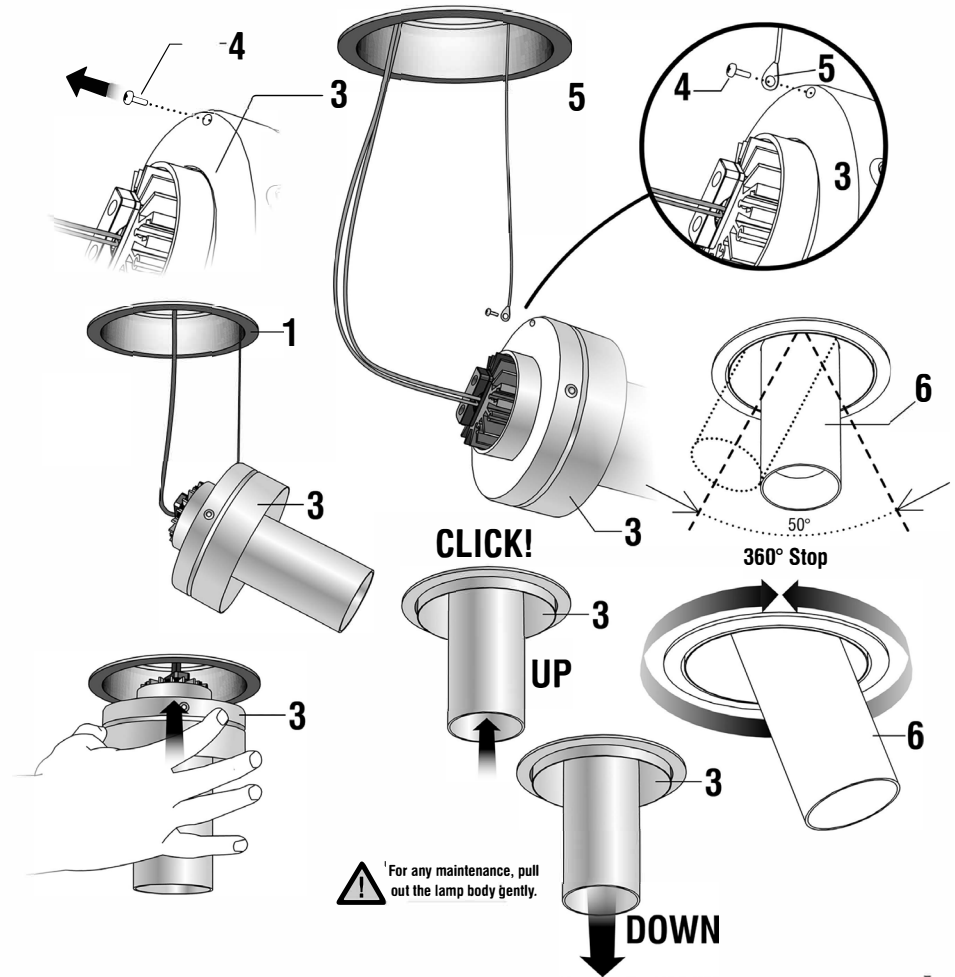
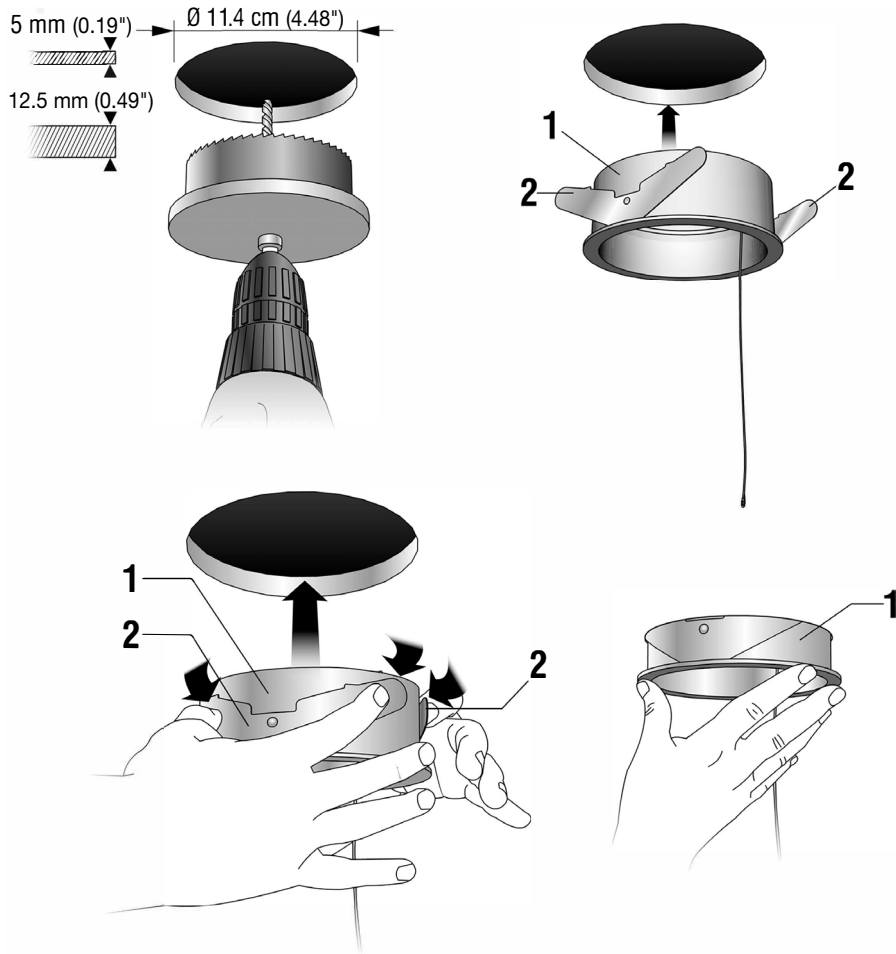


POP™ Y3

RECESSED

TYPE:

PROJECT NAME:



INSTALLATION SHEET

- Drill the ceiling with a cutter corresponding to the diameter 11.4 cm (4.48").
- Bend the springs (2) of the housing (1) to put it into the hole.
- Unscrew the screw (4) from the lamp body.
- Using the screw (4), fix the lamp body (3) to the safety anti-fall cable (5).

- Make the connection between the spot light and the remote driver.
- Put the lamp body (3) into (1), and click up.
- Adjust (6) as needed.
- To replace the LED light bulb, gently remove the body of the lamp (3) down.

Luminart®

WWW.LUMINARTLIGHTING.COM

Last updated: 10/15/24