

PROTO™

POLE

TYPE:

PROJECT NAME:



SPECIFICATION SHEET

PROTO™

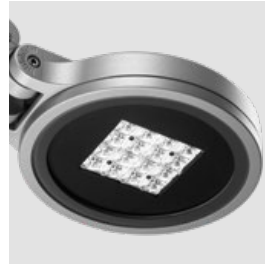
POLE

TYPE:

PROJECT NAME:

Structure

- Lighting body in low-copper grade die-cast aluminum. The transparent ultrawhite tempered front glass is sealed to the closing frame for maximum integrity
- Adjustable hooking bracket in die-cast aluminum
- Color matching side fixing screws in stainless steel



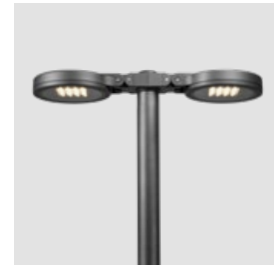
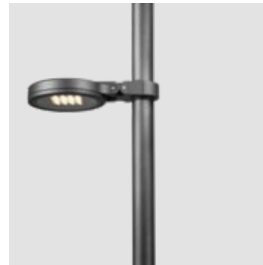
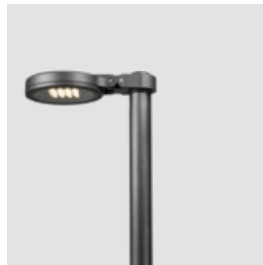
Aesthetic and eclectic

PROTO is a projector for a purposeful use in an aesthetic key and from here defines its technical application value, declining the lighting function with a targeted choice of optics and lenses.



PROTO

- Mains voltage LED modules
- Round symmetrical lenses



Variety of application

All the ways of installation, from the facade to different architectural spaces, are completed with the application on the pole. The connection for Ø 60 (2.36") and 76 mm (2.99") poles allows single or double opposed installation, even on PROTO series poles for illumination of open areas and paths.

PROTO™ SINGLE

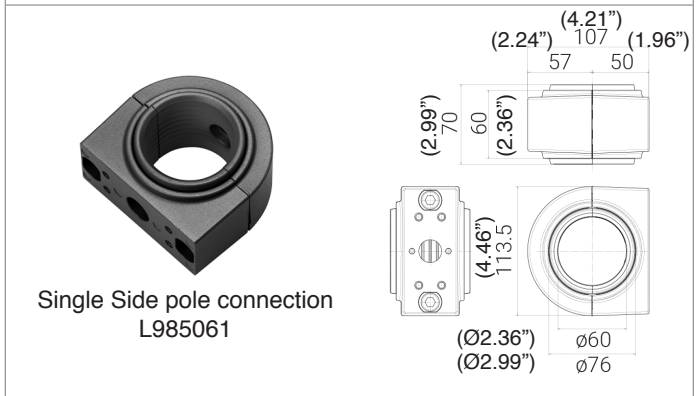
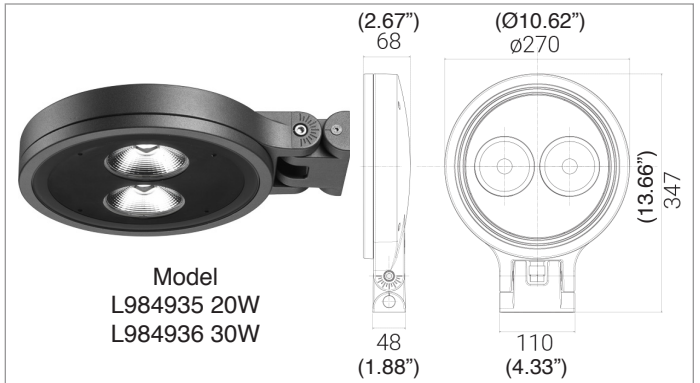
POLE LED - SINGLE

TYPE:

PROJECT NAME:



Outdoor projector for wall, ground and pole installation. Structure in low-copper grade die-cast aluminum. Transparent ultrawhite tempered front glass, sealed to the closing frame for maximum integrity.



Power input: 20W or 30W

Light emission direction: Direct

Pole Options:

Steel Pole 250 cm (98.42"), Steel Pole 300cm (118.11") (see dimension on the last page)

Materials: Aluminum structure, transparent ultrawhite tempered front glass

Electrical: High efficiency electronic power supply, rated 50,000 hours 120V-277V

Dimming: Power supply compatible with 0-10V or LTE dimming

Cable: 1 m (39.37") cable included

Structure finish: Anthracite, Aluminum Grey



Light source: LED

2700K: 80CRI
3000K: 80CRI
4000K: 80CRI

Round symmetric optics: 40° (standard code) / 12° (code + 12) / 90° (code + 90)

Source lumens: 20W: 2200 lm, 30W: 3150 lm

Lumen Output: 20W: 1500 lm, 30W: 2100 lm

SPECIFICATION SHEET

ORDERING INFO

Model (Order Code)	Pole Connection	Structure Finish	Pole Options	Optic Options	LED	Dimming Options
<input type="radio"/> L984935 (2 x 20W)	<input type="radio"/> L985061	<input type="radio"/> AN: Anthracite	<input type="radio"/> L983540: 250cm (98.42")	<input type="radio"/> 40: 40°	<input type="radio"/> 2700K	<input type="radio"/> 120V LTE
<input type="radio"/> L984936 (2 x 30W)		<input type="radio"/> AG: Aluminum Grey	<input type="radio"/> L983545: 300cm (118.11")	<input type="radio"/> 12: 12°	<input type="radio"/> 3000K	<input type="radio"/> 120V 0-10V
				<input type="radio"/> 90: 90°	<input type="radio"/> 4000K	<input type="radio"/> 277V 0-10V



PROTO™ SIDE BY SIDE

POLE LED - SIDE BY SIDE

TYPE:

PROJECT NAME:



Outdoor projector for wall, ground and pole installation. Structure in low-copper grade die-cast aluminum. Transparent ultrawhite tempered front glass, sealed to the closing frame for maximum integrity.

Power input: 2 x 20W or 2 x 30W

Light emission direction: Direct

Pole Options:

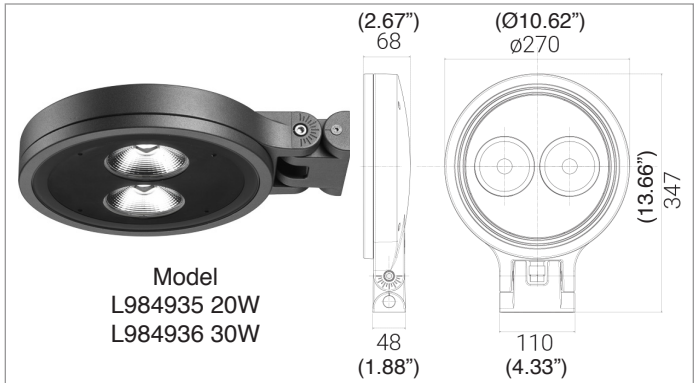
Steel Pole 250 cm (98.42"), Steel Pole 300cm (118.11") (see dimension on the last page)

Materials: Aluminum structure, transparent ultrawhite tempered front glass

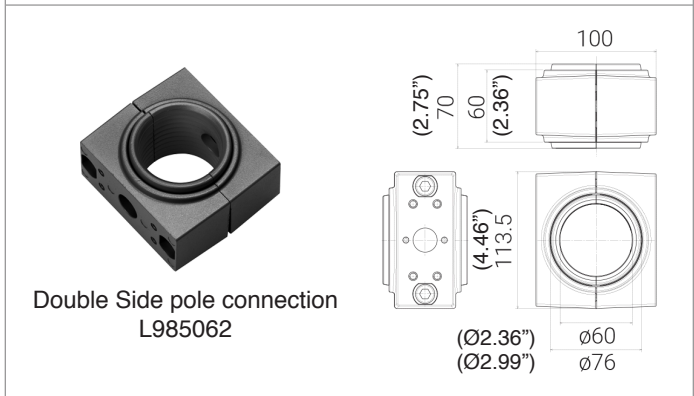
Electrical: High efficiency electronic power supply, rated 50,000 hours 120V-277V

Dimming: Power supply compatible with 0-10V or LTE dimming

Cable: 1 m (39.37") cable included



Model
L984935 20W
L984936 30W



Double Side pole connection
L985062

Structure finish: Anthracite, Aluminum Grey



Light source: LED

2700K: 80CRI
3000K: 80CRI
4000K: 80CRI

Round symmetric optics: 40° (standard code) / 12° (code + 12) / 90° (code + 90)

Source lumens: 20W: 2200 lm, 30W: 3150 lm

Lumen Output: 20W: 1500 lm, 30W: 2100 lm

SPECIFICATION SHEET

ORDERING INFO

Quantity x Model (Order Code)	Pole Connection	Structure Finish	Pole Options	Optic Options	LED	Dimming Options
<input type="radio"/> 2 x L984935 (2 x 20W)	<input type="radio"/> L985062	<input type="radio"/> AN: Anthracite	<input type="radio"/> L983540: 250cm (98.42")	<input type="radio"/> 40: 40°	<input type="radio"/> 2700K	<input type="radio"/> 120V LTE
<input type="radio"/> 2 x L984936 (2 x 30W)		<input type="radio"/> AG: Aluminum Grey	<input type="radio"/> L983545: 300cm (118.11")	<input type="radio"/> 12: 12° <input type="radio"/> 90: 90°	<input type="radio"/> 3000K <input type="radio"/> 4000K	<input type="radio"/> 120V 0-10V <input type="radio"/> 277V 0-10V



Luminart®

WWW.LUMINARTLIGHTING.COM

PROTO™ OPPOSITE

POLE LED - OPPOSITE

TYPE:

PROJECT NAME:



Outdoor projector for wall, ground and pole installation. Structure in low-copper grade die-cast aluminum. Transparent ultrawhite tempered front glass, sealed to the closing frame for maximum integrity.

Power input: 2 x 20W or 2 x 30W

Light emission direction: Direct

Pole Options:

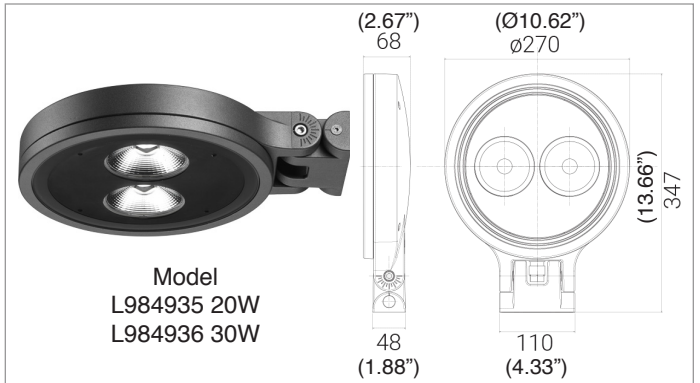
Steel Pole 250 cm (98.42"), Steel Pole 300cm (118.11") (see dimension on the last page)

Materials: Aluminum structure, transparent ultrawhite tempered front glass

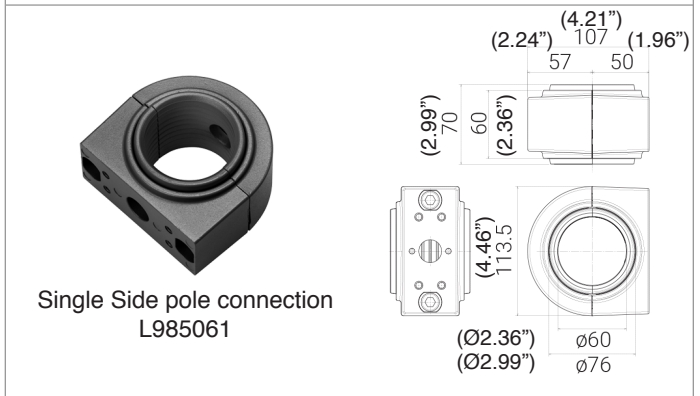
Electrical: High efficiency electronic power supply, rated 50,000 hours 120V-277V

Dimming: Power supply compatible with 0-10V or LTE dimming

Cable: 1 m (39.37") cable included



Model
L984935 20W
L984936 30W



Single Side pole connection
L985061

Structure finish: Anthracite, Aluminum Grey



Light source: LED

2700K: 80CRI
3000K: 80CRI
4000K: 80CRI

Round symmetric optics: 40° (standard code) / 12° (code + 12) / 90° (code + 90)

Source lumens: 20W: 2200 lm, 30W: 3150 lm

Lumen Output: 20W: 1500 lm, 30W: 2100 lm

SPECIFICATION SHEET

ORDERING INFO

Quantity x Model (Order Code)	Pole Connection	Structure Finish	Pole Options	Optic Options	LED	Dimming Options
<input type="radio"/> 2 x L984935 (2 x 20W)	<input type="radio"/> 2 x L985061	<input type="radio"/> AN: Anthracite	<input type="radio"/> L983540: 250cm (98.42")	<input type="radio"/> 40: 40°	<input type="radio"/> 2700K	<input type="radio"/> 120V LTE
<input type="radio"/> 2 x L984936 (2 x 30W)		<input type="radio"/> AG: Aluminum Grey	<input type="radio"/> L983545: 300cm (118.11")	<input type="radio"/> 12: 12° <input type="radio"/> 90: 90°	<input type="radio"/> 3000K <input type="radio"/> 4000K	<input type="radio"/> 120V 0-10V <input type="radio"/> 277V 0-10V



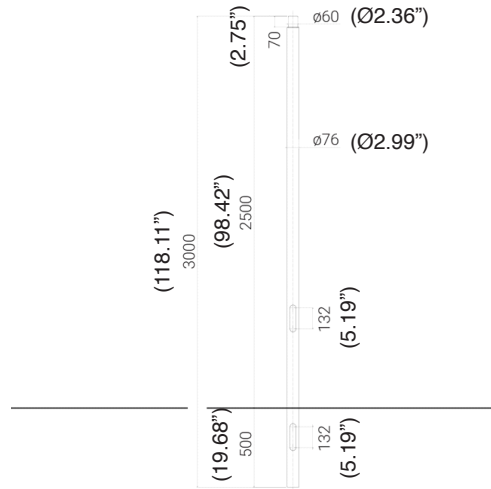
TYPE:

PROJECT NAME:

Steel Pole 250cm (98.42")

CODE NO. L983504 **AN** AN = Anthracite

Ø 76 mm
(Ø2.99")
H 2500 / 3000 mm
(98.42" / 118.11")



Steel Pole 300cm (118.11")

CODE NO. L983505 **AN** AN = Anthracite

Ø 76 mm
(Ø2.99")
H 3000 / 3500 mm
(118.11" / 137.79")

