

# RADAR™

## SUSPENSION

TYPE:

PROJECT NAME:

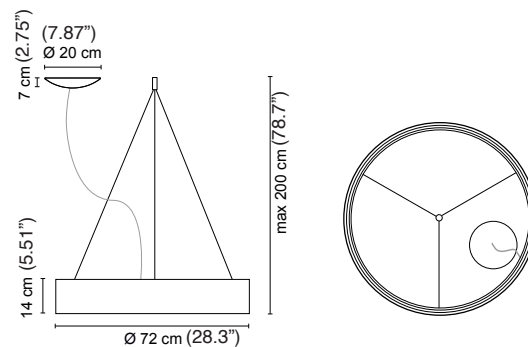


.01 White



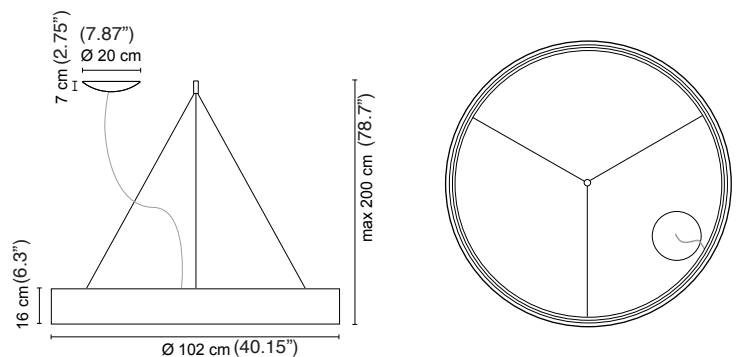
.02.01 Out black / in white

<b>L671570</b>	2,50 kg
<b>.01</b> White	
<b>.02.01</b> Out black / in white	
<b>.02.21</b> Out black / in satin gold	
<b>/W</b> LED 37,5W 5000lm 4000K CRI>90	
<b>/WW</b> LED 37,5W 4958lm 3000K CRI>90	
<b>/XW</b> LED 37,5W 4479lm 2700K CRI>90	



SPECIFICATION SHEET

<b>L671571</b>	3 kg
<b>.01</b> White	
<b>.02.01</b> Out black / in white	
<b>.02.21</b> Out black / in satin gold	
<b>/W</b> LED 54W 7200lm 4000K CRI>90	
<b>/WW</b> LED 54W 7140lm 3000K CRI>90	
<b>/XW</b> LED 54W 6450lm 2700K CRI>90	



# RADAR™

SUSPENSION

TYPE:

PROJECT NAME:



.02.21 Out black / in satin gold

SPECIFICATION SHEET

**Luminart®**

WWW.LUMINARTLIGHTING.COM