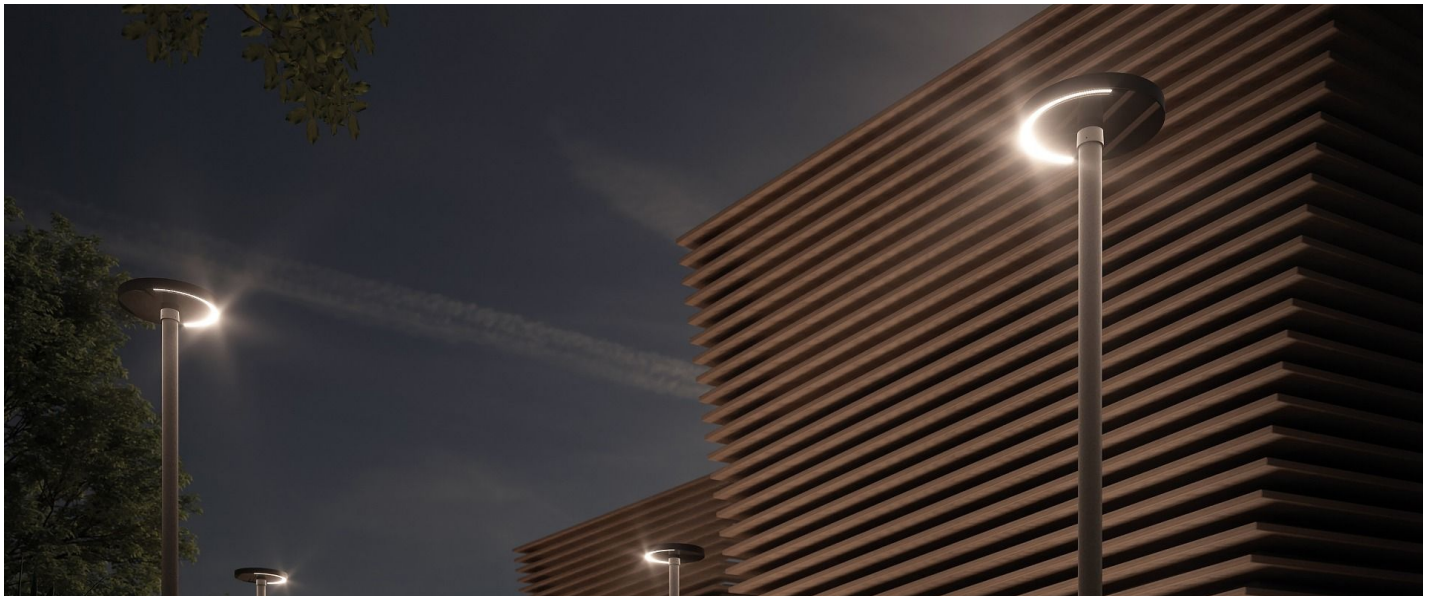


RADIUS™ 180

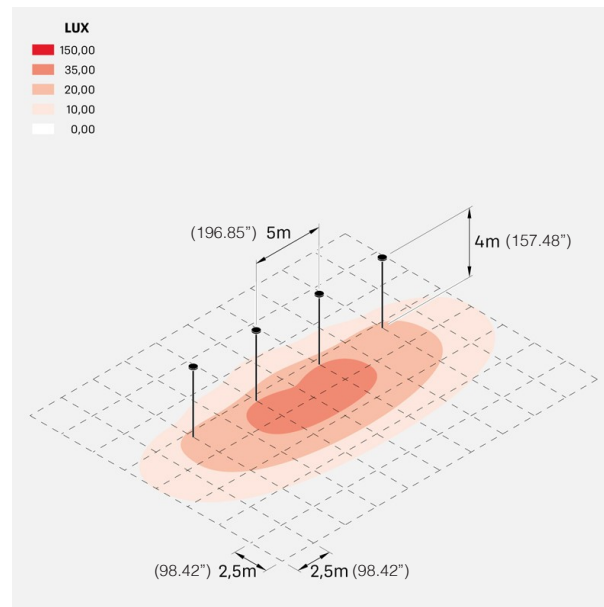
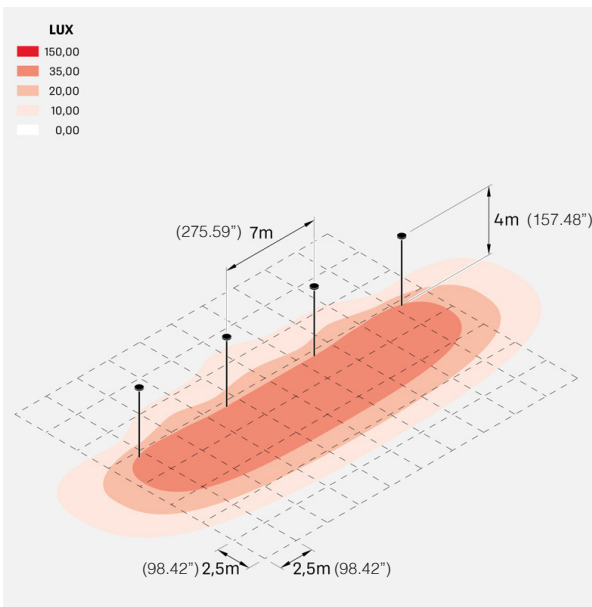
POLE

TYPE:

PROJECT NAME:



SPECIFICATION SHEET



RADIUS™ 180

POLE

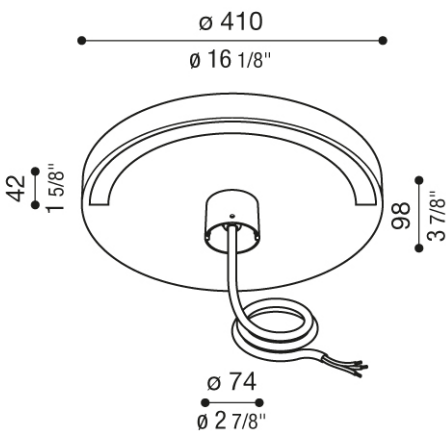
TYPE:

PROJECT NAME:

Technical information:

Installation:	Pole Ø60 (2.36")
Material:	Aluminum
Treatment:	Treatment
Diffuser type:	Transparent glass
Lamp type:	LED
CRI:	>80
LB Factor:	LM90B10 - 60.000
Power consumption (Watt):	26 / 52
Lumen:	2800 / 6100
Type of protection:	IP 65

Recommended for installation on Ø 60 (2.36") metal poles. Not suitable for Still poles.



SPECIFICATION SHEET

ORDERING INFO

Model (Order Code)	Structure Finish	Power Options	LED	Dimming Options
<input type="radio"/> L53 RADIUS 180	<input type="radio"/> B: Black RAL 9005 <input type="radio"/> G: Grey RAL 9006 <input type="radio"/> A: Anthracite RAL 7021 <input type="radio"/> C: Corten RAL 8003	<input type="radio"/> 26W <input type="radio"/> 52W	<input type="radio"/> 2200K <input type="radio"/> 2700K <input type="radio"/> 3000K <input type="radio"/> 4000K	<input type="radio"/> 120V LTE <input type="radio"/> 120V 0-10V <input type="radio"/> 277V 0-10V

