

RETTANGOLO™ SLIM

INSTALLATION INSTRUCTIONS

TYPE:

PROJECT NAME:

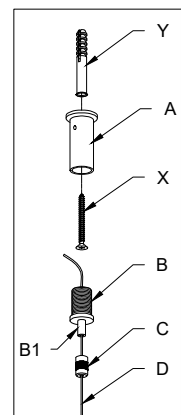
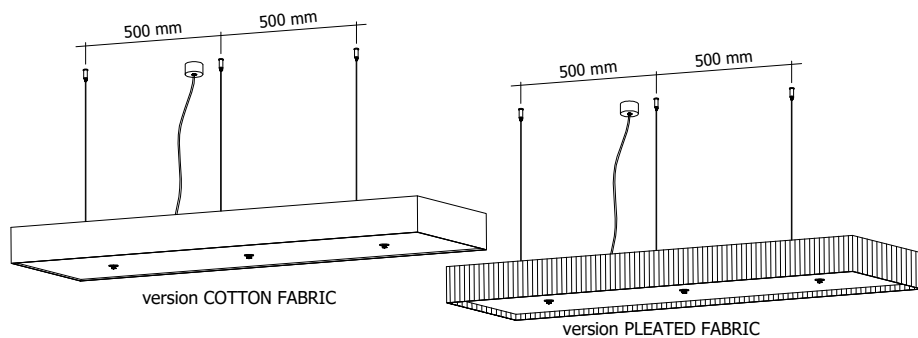


Fig. 1

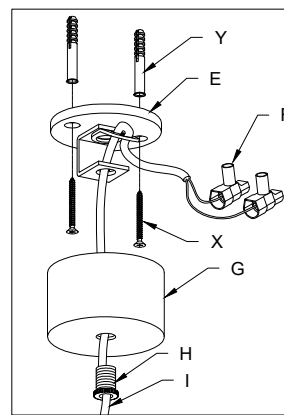
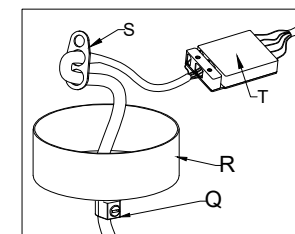


Fig. 2



DIMMABLE VERSION Fig. 5

INSTRUCTION

- Switch off the power or pull the plug out.
- Fix on the ceiling the details (A) with the screws (X) and the dowels (Y) (Fig. 1).
- Screw the detail (B) to the detail (A). Regulate the steel cable (D) by unscrewing the safety (C). Press the little piston (B1) and place the lamp at the wanted height, then release the little piston (B1) and close again the safety (C) (Fig. 1).
- Pull the network cable through the center hole of the disc (E) and fix on the ceiling the disc with the screws (X) and the dowels (Y) (Fig. 2).
- Connect the network cable on the clamp (F) according to the polarity.
- Lift up the ceiling rose (G) until it completely lean against the ceiling; screw the detail (H) (Fig. 2).
- Insert the lamp on the lamp sockets. (Fig. 6).
- To insert the Plexiglas finishing underneath (N): place the Plexiglas panel by fitting it inside the lampshade (L) and then lean it by fall (Fig. 4).

Attention: in the pleated fabric version the Plexiglas doesn't lean on the external border, but it stays 1 cm from the border.

- Fix the Plexiglas panel to the threaded tubes (M) by screwing the details (P) and the washers (O) (Fig. 3).

DIMMABLE VERSION

- Fix on the ceiling the detail (S) (Fig. 5).
- Connect the network cable on the clamp (T) according to the polarity.
- Unscrew the detail (Q) and lift up the ceiling rose (R) until it completely lean against the ceiling; screw the detail (Q).

ATTENTION

The products of our production are suitable for the using in usual surroundings with standard temperature and humidity levels.

All the operations have to be done with the power off.

CLEANING

Switch off the power or pull the plug out.

For the periodical cleaning of the lamp use always gloves and a soft cloth. Use spray for glasses or all-purpose.

Avoid absolutely to fold parts which are not expected for folding, in this case welded parts are going to be damaged.

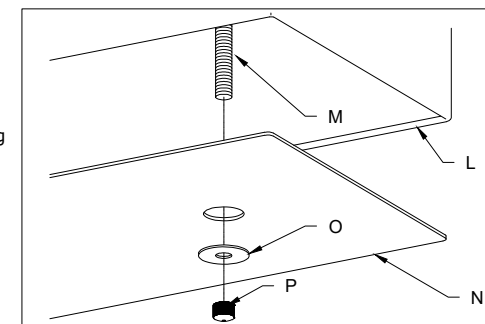
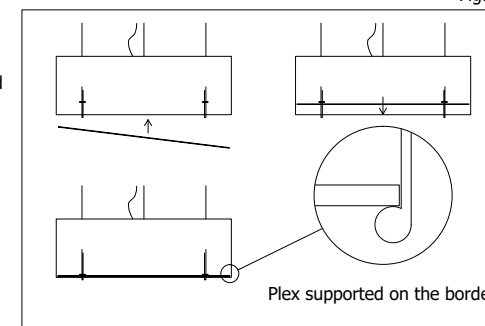
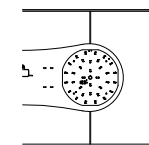


Fig. 3



Plex supported on the border

Fig. 4



LED Fig. 6