

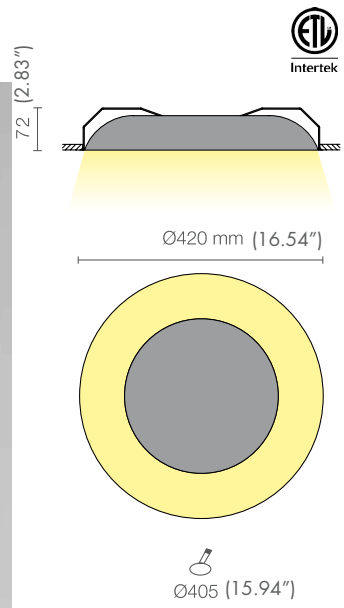
RING™ 405

Recessed LED


TYPE:

PROJECT NAME:

MODEL #	FINISH	LED COLOR	OPTIC	DRIVER	VOLTAGE
---------	--------	-----------	-------	--------	---------




L255689.30  LED 20W 3000K 2000lm 700mA CRI>80 A+  147/486

L255689.40  LED 20W 4000K 2200lm 700mA CRI>80 A+

Recessed luminaire for use with a high efficiency LED module, made from epoxy powder coated finish aluminium stabilized with UV rays and a super pure 99,9% brushed and polished aluminium reflector. The light source is positioned to provide discreet and effective lighting without glare. The unit includes a driver. The degree of protection against the penetration of dust, solid objects and liquids is IP23.

SPECIFICATION SHEET

08  Bianco satinato RAL 9003
Frosted white RAL 9003

22  Grigio RAL 9006
Grey RAL 9006

Included: driver
Photobiological risk group 0,
in compliance with Standard EN 62471

VOLTAGE 120V 220V 277V

LEDOLOGY®

A **Luminart** BRAND

WWW.LUMINARTLIGHTING.COM

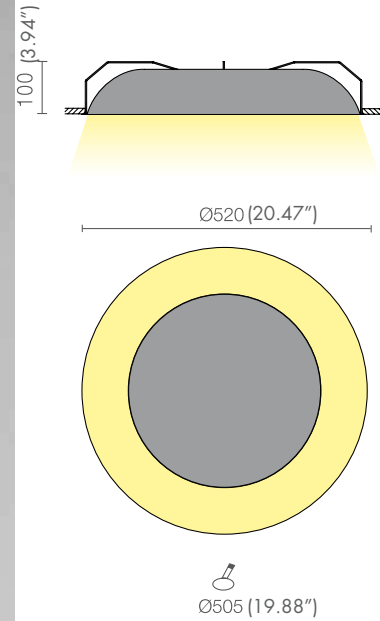
RING™ 505

Recessed LED

TYPE:

PROJECT NAME:

MODEL #	FINISH	LED COLOR	OPTIC	DRIVER	VOLTAGE
---------	--------	-----------	-------	--------	---------



L255690.30		LED	30W	3000K	2900lm	700mA	CRI>80	A+		148/486
L255690.40		LED	30W	4000K	3300lm	700mA	CRI>80	A+		
L255690.30/DIMM2		LED	30W	3000K	2900lm	700mA	CRI>80	A+		148/486
L255690.40/DIMM2		LED	30W	4000K	3300lm	700mA	CRI>80	A+		

Recessed luminaire for use with a high efficiency LED module, made from epoxy powder coated finish aluminium stabilized with UV rays and a super pure 99,9% brushed and polished aluminium reflector. The light source is positioned to provide discreet and effective lighting without glare. The unit includes a driver. The degree of protection against the penetration of dust, solid objects and liquids is IP23.

SPECIFICATION SHEET

08 Bianco satinato RAL 9003
Frosted white RAL 9003

22 Grigio RAL 9006
Grey RAL 9006

Included: driver
Photobiological risk group 0,
in compliance with Standard EN 62471,

VOLTAGE 120V 220V 277V

LEDOLOGY®

A **Luminart** BRAND

WWW.LUMINARTLIGHTING.COM

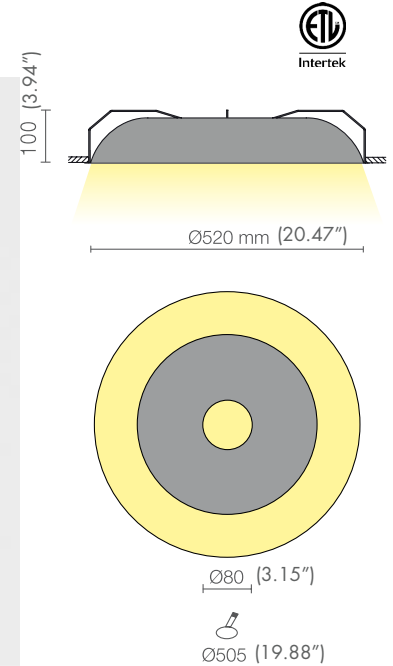
RING™ D505

Recessed Double LED

TYPE:

PROJECT NAME:

MODEL #	FINISH	LED COLOR	OPTIC	DRIVER	VOLTAGE
---------	--------	-----------	-------	--------	---------



L25 5693.30		LED	50W	3000K	5100lm	500/700mA	CRI>80	A+		149/486
L25 5693.40		LED	50W	4000K	5600lm	500/700mA	CRI>80	A+		

Recessed luminaire made from epoxy powder coated finish aluminium stabilized with UV rays with super pure 99,9% aluminium reflector with a metallic or painted finish. Double light source, one is positioned to provide discreet and effective light without glare, while the second is a spot with a Chip On Board technology high efficiency LED source with metallic polycarbonate reflector. The unit includes two driver for double switch use. The degree of protection against the penetration of dust, solid objects and liquids is IP23.

SPECIFICATION SHEET

- 08 Bianco satinato RAL 9003
Frosted white RAL 9003
- 22 Grigio RAL 9006
Grey RAL 9006

Included: driver
Photobiological risk group 1,
in compliance with Standard EN 62471

VOLTAGE 120V 220V 277V

LEDOLOGY®

A **Luminart®** BRAND

WWW.LEDOLOGY.COM