

RING TONDA™

CEILING / WALL

TYPE:

PROJECT NAME:

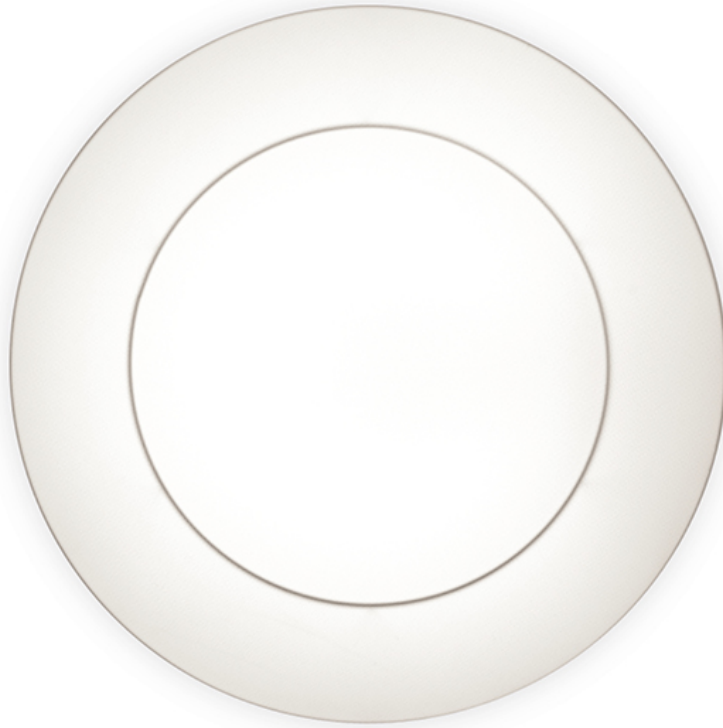
Finish

Fabric material:



Lycra

Fabric lampshade,
metal structure



IP20



* on demand

SPECIFICATION SHEET



Lycra



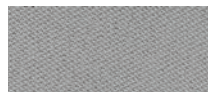
Cod. 250
White



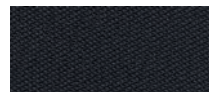
Cod. 263
Sand



Cod. 264
Yellow



Cod. 252
Grey



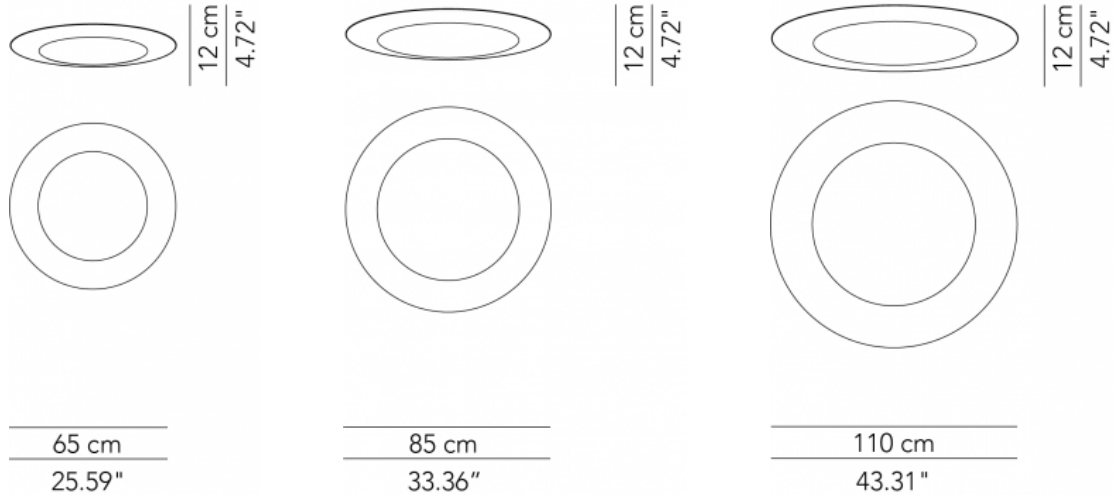
Cod. 262
Gunmetal grey

RING TONDA™

CEILING / WALL

TYPE:

PROJECT NAME:



Wall/ ceiling lamp - D. 65	ø 65 x 12 cm 5 Kg	lamp type 1 led module 23 W luminous efficacy 3628 Lm light colour 2700 K DIM dali / triac	L82RITEAP065L04
Wall/ ceiling lamp - D. 85	ø 85 x 12 cm 7 Kg	lamp type 1 led module 57 W luminous efficacy 8750 Lm light colour 2700 K DIM dali	L82RITEAP085L09
Wall/ ceiling lamp - D. 110	ø 110 x 12 cm 7 Kg	lamp type 1 led module 88,2 W luminous efficacy 12380 Lm light colour 2700 K DIM dali	L82RITEAP110L07

SPECIFICATION SHEET

ORDERING INFO

Model (Order Code)	Finish Options	LED	Driver Options
<input type="radio"/> L82RITEAP065L04 23W	<input type="radio"/> 250: White	<input type="radio"/> 27: 2700K	<input type="radio"/> 120V LTE
<input type="radio"/> L82RITEAP085L09 57W	<input type="radio"/> 263: Sand	<input type="radio"/> 30: 3000K	<input type="radio"/> 120V-277V 0-10V
<input type="radio"/> L82RITEAP110L07 88W	<input type="radio"/> 264: Yellow	<input type="radio"/> 40: 4000K	
	<input type="radio"/> 252: Grey		
	<input type="radio"/> 262: Gunmetal Grey		

