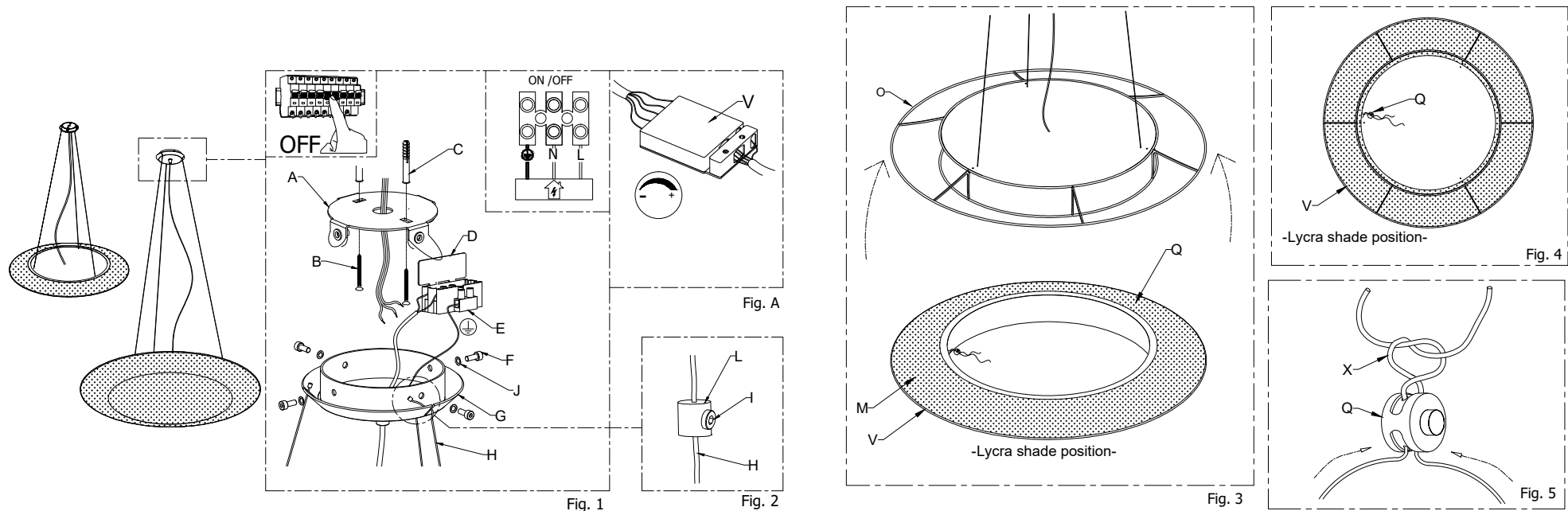


RING TONDA™

INSTALLATION INSTRUCTIONS

TYPE:

PROJECT NAME:



INSTRUCTION

- Switch off the power or pull the plug out.
- Fix the bracket (A) with screws (B) and dowels (C) on the ceiling (Fig. 1).
- Connect the network cables on the device (E) by checking the polarity (Fig. 1).
- Version Dimmable connect the cables inside the box (V) matching the polarity, and close the box. (Fig. A).
- DIAGRAM OF CONNECTIONS DIMMABLE see attached sheet.
- Close the ceiling rose (G) by screwing the screws (F), the washer (J) to the bracket (A) (Fig. 1).
- Hang up the three steel cables (H) to the ceiling rose (G) (Fig. 1).
- To regulate the position of the lamp completely unscrew the detail (I) and take out the cylinder cable lock (L); regulate the cables, then close again the pin (I) and cut the cable in excess (Fig. 2).
- Fit the lycra shade (M) on the structure (O) (Fig.3)
- Align the red references of lycra (P) on the structure (O) (Fig.4)
- Stretch the lycra (M) till the sewing (V) overlaps the outer frame ring (O), then pull the elastic cord and place the locking clip (Q) close its exit hole (Fig.5).
- Perform safety knot (X) on the elastic rope after the clip (Q) (Fig.5).

ATTENTION

The products of our production are suitable for the using in usual surroundings with standard temperature and humidity levels.

All the operations have to be done by a technician.

CLEANING

Switch off the power or pull the plug out.

For the periodical cleaning of the lamp use always gloves and a soft cloth (for glossy surfaces) or a feather duster for the lampshade in fabric or pleated fabric.

Don't use aggressive solvents or alcohol. Avoid absolutely to fold parts which are not expected for folding, in this case welded parts are going to be damaged.