

# RING TONDA™

SUSPENSION

TYPE:

PROJECT NAME:

## Finish

Fabric material:



Lycra

Fabric lampshade,  
metal structure



IP20



Removable and  
washable at 30°  
lycra, class M1



Canopy detail

SPECIFICATION SHEET

\* on demand

\*\* cable on measure



Lycra



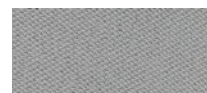
Cod. 250  
White



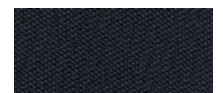
Cod. 263  
Sand



Cod. 264  
Yellow



Cod. 252  
Grey



Cod. 262  
Gunmetal grey

**Luminart®**

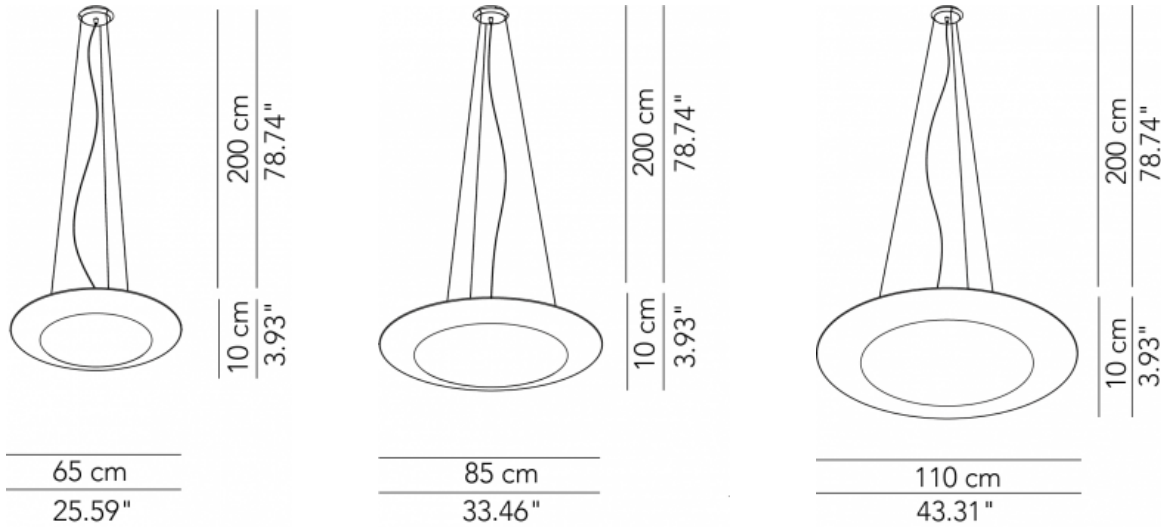
WWW.LUMINARTLIGHTING.COM  
Last updated: 08/14/24

# RING TONDA™

SUSPENSION

TYPE:

PROJECT NAME:



<b>Pendant lamp - D. 65</b>	ø 65 x 10 cm 5 Kg	lamp type 1 led module 23 W luminous efficacy 3628 Lm light colour 2700 K DIM dali / triac	L82RITESO065L04
<b>Pendant lamp - D. 85</b>	ø 85 x 10 cm 7 Kg	lamp type 1 led module 57 W luminous efficacy 8750 Lm light colour 2700 K DIM dali	L82RITESO085L09
<b>Pendant lamp - D. 110</b>	ø 110 x 10 cm 10 Kg	lamp type 1 led module 88,2 W luminous efficacy 12380 Lm light colour 2700 K DIM dali	L82RITESO110L07

Fixture comes with a 4" backplate that mounts to a standard junction box.

SPECIFICATION SHEET

## ORDERING INFO

Model (Order Code)	Finish Options	LED	Driver Options
<input type="radio"/> L82RITESO065L04 23W	<input type="radio"/> 250: White	<input type="radio"/> 27: 2700K	<input type="radio"/> 120V LTE
<input type="radio"/> L82RITESO085L09 57W	<input type="radio"/> 263: Sand	<input type="radio"/> 30: 3000K	<input type="radio"/> 120V-277V 0-10V
<input type="radio"/> L82RITESO110L07 88W	<input type="radio"/> 264: Yellow	<input type="radio"/> 40: 4000K	
	<input type="radio"/> 252: Grey		
	<input type="radio"/> 262: Gunmetal Grey		



**Luminart®**

WWW.LUMINARTLIGHTING.COM