

RING TONDA™

SUSPENSION

TYPE:

PROJECT NAME:

Finish

Fabric material:



Lycra

Fabric lampshade,
metal structure



IP20



Removable and
washable at 30°
lycra, class M1



Canopy detail

SPECIFICATION SHEET

* on demand

** cable on measure



Lycra



Cod. 250
White



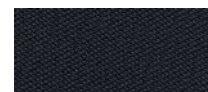
Cod. 263
Sand



Cod. 264
Yellow



Cod. 252
Grey



Cod. 262
Gunmetal grey

Luminart®

WWW.LUMINARTLIGHTING.COM
Last updated: 11/10/20

RING TONDA™

SUSPENSION

TYPE:

PROJECT NAME:

Medium suspension lamp - D. 65	ø 65 x 10 cm 5 Kg	lamp type 1 led module 29.3W luminous efficacy 3900 Lm light colour 2700 K cri >80	L82RITESO065L04
Large suspension lamp - D. 85	ø 85 x 10 cm 7 Kg	lamp type 1 led module 35W luminous efficacy 5600 Lm light colour 2700 K cri >80	L82RITESO085L09
Large suspension lamp - D. 85	ø 85 x 10 cm 7 Kg	lamp type 1 led module 88.2W luminous efficacy 11780 Lm light colour 2700 K cri >80	L82RITESO085L07
Maxi suspension lamp - D. 110	ø 110 x 10 cm 10 Kg	lamp type 1 led module 88.2W luminous efficacy 11780 Lm light colour 2700 K cri >80	L82RITESO110L07

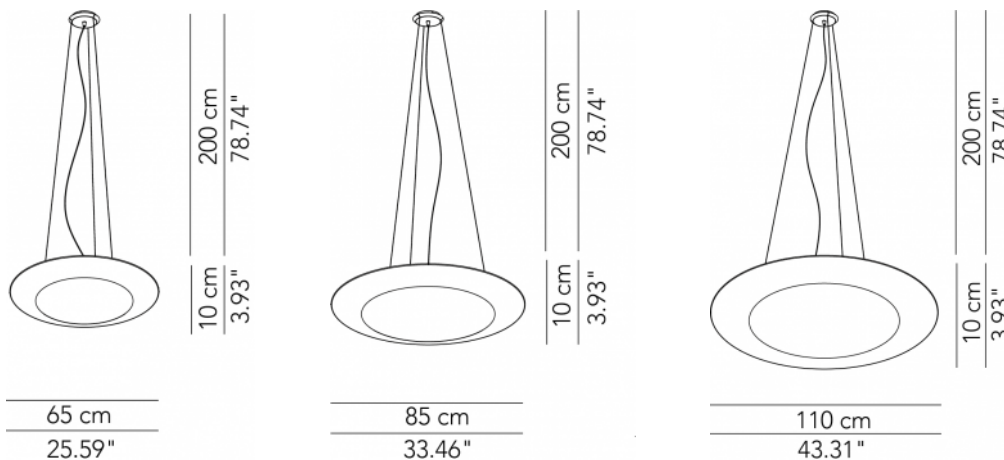
ORDERING INFO

Model (Order Code)	Finish	LED	Voltage	Dimming
		<input type="radio"/> 2700K	<input type="radio"/> 120V	<input type="radio"/> LTE (Leading/Trailing Edge Dim)
		<input type="radio"/> 3000K	<input type="radio"/> 277V	<input type="radio"/> 0-10V (0-10V)
		<input type="radio"/> 4000K		



Fixture comes with a 4" backplate that mounts to a standard junction box. Please note: 277V is only compatible with 0-10V dimming.

SPECIFICATION SHEET



Luminart®

WWW.LUMINARTLIGHTING.COM
Last updated: 11/10/20