

RITMO™

SUSPENSION

TYPE:

PROJECT NAME:



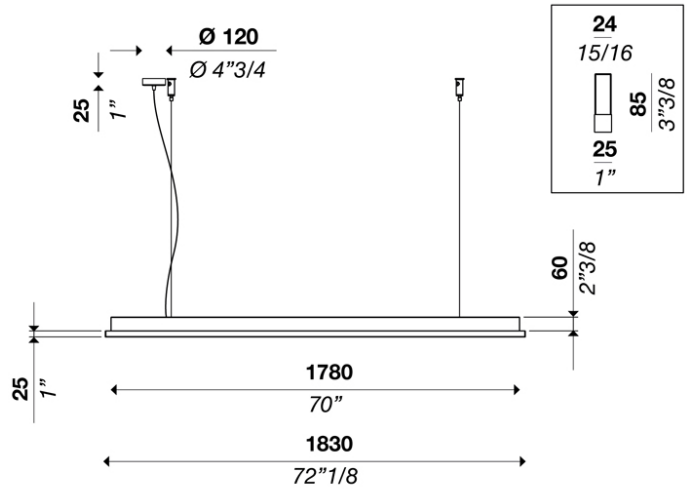
SPECIFICATION SHEET

RITMO™ 1800

SUSPENSION

TYPE:

PROJECT NAME:



Hanging lamp with direct light. Aluminum structure matt white, black or brass coated. Opal polycarbonate or transparent prismatic diffuser. Metal ceiling canopy matt white, black or brass coated. Strip LED.

Diffuser options: Opal, transparent prismatic



Power input: 43W

Structure finish: Matt white, matt black, brass



Light emission direction: Direct

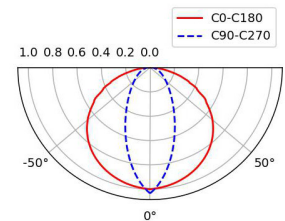
Hanging cables:

Stainless steel cables standard length 2000 mm (78"3/4),
Electric cable standard length 2500 mm (100")

Materials: Aluminum structure, opal transparent polycarbonate or transparent prismatic PMMA diffuser

Light source: LED

3000K: 90CRI
4000K: 90CRI



Electrical: High efficiency electronic power supply, rated 50,000 hours 120V-277V

Degree of protection: IP20

Source lumens: 6407 lm

Dimming: LTE phase dimming or 0-10V

Delivered lumens: 4436 lm

Source efficacy: 149 lm/W

SPECIFICATION SHEET

ORDERING INFO

Model (Order Code)	Structure Finish	Diffuser Options	LED	Driver Options
<input type="radio"/> L032570301A20100	<input type="radio"/> Matt White <input type="radio"/> Matt Black <input type="radio"/> Brass	<input type="radio"/> Opal <input type="radio"/> Transparent prismatic	<input type="radio"/> 3000K <input type="radio"/> 4000K	<input type="radio"/> 120V Phase Dimming <input type="radio"/> 120V 0-10V Dimming <input type="radio"/> 277V 0-10V Dimming



Luminart®

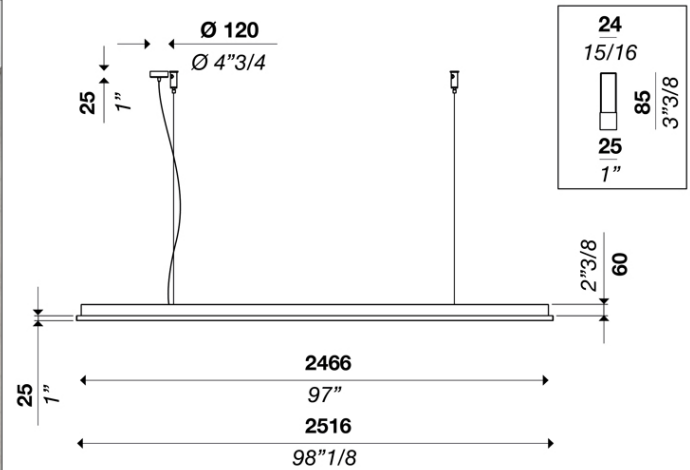
WWW.LUMINARTLIGHTING.COM
Last updated: 12/13/23

RITMO™ 2500

SUSPENSION

TYPE:

PROJECT NAME:



Hanging lamp with direct light. Aluminum structure matt white, black or brass coated. Opal polycarbonate or transparent prismatic diffuser. Metal ceiling canopy matt white, black or brass coated. Strip LED.

Diffuser options: Opal, transparent prismatic



Power input: 62W

Structure finish: Matt white, matt black, brass

Light emission direction: Direct



Hanging cables:

Stainless steel cables standard length 2000 mm (78 3/4"),
Electric cable standard length 2500 mm (100")

Materials: Aluminum structure, opal transparent polycarbonate or transparent prismatic PMMA diffuser

Light source: LED

3000K: 90CRI
4000K: 90CRI

Electrical: High efficiency electronic power supply, rated 50,000 hours 120V-277V

Degree of protection: IP20

Dimming: LTE phase dimming or 0-10V

Source lumens: 9238 lm

Delivered lumens: 6374 lm

Source efficacy: 149 lm/W

SPECIFICATION SHEET

ORDERING INFO

Model (Order Code)	Structure Finish	Diffuser Options	LED	Driver Options
<input type="radio"/> L032570302A20100	<input type="radio"/> Matt White <input type="radio"/> Matt Black <input type="radio"/> Brass	<input type="radio"/> Opal <input type="radio"/> Transparent prismatic	<input type="radio"/> 3000K <input type="radio"/> 4000K	<input type="radio"/> 120V Phase Dimming <input type="radio"/> 120V 0-10V Dimming <input type="radio"/> 277V 0-10V Dimming



Luminart®

WWW.LUMINARTLIGHTING.COM
Last updated: 12/13/23