

ROMEO™

SUSPENSION

TYPE:

PROJECT NAME:

Finish

Structure:



Nickel

Fabric options:



Cotton



Pleated



Pleated Ribbon



Wool

Fabric lampshade,
metal structure



IP20

SPECIFICATION SHEET



Canopy detail

* on demand

** cable on measure

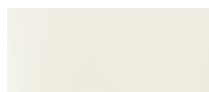
Luminart®

WWW.LUMINARTLIGHTING.COM

Diffuser finishes



Cotton



Cod. 300
Ivory



Cod. 301
White



Cod. 302
Sand



Cod. 303
Golden yellow



Cod. 315
Orange



Cod. 328
Gourd



Cod. 305
Lobate pink



Cod. 306
Red



Cod. 327
Lavender



Cod. 320
Mallow



Cod. 321
Periwinkle



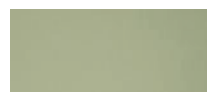
Cod. 326
Navy blue



Cod. 319
Teal



Cod. 316
Green



Cod. 323
Sage



Cod. 318
Moss



Cod. 317
Dove colour



Cod. 324
Ecru



Cod. 314
Brown



Cod. 312
Grey



Cod. 310
Anthracite



Cod. 313
Black



Wool



Cod. 650
Sabbia / Sand



Cod. 651
Arancio / Orange



Cod. 652
Verde / Green



Cod. 653
Giallo senape /
Mustard yellow



Cod. 654
Viola / Purple



Cod. 655
Blu avio / Avio blue



Cod. 656
Grigio scuro / Dark grey

Diffuser Finishes



Pleated



Cod. 500
White



Cod. 513
Ivory



Cod. 501
Beige



Cod. 511
Orange



Cod. 504
Flame red



Cod. 512
Dark red



Cod. 520
Electric blue



Cod. 515
Military



Cod. 514
Hazel



Cod. 505
Brown



Cod. 516
Dark brown



Cod. 517
Red brick



Cod. 509
Light grey



Cod. 519
Dark grey



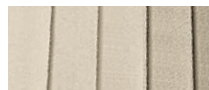
Cod. 510
Anthracite



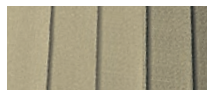
Cod. 502
Black



Pleated Ribbon



Cod. 700
Ivory



Cod. 704
Ecrú



Cod. 701
Leather



Cod. 705
Yellow



Cod. 710
Terracotta



Cod. 711
Grey



Cod. 708
Cast Iron

ROMEO™

SUSPENSION

TYPE:

PROJECT NAME:

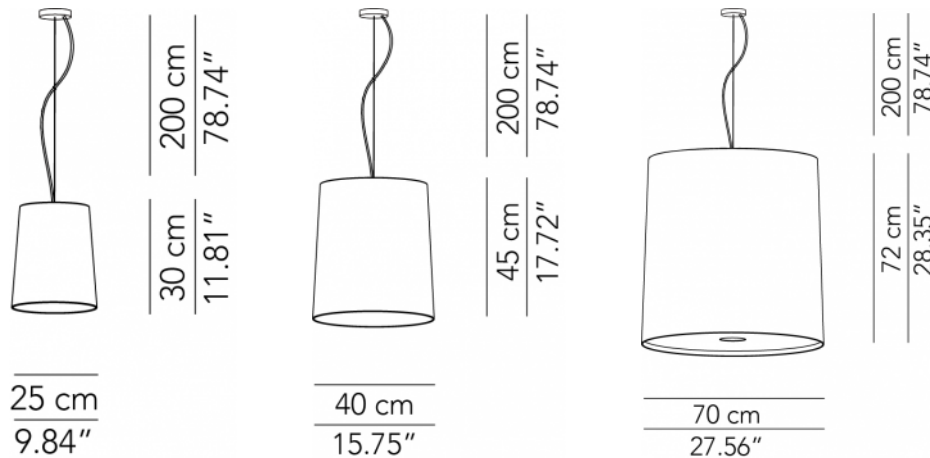
Small suspension lamp - ø 25	ø 25 x 30 cm 1,3 kg	lamp type 1xE26 LED 15W	L82ROMESO025C01
Medium suspension lamp - ø 40	ø 40 x 45 cm 1,9 Kg	lamp type 1xE26 LED 15W	L82ROMESO040C01
Maxi suspension lamp - ø 70	ø 70 x 72 cm 5 Kg	lamp type 4xE26 LED 15W	L82ROMESP070C02

ORDERING INFO

Model (Order Code)	Finish	LED	Voltage	Dimming
		<input type="radio"/> 2700K	<input type="radio"/> 120V	<input type="radio"/> LTE (Leading/Trailing Edge Dim)
		<input type="radio"/> 3000K	<input type="radio"/> 277V	<input type="radio"/> 010V (0-10V)
		<input type="radio"/> 4000K		



Fixture comes with a 4" backplate that mounts to a standard junction box. Please note: 277V is only compatible with 0-10V dimming.



SPECIFICATION SHEET