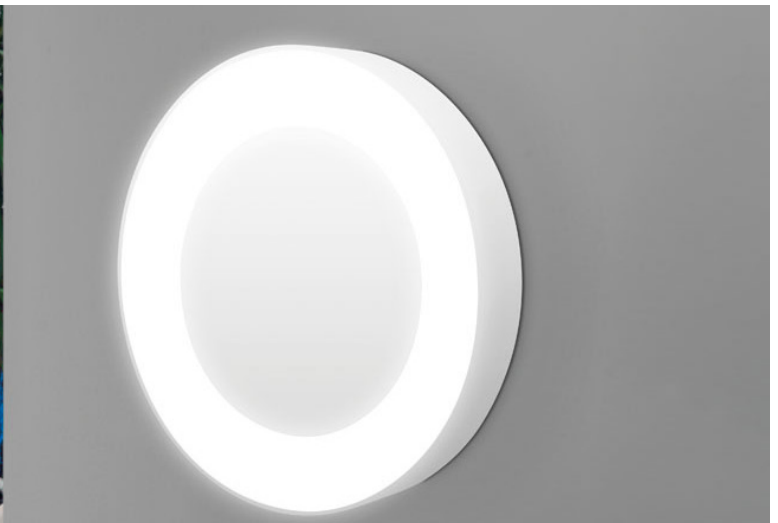


# ROSCO™

CEILING / WALL - ADA COMPLIANT

TYPE:

PROJECT NAME:



SPECIFICATION SHEET

**Luminart®**

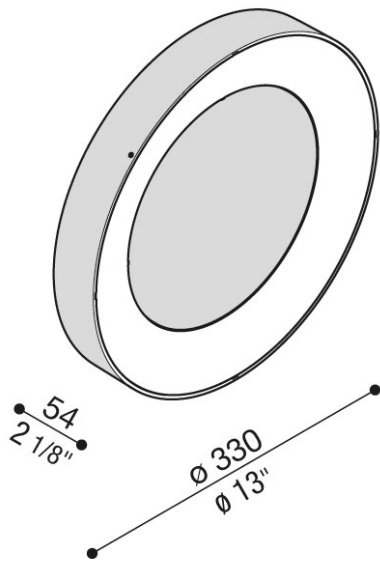
WWW.LUMINARTLIGHTING.COM  
Last updated:05/14/24

# ROSCO™

CEILING / WALL - ADA COMPLIANT

**TYPE:**

**PROJECT NAME:**



## Technical information:

Installation:	Ceiling / Wall
Material:	Polycarbonate
Source type:	LED
Diffuser type:	Polycarbonate
CRI:	>80
LB Factor:	L80B20 - 50.000h
Power consumption [Watt]	25
Source Lumen:	3000 lm
Delivered Lumen:	1842 lm
Type of protection:	IP66

SPECIFICATION SHEET

## ORDERING INFO

Model (Order Code)	Structure Finish	LED	Dimming Options
<input type="radio"/> L53 ROSCO330	<input type="radio"/> BL: Black <input type="radio"/> CO: Corten <input type="radio"/> AN: Anthracite <input type="radio"/> GR: Grey <input type="radio"/> WH: White	<input type="radio"/> 2700K <input type="radio"/> 3000K <input type="radio"/> 4000K	<input type="radio"/> 120V LTE <input type="radio"/> 120V 0-10V <input type="radio"/> 277V 0-10V

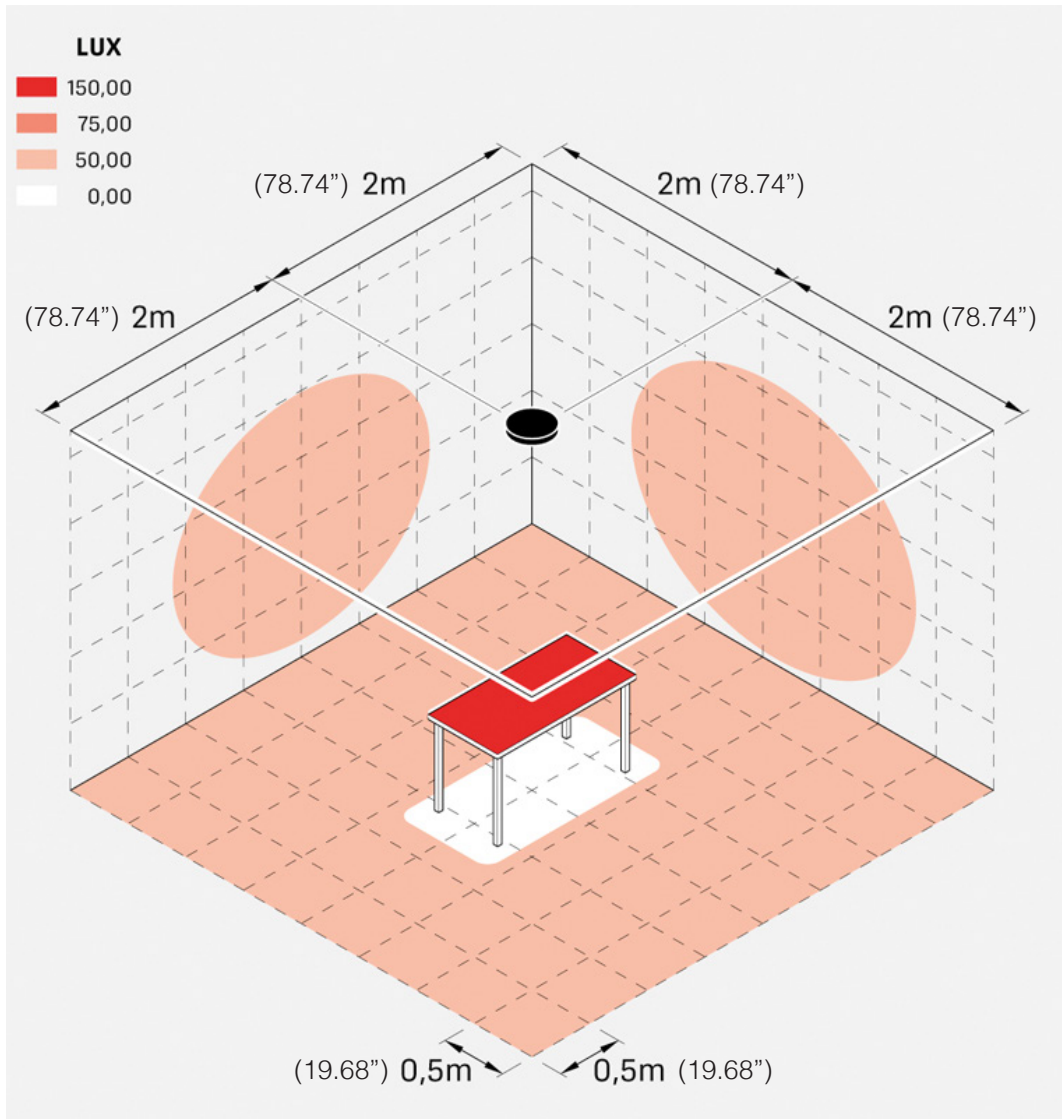


# ROSCO™

CEILING / WALL - ADA COMPLIANT

TYPE:

PROJECT NAME:



SPECIFICATION SHEET

**Luminart®**

WWW.LUMINARTLIGHTING.COM