

SILVIO™

POLE

TYPE:

PROJECT NAME:



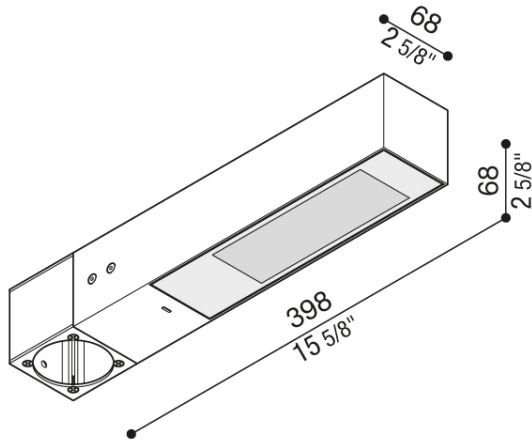
SPECIFICATION SHEET

SILVIO™

POLE

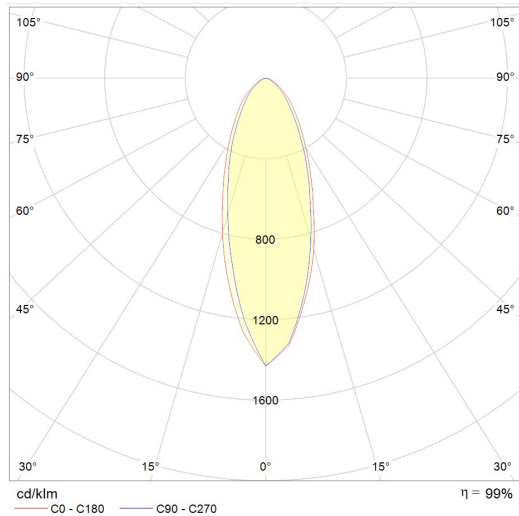
TYPE:

PROJECT NAME:



Technical information:

Installation:	Pole Ø60 (2.36")
Material:	Aluminum
Treatment:	Sea Treatment
Diffuser type:	Serigraphed Glass
CRI:	>80
LB Factor:	L80B20 - 50.000h
Power consumption [Watt]	19
Source Lumen:	2850 lm
Delivered Lumen:	1980 lm
Type of protection:	IP66



Supplied with adapter for installation on a standard Ø60 mm (2.36") post.

SPECIFICATION SHEET

ORDERING INFO

Model (Order Code)	Structure Finish	Optic Options	LED	Dimming Options
<input type="radio"/> L53 SILVIO POLE	<input type="radio"/> BL: Black RAL 9005 <input type="radio"/> CO: Corten <input type="radio"/> DG: Dark Grey RAL 7021 <input type="radio"/> WH: White RAL 9010	<input type="radio"/> S: 30° <input type="radio"/> W: Wide <input type="radio"/> A: Asymmetric <input type="radio"/> D: Diffuse	<input type="radio"/> 2700K <input type="radio"/> 3000K <input type="radio"/> 4000K	<input type="radio"/> 120V LTE <input type="radio"/> 120V 0-10V <input type="radio"/> 277V 0-10V



Luminart®

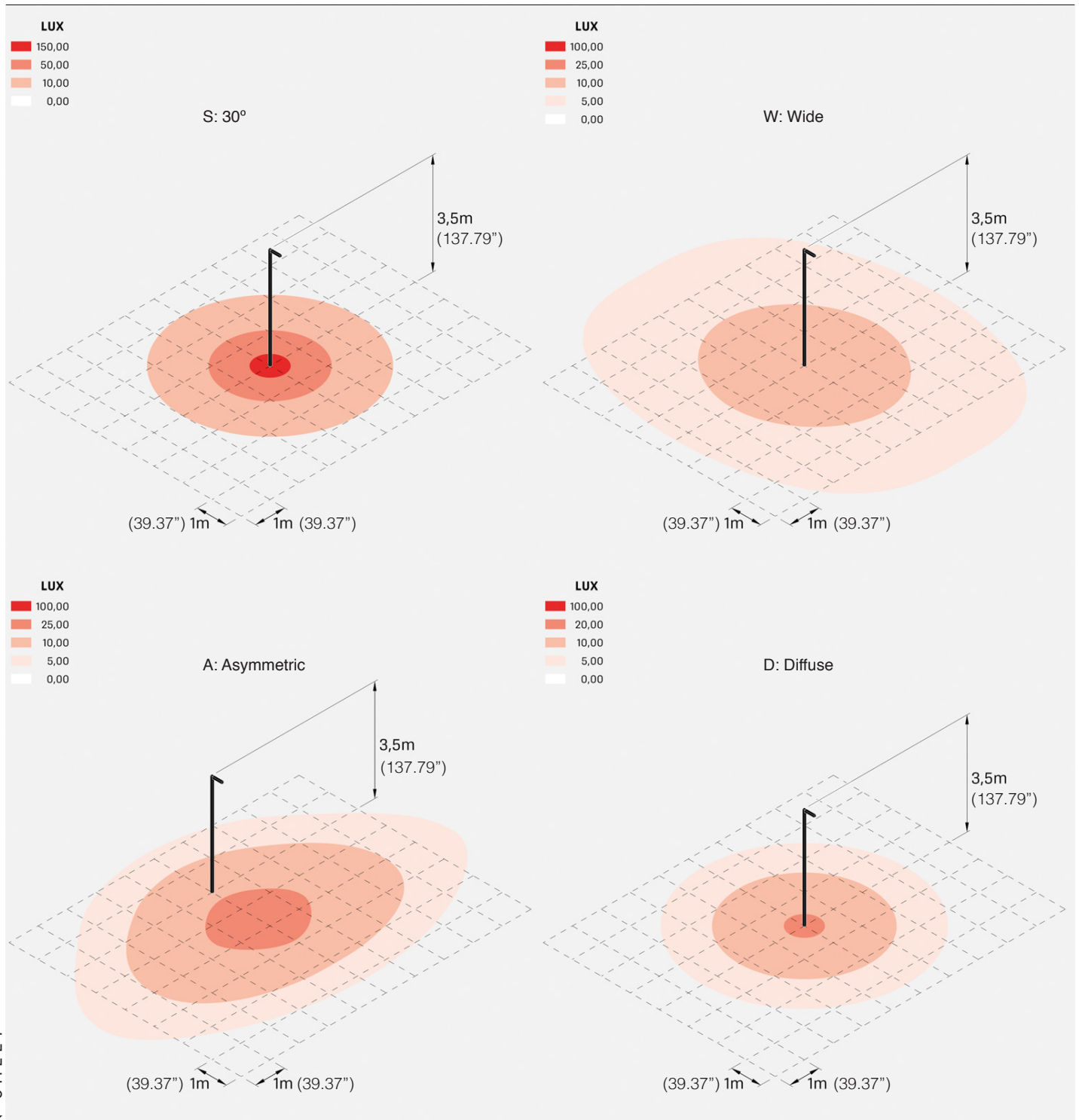
WWW.LUMINARTLIGHTING.COM
Last updated: 04/22/24

SILVIO™

POLE

TYPE:

PROJECT NAME:



SPECIFICATION SHEET