

SLICED™

SUSPENSION

TYPE:

PROJECT NAME:



SPECIFICATION SHEET

SLICED™

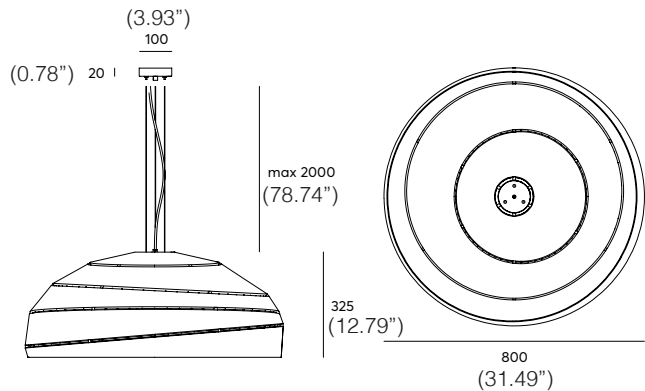
SUSPENSION

TYPE:

PROJECT NAME:



Measurements:



Material:

PET Felt (polyethylene terephthalate)

Fixture:

2m (78.74") black textile cable
 3 black metal wires with adjustable griplock
 Black ceiling cap

Acoustic properties:



0,85 m² of acoustic absorption material of aw 0,45

Total weight: 2,8kg

SPECIFICATION SHEET

ORDERING INFO

Model (Order Code)	Acoustic Finish Options	LED	Dimming Options
<input type="radio"/> L77SLICED	<input type="radio"/> See Acoustic options next page	<input type="radio"/> 27: 2700K <input type="radio"/> 30: 3000K <input type="radio"/> 40: 4000K	<input type="radio"/> 120V LTE <input type="radio"/> 120-277V 0-10V (Universal Voltage)



SLICED™

SUSPENSION

TYPE:

PROJECT NAME:

Colors:



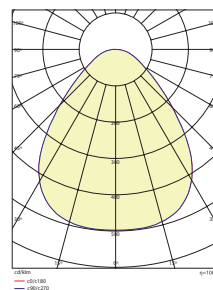
Light source specifications:



LED power: 17W
 Luminous Flux: 1850lm
 Frequency: 47-63Hz
 Power factor: 109lm/W
 Optics | Beam of light: Acrylic Opal Prism | 85°
 CRI: Ra >80
 UGR: <22
 Operating temperature: -20 ~ +45

Photometrics:

Lumen intensity distribution



Acoustic specifications:

The acoustic design principle

Sliced is designed to hang above places where the sound is produced. Because of its large inside space sound is absorbed directly from the source.

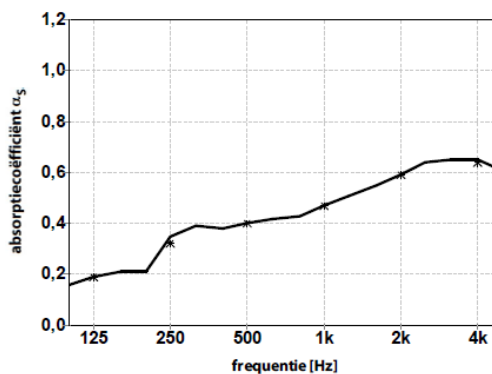
Calculated acoustic surface area: 0,85 m²

aw (ISO 11654) = 0,45

SAA (ASTM - C423) = 0,45

Measurement of 9mm free hanging PET Felt

sound absorption calculation in a reverberation room



	0,16	0,21	0,38	0,43	0,55	0,65
1/3 oct.	0,19	0,35	0,40	0,47	0,59	0,65
	0,21	0,39	0,42	0,51	0,64	0,61
1/1 oct.	0,19	0,32	0,40	0,47	0,59	0,64

SPECIFICATION SHEET