

SOL™

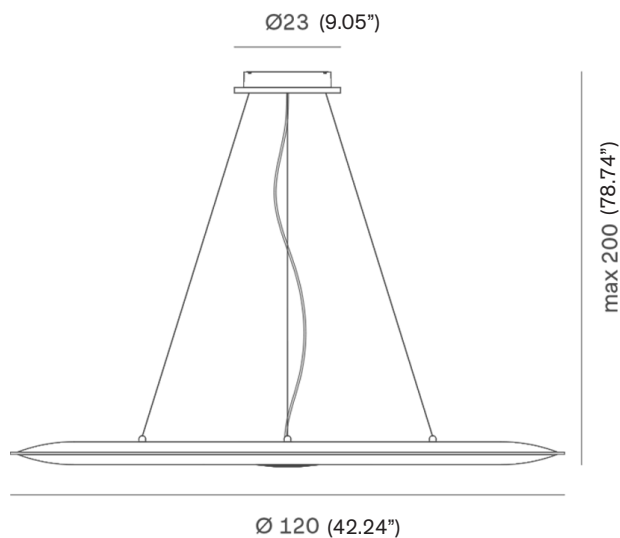
ACOUSTICAL SUSPENSION

TYPE:

PROJECT NAME:



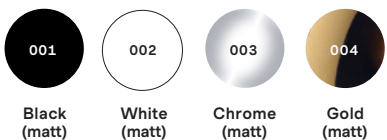
Light Source	MID POWER LED
Power	57W
LED	2700K, 3000K
Dimmer	LTE / 0-10V
Lumen	1980down - 5900up
CRI	90



STRUCTURE FINISH



GRID REFLECTOR



ACOUSTICAL FABRICS



ORDERING INFO

Model (Order Code)	Structure Finish	Grid Reflector	Acoustical Fabric	LED	Driver Options
<input type="radio"/> L16SOLH2 57W	<input type="radio"/> Graphite <input type="radio"/> Dark bronze <input type="radio"/> Matt black <input type="radio"/> Bronze	<input type="radio"/> Black <input type="radio"/> White <input type="radio"/> Chrome <input type="radio"/> Gold	<input type="radio"/> Cherry <input type="radio"/> Moss green <input type="radio"/> Dove grey <input type="radio"/> Sand	<input type="radio"/> 2700K <input type="radio"/> 3000K	<input type="radio"/> 120V Phase Dimming <input type="radio"/> 120V 0-10V Dimming <input type="radio"/> 277V 0-10V Dimming



SPECIFICATION SHEET