

SPOTE™ 2.2 RGB

OUTDOOR PROJECTOR SUBMERSIBLE

TYPE:

PROJECT NAME:

ELECTRICAL FEATURES

POWER CONSUMPTION	4W - 8W
POWER SUPPLY	C.C.
POWER SUPPLY UNIT	4W - 350mA 8W - 700mA
CONNECTION	Series

LIGHTING FEATURES

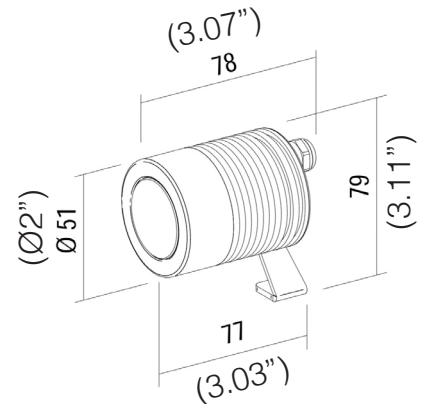
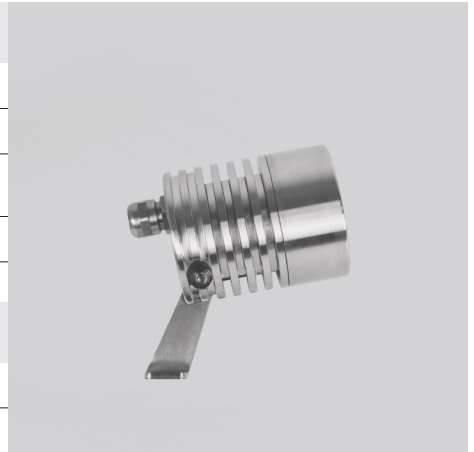
LED COLOUR	RGBW
OPTICS	36°, 40°, 64°
AVERAGE LED LIFE	50.000h L80 B10

MECHANICAL FEATURES

WEIGHT	kg 1,15
FINISHES	Steel
INSTALLATION	Floor, wall or ceiling mounting with bracket (included), in ground with peg (not included), on poles / trees by mounting strap (not included), immersion also with ballast base (not included)
MATERIAL	Anticorodal aluminum body or stainless steel AISI 316L body for Sub version, sanitized stainless steel bracket, transparent tempered glass

GENERAL FEATURES

OPERATING TEMPERATURE	-10°C +45°C
INGRESS PROTECTION	IP68
IMPACT RESISTANCE	IK08
GLOW WIRE TEST	960°C
CLASS	II



ORDERING INFO

Model (Order Code)	Optic Options	RGB	LED	Accessories	Filter	Dimming Options
<input type="radio"/> SPOTE 2.2 RGB 4W	<input type="radio"/> 36: 36°	<input type="radio"/> RGB: RGB	<input type="radio"/> PI002: Peg	<input type="radio"/> HC: Honeycomb Filter	<input type="radio"/> 120V LTE	
<input type="radio"/> SPOTE 2.2 RGB 8W	<input type="radio"/> 40: 40° <input type="radio"/> 64: 64°		<input type="radio"/> BAP01: Base	<input type="radio"/> CIN20: Mounting Strap	<input type="radio"/> 120-277V 0-10V	

SPECIFICATION SHEET




SPOTE™ 2.2 RGB

OUTDOOR PROJECTOR SUBMERSIBLE

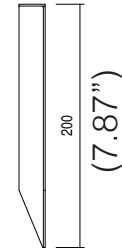
TYPE:


PROJECT NAME:

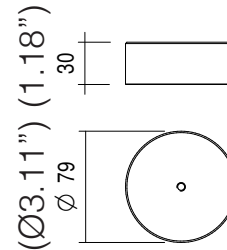
ACCESSORIES


CODE	PI002
DESCRIPTION	Peg  kg 0,10
MATERIAL	Stainless steel

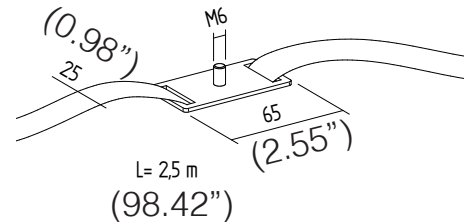
21,5 (0.84")



CODE	BAP01
DESCRIPTION	Base  kg 0,18
MATERIAL	Stainless steel

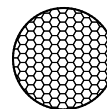


CODE	CIN20
DESCRIPTION	Mounting Strap  kg 0,11
MATERIAL	Polyester tape, stainless steel buckle and base



FILTER

CODE	HC
DESCRIPTION	Honeycomb filter



SPECIFICATION SHEET