

SQUEEZE™

OUTDOOR RECESSED

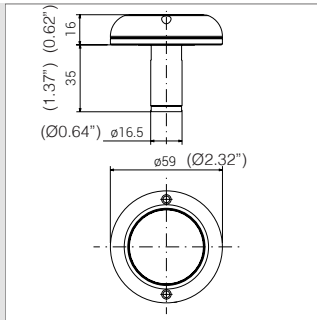
TYPE:

PROJECT NAME:



SQUEEZE UP ø 59

GM



CODE	LAMP	W	LM LED	REAL LM
L981451	LED	3	240	110

IP 67 / CRI 80
 Max. load pressure 500 Kg
 Wide beam lighting angle



SPECIFICATION SHEET

ORDERING INFO

Model (Order Code)	Finish	LED	Remote Driver Options
	<input type="radio"/> <input checked="" type="checkbox"/> Metallic Grey	<input type="radio"/> 3000K <input type="radio"/> 4000K	<input type="radio"/> 120V On/Off <input type="radio"/> 120V Phase Dimming



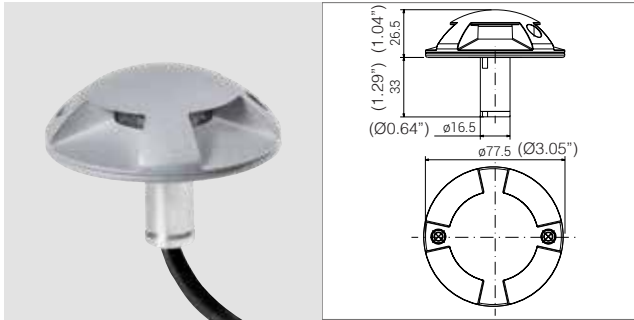
SQUEEZE™

OUTDOOR RECESSED

TYPE:

PROJECT NAME:

SQUEEZE ϕ 77



IP 67 / CRI 80
 Max. load pressure 500 Kg
 Beam lighting angle: 70° each side



1 window



2 windows



4 windows

GM

CODE	LAMP	W	LM LED	REAL LM
L981453	LED	3	240	52

GM

CODE	LAMP	W	LM LED	REAL LM
L981454	LED	3	240	104

GM

CODE	LAMP	W	LM LED	REAL LM
L981455	LED	3	240	208

ORDERING INFO

Model (Order Code)

Finish

LED

Remote Driver Options

Metallic Grey

3000K

4000K

120V On/Off

120V Phase Dimming



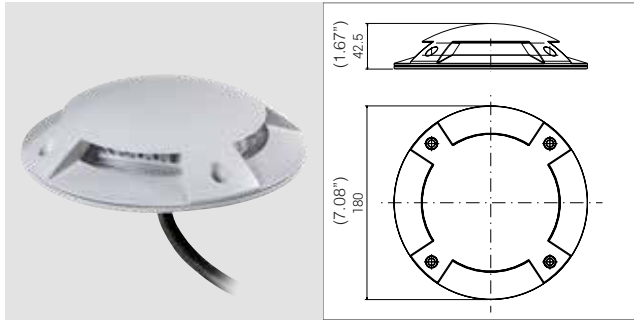
SQUEEZE™

OUTDOOR RECESSED

TYPE:

PROJECT NAME:

SQUEEZE ø 180



IP 67 / CRI 80
 Max. load pressure 500 Kg
 Beam lighting angle: 70° each side



1 window



2 windows



4 windows

GM

CODE	LAMP	W	LM LED	REAL LM
L981457	LED	6.4	640	130

GM

CODE	LAMP	W	LM LED	REAL LM
L981458	2x LED	12.8	2x640	260

GM

CODE	LAMP	W	LM LED	REAL LM
L981459	4x LED	12.8	4x320	215

ORDERING INFO

Model (Order Code)

Finish

LED

Remote Driver Options

Metallic Grey

3000K

4000K

120V On/Off

120V Phase Dimming



SPECIFICATION SHEET

Luminart®

WWW.LUMINARTLIGHTING.COM