

SQUIGGLE™

SUSPENSION

TYPE:

PROJECT NAME:



Matte Finish options for all versions



SPECIFICATION SHEET

ORDERING INFO

Model (Order Code)	Finish	LED	Remote Driver Options
	<input type="radio"/> 04 Gold <input type="radio"/> 43 Silver <input type="radio"/> 62 Black <input type="radio"/> 63 White	<input type="radio"/> 2700K <input type="radio"/> 3000K <input type="radio"/> 4000K	<input type="radio"/> 120V Phase Dimming <input type="radio"/> 120V 0-10V Dimming <input type="radio"/> 277V 0-10V Dimming



Luminart®

WWW.LUMINARTLIGHTING.COM
Last updated: 06/17/21

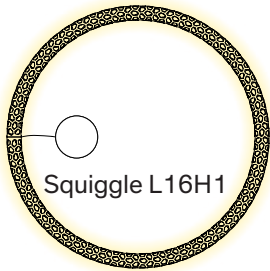
SQUIGGLE™

SUSPENSION

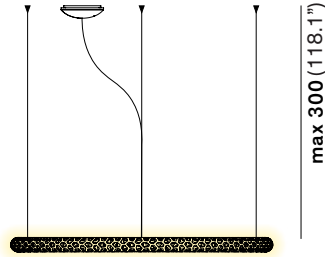
TYPE:

PROJECT NAME:

Ø 69 (27.16")



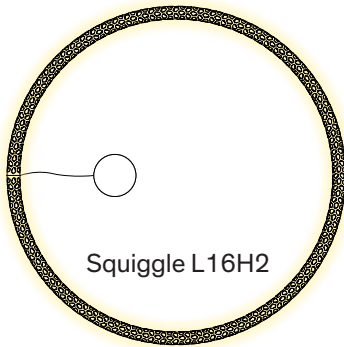
Squiggle L16H1



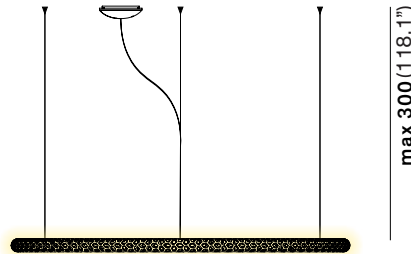
max 300 (118.1")

Light Source	LED
Power	40 Watt
Lumen	2800
CRI	90

Ø 101 (39.76")



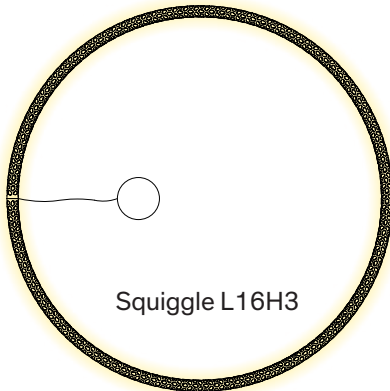
Squiggle L16H2



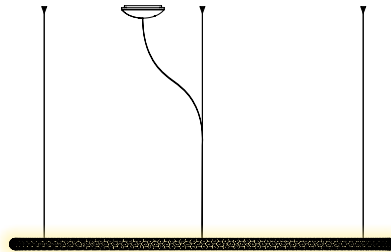
max 300 (118.1")

Light Source	LED
Power	56 Watt
Lumen	3900
CRI	90

Ø 132 (51.96")



Squiggle L16H3



max 300 (118.1")

Light Source	LED
Power	67 Watt
Lumen	4600
CRI	90

SPECIFICATION SHEET

ORDERING INFO

Model (Order Code)

Finish

LED

Voltage

Dimming

- 2700K
- 3000K
- 4000K

- 120V
- 277V

- LTE (Leading/Trailing Edge Dim)
- 010V (0-10V)



Fixture comes with a 4" backplate that mounts to a standard junction box. Please note: 277V is only compatible with 0-10V dimming.

Luminart®

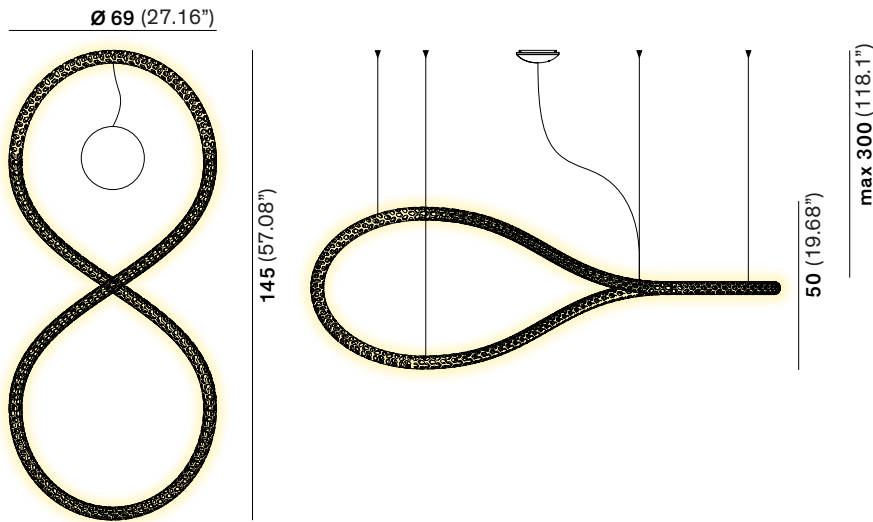
WWW.LUMINARTLIGHTING.COM
Last updated: 06/17/21

SQUIGGLE™

SUSPENSION

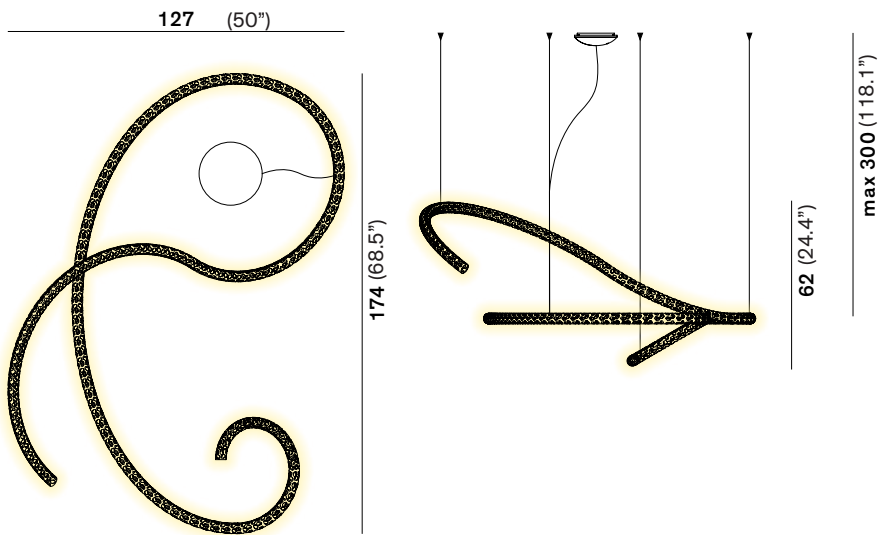
TYPE:

PROJECT NAME:



Squiggle L16H4

Light Source	LED
Power	67 Watt
Lumen	4600
CRI	90



Squiggle L16H5

Light Source	LED
Power	95 Watt
Lumen	6500
CRI	90

SPECIFICATION SHEET

ORDERING INFO

Model (Order Code)	Finish	LED	Voltage	Dimming
		<input type="radio"/> 2700K	<input type="radio"/> 120V	<input type="radio"/> LTE (Leading/Trailing Edge Dim)
		<input type="radio"/> 3000K	<input type="radio"/> 277V	<input type="radio"/> 010V (0-10V)
		<input type="radio"/> 4000K		



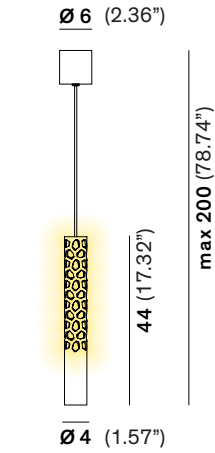
Fixture comes with a 4" backplate that mounts to a standard junction box. Please note: 277V is only compatible with 0-10V dimming.

SQUIGGLE™

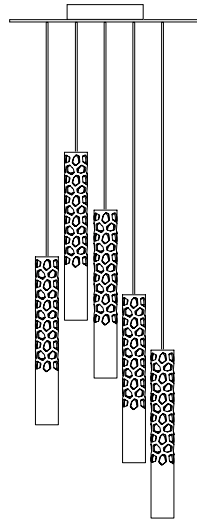
SUSPENSION

TYPE:

PROJECT NAME:

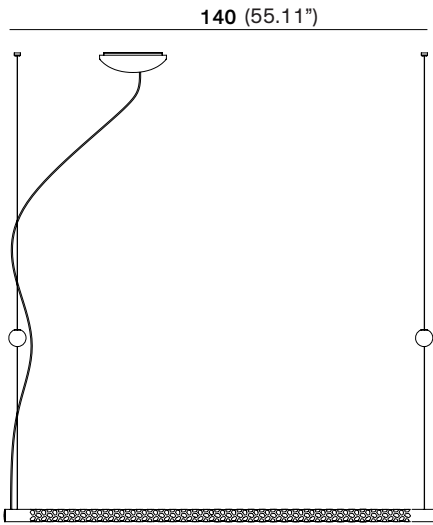


Squiggle L16H6



Composition example with optional $\varnothing 50$ ($\varnothing 19.65$ ") canopy. Maximum 6 lights. Order code: R1.

Light Source	LED + G4 36° LED
Power	7.5 Watt
Lumen	480
CRI	90



Squiggle L16H8

Light Source	LED
Power	36 Watt
Lumen	2500
CRI	90

SPECIFICATION SHEET

ORDERING INFO

Model (Order Code)	Finish	LED	Voltage	Dimming
		<input type="radio"/> 2700K	<input type="radio"/> 120V	<input type="radio"/> LTE (Leading/Trailing Edge Dim)
		<input type="radio"/> 3000K	<input type="radio"/> 277V	<input type="radio"/> 010V (0-10V)
		<input type="radio"/> 4000K		



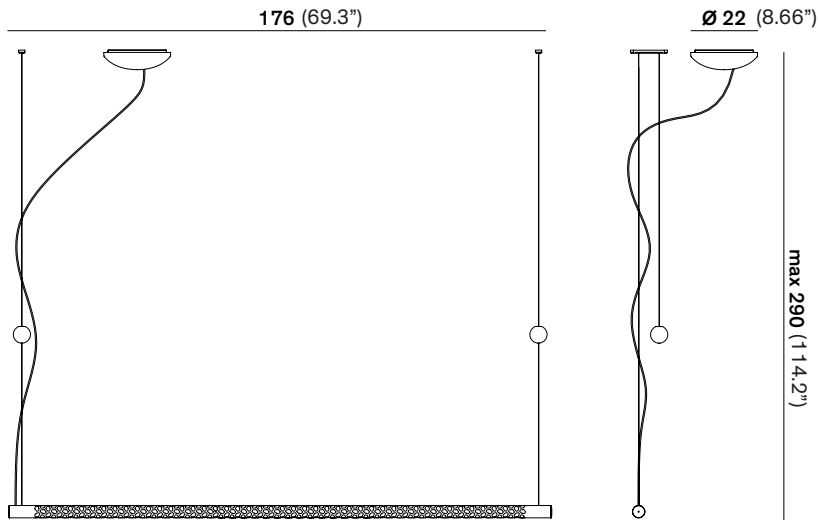
Fixture comes with a 4" backplate that mounts to a standard junction box. Please note: 277V is only compatible with 0-10V dimming.

SQUIGGLE™

SUSPENSION

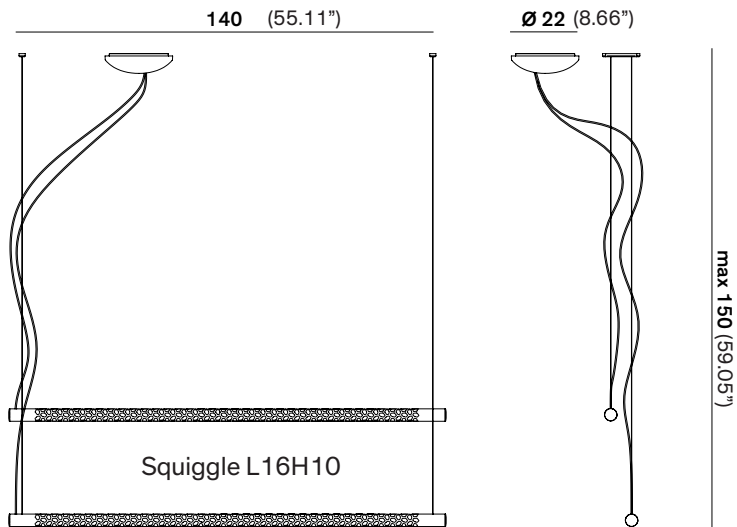
TYPE:

PROJECT NAME:



Squiggle L16H9

Light Source	LED
Power	39 Watt
Lumen	2700
CRI	90



Squiggle L16H10

Light Source	LED
Power	72 Watt
Lumen	5050
CRI	90

SPECIFICATION SHEET

ORDERING INFO

Model (Order Code)	Finish	LED	Voltage	Dimming
		<input type="radio"/> 2700K	<input type="radio"/> 120V	<input type="radio"/> LTE (Leading/Trailing Edge Dim)
		<input type="radio"/> 3000K	<input type="radio"/> 277V	<input type="radio"/> 0-10V (0-10V)
		<input type="radio"/> 4000K		



Fixture comes with a 4" backplate that mounts to a standard junction box. Please note: 277V is only compatible with 0-10V dimming.

Luminart®

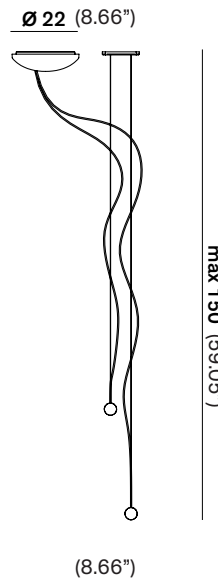
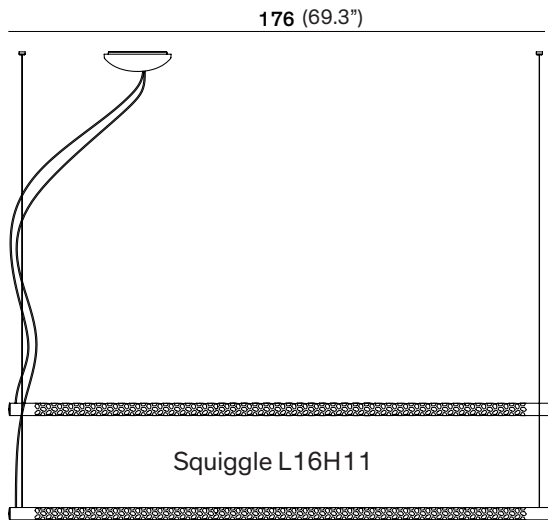
WWW.LUMINARTLIGHTING.COM
Last updated: 06/17/21

SQUIGGLE™

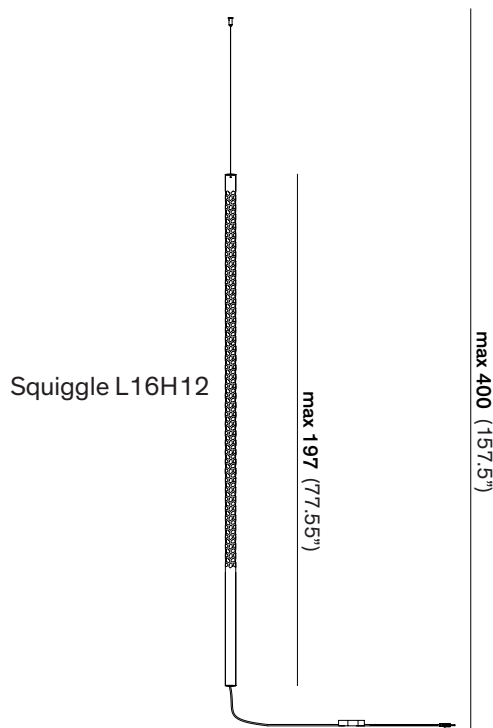
SUSPENSION

TYPE:

PROJECT NAME:



Light Source	LED
Power	78 Watt
Lumen	5.500
CRI	90



Light Source	LED
Power	34 Watt
Lumen	2400
CRI	90

SPECIFICATION SHEET

ORDERING INFO

Model (Order Code)	Finish	LED	Voltage	Dimming
		<input type="radio"/> 2700K	<input type="radio"/> 120V	<input type="radio"/> LTE (Leading/Trailing Edge Dim)
		<input type="radio"/> 3000K	<input type="radio"/> 277V	<input type="radio"/> 010V (0-10V)
		<input type="radio"/> 4000K		



Fixture comes with a 4" backplate that mounts to a standard junction box. Please note: 277V is only compatible with 0-10V dimming.