

STAND™

BOLLARD

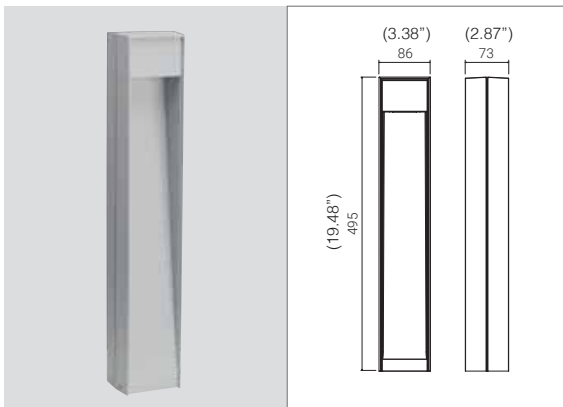
TYPE:

PROJECT NAME:



Stand
LED

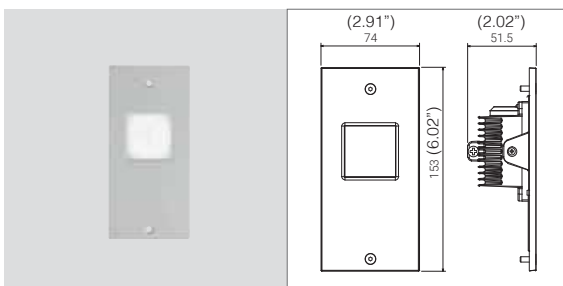
STAND



CODE	LAMP	W	LM LED - REAL LM
L985526	<input type="radio"/> Led	8	1000 554

Aluminum post.
IP 65
CRI 80

BACK LIGHT



CODE	LAMP	W	LM LED - REAL LM
L985528	<input type="radio"/> Led	8	1000 554

Optional back light to provide light emission from behind the Stand bollard.
IP 65
CRI 80

SPECIFICATION SHEET

ORDERING INFO

Model (Order Code)	Finish	LED	Integral Driver Options
	<input type="radio"/> Graphite <input type="radio"/> Metallic Grey <input type="radio"/> Corten	<input type="radio"/> 3000K <input type="radio"/> 4000K	<input type="radio"/> 120V Phase Dimming <input type="radio"/> 120V 0-10V Dimming <input type="radio"/> 277V 0-10V Dimming



STAND™

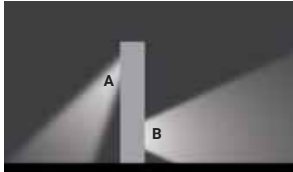
BOLLARD

TYPE:

PROJECT NAME:



Below: Stand with back light installed

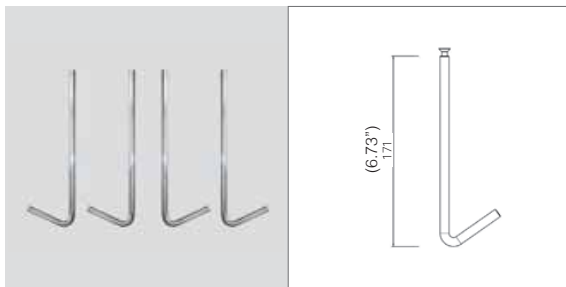


WATERTIGHT CONNECTION BLOCKS



CODE	DESCRIPTION
L981941	IP68 connection block for 3x2.5 mm ² cables
L981942	Through wiring connection block for 3x2.5 mm ² cables

ANCHORING SET



CODE	DESCRIPTION
L985529	4 anchors

Stainless steel anchoring set for the post base.

ORDERING INFO

Model (Order Code)



SPECIFICATION SHEET

Luminart®

WWW.LUMINARTLIGHTING.COM