

STEM™

BOLLARD

TYPE:

PROJECT NAME:



SPECIFICATION SHEET

Luminart®

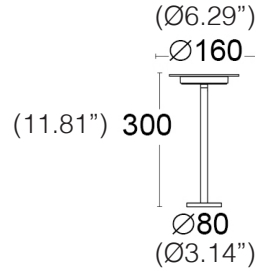
WWW.LUMINARTLIGHTING.COM
Last updated: 07/25/24

STEM™ 300

BOLLARD

TYPE:

PROJECT NAME:



FIXTURE SPECIFICATIONS

ASSEMBLY / USAGE

Ground installation

PROTECTION

IP 65 - IK 08

BODY

Die-cast aluminum

SCREEN

Opale Polycarbonate

SEALS

Closed-cell EPDM rubber

SCREWS

Stainless steel A2

PAINT / FINISHING

Anti-corrosive UV stabilised polyester powder

ELECTRICAL SPECIFICATIONS

ABSORBED POWER

11W

SOURCE

LED

SOURCE FLUX

1420 lm (1510 lm for 4000K)

FIXTURE SOURCE

800 lm (880 lm for 4000K)

CCT LED

2700K / 3000K / 4000K

CRI

>80

BEAM OPENING

Diffuse 360°

APPARENT EFFICIENCY

56 %

COLORS



ACCESSORIES



Small pole Spike Kit
H 350 x Ø 80
(13.77" x Ø3.14")



Inground formwork kit
H 110 x Ø 135
(4.33" x Ø5.31")

ORDERING INFO

L90STEM 300

Model (Order Code)	Finish Options	Accessories	LED	Remote Driver Options
<input type="radio"/> L90STEM 300	<input type="radio"/> 00: Pure White <input type="radio"/> 01: Black <input type="radio"/> 10: White <input type="radio"/> 24: Bronze <input type="radio"/> 25: Rust <input type="radio"/> 30: Anthracite <input type="radio"/> 35: Slate Grey <input type="radio"/> 40: Grey <input type="radio"/> 55: Green Cool Mint	<input type="radio"/> P: Small pole spike kit <input type="radio"/> K: Inground formwork kit	<input type="radio"/> 27: 2700K <input type="radio"/> 30: 3000K <input type="radio"/> 40: 4000K	<input type="radio"/> 120V LTE <input type="radio"/> 120V-277V 0-10V (Universal Voltage)



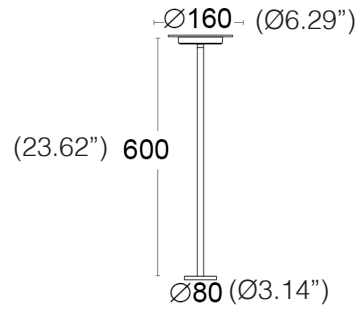
SPECIFICATION SHEET

STEM™ 600

BOLLARD

TYPE:

PROJECT NAME:



FIXTURE SPECIFICATIONS

ASSEMBLY / USAGE

Ground installation

PROTECTION

IP 65 - IK 08

BODY

Die-cast aluminum

SCREEN

Opale Polycarbonate

SEALS

Closed-cell EPDM rubber

SCREWS

Stainless steel A2

PAINT / FINISHING

Anti-corrosive UV stabilised polyester powder

ELECTRICAL SPECIFICATIONS

ABSORBED POWER

11W

SOURCE

LED

SOURCE FLUX

1420 lm (1510 lm for 4000K)

FIXTURE SOURCE

800 lm (880 lm for 4000K)

CCT LED

2700K / 3000K / 4000K

CRI

>80

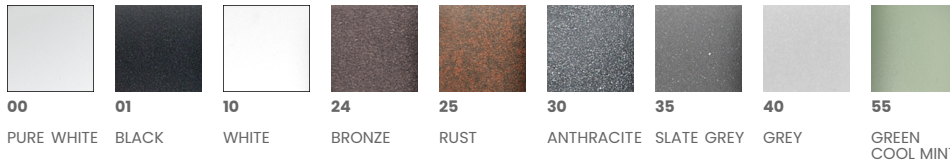
BEAM OPENING

Diffuse 360°

APPARENT EFFICIENCY

56 %

COLORS



ACCESSORIES



Small pole Spike Kit
H 350 x Ø 80
(13.77" x Ø3.14")



Inground formwork kit
H 110 x Ø 135
(4.33" x Ø5.31")

ORDERING INFO

L90STEM 600

Model (Order Code)	Finish Options	Accessories	LED	Remote Driver Options
<input type="radio"/> L90STEM 600	<input type="radio"/> 00: Pure White <input type="radio"/> 01: Black <input type="radio"/> 10: White <input type="radio"/> 24: Bronze <input type="radio"/> 25: Rust <input type="radio"/> 30: Anthracite <input type="radio"/> 35: Slate Grey <input type="radio"/> 40: Grey <input type="radio"/> 55: Green Cool Mint	<input type="radio"/> P: Small pole spike kit <input type="radio"/> K: Inground formwork kit	<input type="radio"/> 27: 2700K <input type="radio"/> 30: 3000K <input type="radio"/> 40: 4000K	<input type="radio"/> 120V LTE <input type="radio"/> 120V-277V 0-10V (Universal Voltage)



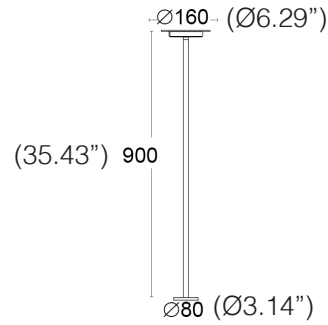
SPECIFICATION SHEET

STEM™ 900

BOLLARD

TYPE:

PROJECT NAME:



FIXTURE SPECIFICATIONS

ASSEMBLY / USAGE

Ground installation

PROTECTION

IP 65 - IK 08

BODY

Die-cast aluminum

SCREEN

Opale Polycarbonate

SEALS

Closed-cell EPDM rubber

SCREWS

Stainless steel A2

PAINT / FINISHING

Anti-corrosive UV stabilised polyester powder

ELECTRICAL SPECIFICATIONS

ABSORBED POWER

11W

SOURCE

LED

SOURCE FLUX

1420 lm (1510 lm for 4000K)

FIXTURE SOURCE

800 lm (880 lm for 4000K)

CCT LED

2700K / 3000K / 4000K

CRI

>80

BEAM OPENING

Diffuse 360°

APPARENT EFFICIENCY

56 %

COLORS



ACCESSORIES



Small pole Spike Kit
H 350 x Ø 80
(13.77" x Ø3.14")



Inground formwork kit
H 110 x Ø 135
(4.33" x Ø5.31")

ORDERING INFO

L90STEM 900

Model (Order Code)	Finish Options	Accessories	LED	Remote Driver Options
<input type="radio"/> L90STEM 900	<input type="radio"/> 00: Pure White <input type="radio"/> 01: Black <input type="radio"/> 10: White <input type="radio"/> 24: Bronze <input type="radio"/> 25: Rust <input type="radio"/> 30: Anthracite <input type="radio"/> 35: Slate Grey <input type="radio"/> 40: Grey <input type="radio"/> 55: Green Cool Mint	<input type="radio"/> P: Small pole spike kit <input type="radio"/> K: Inground formwork kit	<input type="radio"/> 27: 2700K <input type="radio"/> 30: 3000K <input type="radio"/> 40: 4000K	<input type="radio"/> 120V LTE <input type="radio"/> 120V-277V 0-10V (Universal Voltage)



SPECIFICATION SHEET