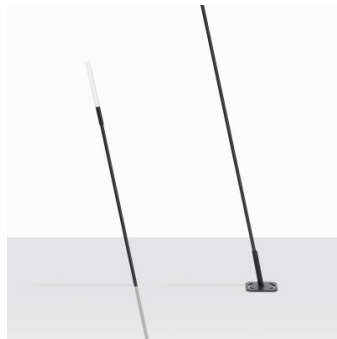
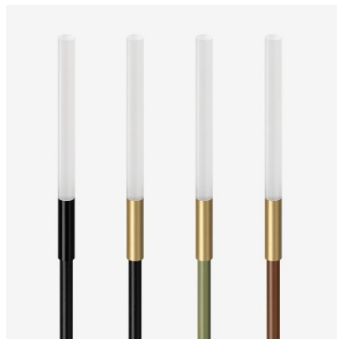


STIX™ ROUND

BOLLARD

TYPE:

PROJECT NAME:



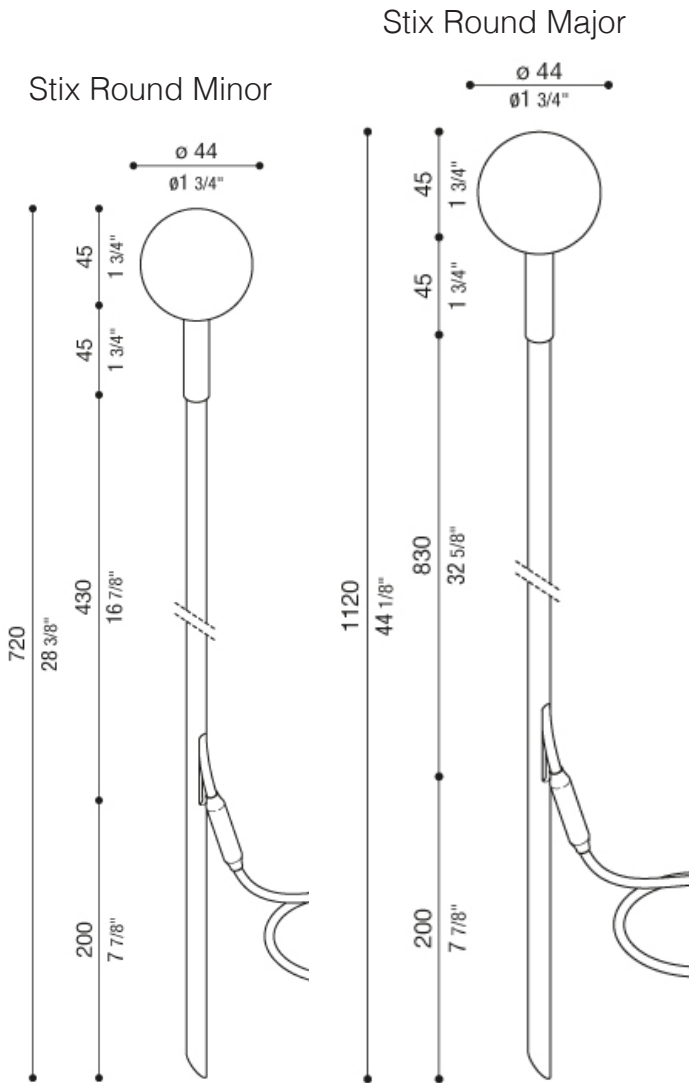
SPECIFICATION SHEET

STIX™ ROUND

BOLLARD

TYPE:

PROJECT NAME:



Technical information:

Installation:	Ground
Material:	Fibreglass
Treatment:	Anodization
Diffuser type:	PMMA
CRI:	>80
LB Factor:	L80B20 - 50.000h
Power consumption [Watt]	1.5
Source Lumen:	140 lm
Delivered Lumen:	85 lm
Type of protection:	IP66

SPECIFICATION SHEET

ORDERING INFO

Model (Order Code)	Structure Finish	Base Options*	LED	Dimming Options
<input type="radio"/> L53STIX ROUND MINOR: H 720mm (28 3/8")	<input type="radio"/> BL: Black Only	<input type="radio"/> Steel Base	<input type="radio"/> 2700K	<input type="radio"/> 120V LTE
<input type="radio"/> L53STIX ROUND MAJOR: H 1120mm (44 1/8")	<input type="radio"/> BNBR: Brown with Brass	<input type="radio"/> Pole only for ground recessed	<input type="radio"/> 3000K	<input type="radio"/> 120V 0-10V
	<input type="radio"/> BLBR: Black with Brass		<input type="radio"/> 4000K	<input type="radio"/> 277V 0-10V
	<input type="radio"/> GRBR: Green with Brass			



*See details on the next page.

Luminart®

WWW.LUMINARTLIGHTING.COM
Last updated: 04/22/24

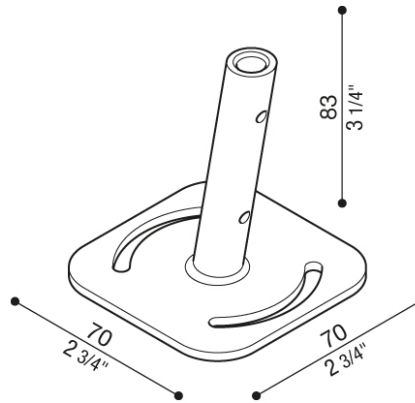
STIX™ ROUND

BOLLARD

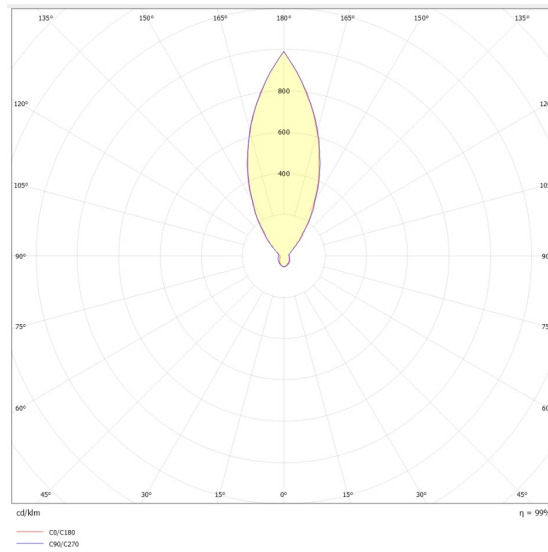
TYPE:

PROJECT NAME:

Concrete base for one



Photometric curves



SPECIFICATION SHEET