

# STIX™

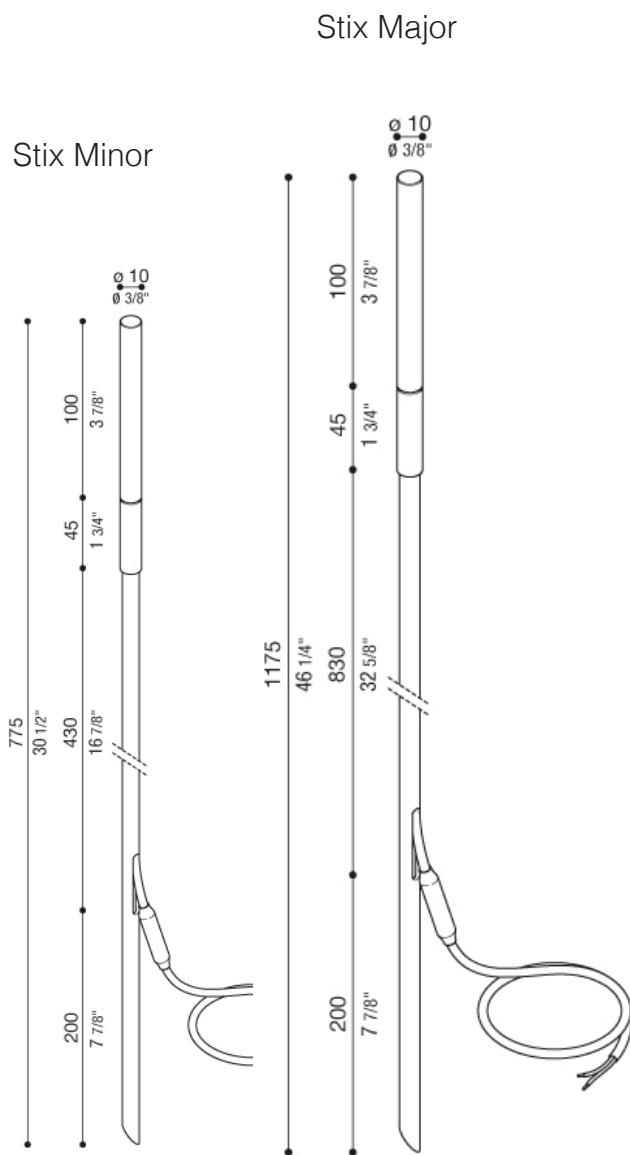
BOLLARD

TYPE:

PROJECT NAME:



SPECIFICATION SHEET



**Technical information:**

Installation:	Ground
Material:	Fibreglass
Treatment:	Anodization
Diffuser type:	PMMA
CRI:	>80
LB Factor:	L80B20 - 50.000h
Power consumption [Watt]	1.5
Source Lumen:	140 lm
Delivered Lumen:	68 lm
Type of protection:	IP68

SPECIFICATION SHEET

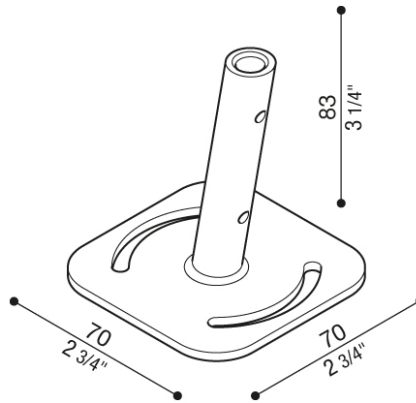
**ORDERING INFO**

Model (Order Code)	Structure Finish	Base Options*	LED	Dimming Options
<input type="radio"/> L53 STIX MINOR: H 775mm (30 1/2")	<input type="radio"/> BL: Black Only	<input type="radio"/> Steel Base	<input type="radio"/> 2700K	<input type="radio"/> 120V LTE
<input type="radio"/> L53 STIX MAJOR: H 1175mm (46 1/4")	<input type="radio"/> BNBR: Brown with Brass	<input type="radio"/> Pole only for ground recessed	<input type="radio"/> 3000K	<input type="radio"/> 120V 0-10V
	<input type="radio"/> BLBR: Black with Brass		<input type="radio"/> 4000K	<input type="radio"/> 277V 0-10V
	<input type="radio"/> GRBR: Green with Brass			



\*See details on the next page.

Concrete base for one



Photometric curves

