

# T-LUX™ STAN

BOLLARD

TYPE:

PROJECT NAME:



SPECIFICATION SHEET

**Luminart®**

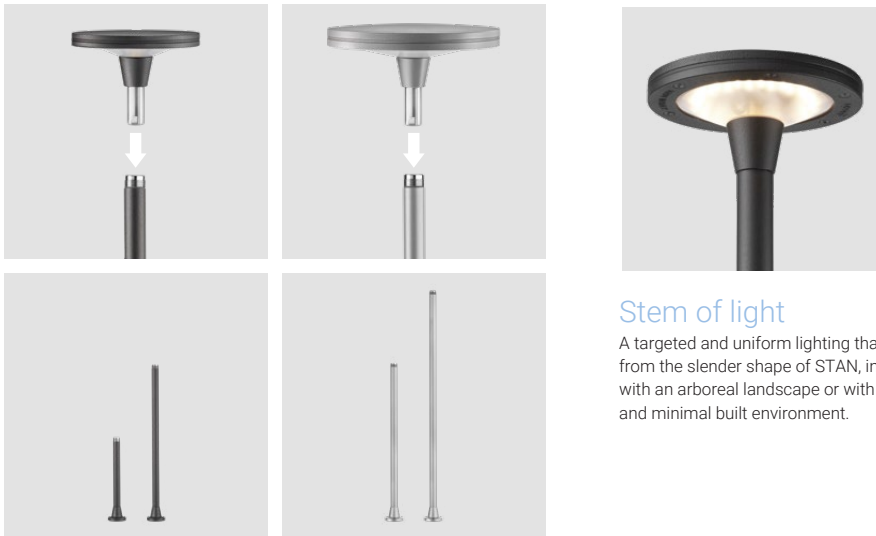
[WWW.LUMINARTLIGHTING.COM](http://WWW.LUMINARTLIGHTING.COM)

# T-LUX™ STAN

BOLLARD

TYPE:

PROJECT NAME:



## Stem of light

A targeted and uniform lighting that comes from the slender shape of STAN, in harmony with an arboreal landscape or with a defined and minimal built environment.

## Versatile stem

To calibrate the lighting effect in the context, STAN has lamps in two diameters and poles in different heights, whose proportions also allow multiple expressive combinations.

Photo-etched polycarbonate **diffuser** to prevent horizontal glare and to grant high output downwards, thanks also to the diameter of the mains voltage LED module, that completely occupies the dedicated internal space.

Dissipating **upper disc** in die-cast aluminum with low copper content; the particular convex shape avoids water stagnation.

Watertight **wiring** through the cable supplied.

**Easier installation** thanks to the threaded connection, without visible screws.

## Stems

Extruded aluminum stems available in three heights: 300, 600 and 900 mm. The die-cast aluminum base allows installation with spike, anchoring plate or in-ground box.

SPECIFICATION SHEET

**Luminart®**

WWW.LUMINARTLIGHTING.COM

# T-LUX™ STAN

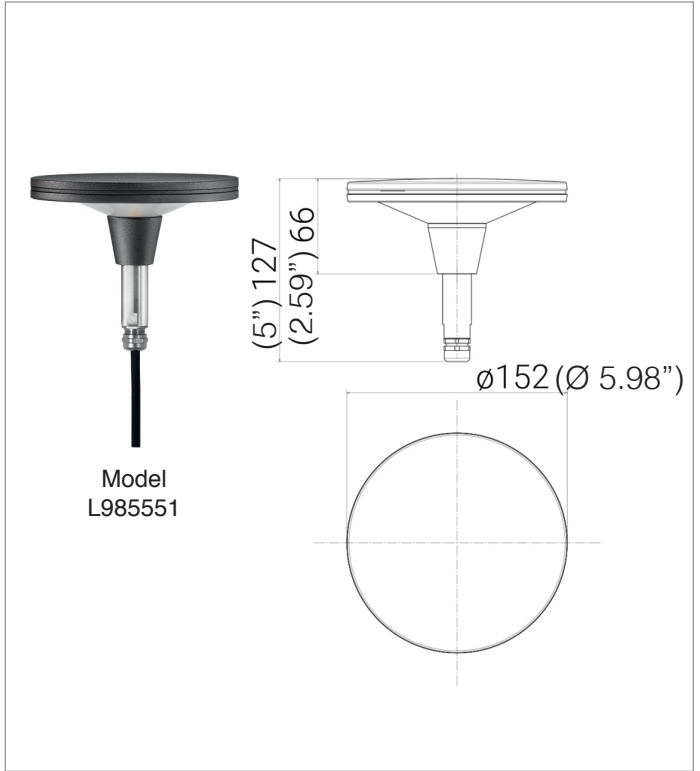
BOLLARD - 10W

TYPE:

PROJECT NAME:



Outdoor lighting fixture for installation on a stem  
Dissipating upper disc in low copper content die-cast aluminum; the particular convex shape avoids water stagnation. Photo-etched polycarbonate diffuser to prevent horizontal glare and to grant high output downwards.



**Power input:** 10W

**Light emission direction:** Direct

**Pole Options:**

Steel Pole with anchoring plate:  
#3101: 300mm (11.81")  
#3102: 600mm (23.62")  
#3102: 900mm (35.43")

**Materials:** Aluminum structure

**Electrical:** High efficiency electronic power supply, rated 50,000 hours 120V-277V

**Dimming:** Power supply compatible with 0-10V or LTE dimming

**Structure finish:**

Anthracite, Aluminum Grey, Green, Corten, Bronze



**Light source:** LED

2700K: 80CRI  
3000K: 80CRI  
4000K: 80CRI

**Source lumens:** 1150 lm

**Lumen Output:** 753 lm

SPECIFICATION SHEET

**ORDERING INFO**

Model (Order Code)	Structure Finish	Pole Mounting Option*	LED	Driver Options
<input type="radio"/> L985551 10W	<input type="radio"/> A: Anthracite <input type="radio"/> AG: Aluminum Grey <input type="radio"/> G: Green <input type="radio"/> C: Corten <input type="radio"/> B: Bronze	<input type="radio"/> Pole#3101 + Anchoring Plate#4697 <input type="radio"/> Pole#3102 + Anchoring Plate#4697 <input type="radio"/> Pole#3103 + Anchoring Plate#4697	<input type="radio"/> 2700K <input type="radio"/> 3000K <input type="radio"/> 4000K	<input type="radio"/> 120V Phase Dimming <input type="radio"/> 120V 0-10V Dimming <input type="radio"/> 277V 0-10V Dimming



\*See pole mounting options on page 5-6.

# T-LUX™ STAN

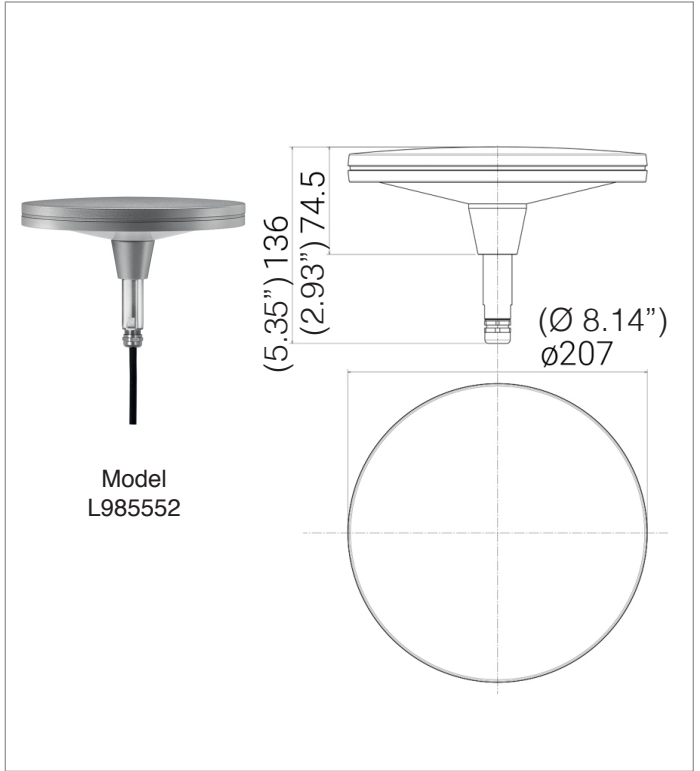
BOLLARD - 10W

TYPE:

PROJECT NAME:



Outdoor lighting fixture for installation on a stem  
Dissipating upper disc in low copper content die-cast aluminum; the particular convex shape avoids water stagnation. Photo-etched polycarbonate diffuser to prevent horizontal glare and to grant high output downwards.



**Power input:** 20W

**Light emission direction:** Direct

**Pole Options:**

Steel Pole with anchoring plate:

#3101: 300mm (11.81")

#3102: 600mm (23.62")

#3102: 900mm (35.43")

**Materials:** Aluminum structure

**Electrical:** High efficiency electronic power supply, rated 50,000 hours 120V-277V

**Dimming:** Power supply compatible with 0-10V or LTE dimming

**Structure finish:**

Anthracite, Aluminum Grey, Green, Corten, Bronze



**Light source:** LED

2700K: 80CRI

3000K: 80CRI

4000K: 80CRI

**Source lumens:** 2300 lm

**Lumen Output:** 1620 lm

SPECIFICATION SHEET

**ORDERING INFO**

Model (Order Code)	Structure Finish	Pole Mounting Option*	LED	Driver Options
<input type="radio"/> L985552 20W	<input type="radio"/> A: Anthracite <input type="radio"/> AG: Aluminum Grey <input type="radio"/> G: Green <input type="radio"/> C: Corten <input type="radio"/> B: Bronze	<input type="radio"/> Pole#3101 + Anchoring Plate#4697 <input type="radio"/> Pole#3102 + Anchoring Plate#4697 <input type="radio"/> Pole#3103 + Anchoring Plate#4697	<input type="radio"/> 2700K <input type="radio"/> 3000K <input type="radio"/> 4000K	<input type="radio"/> 120V Phase Dimming <input type="radio"/> 120V 0-10V Dimming <input type="radio"/> 277V 0-10V Dimming



\*See pole mounting options on page 5-6.

# T-LUX™ STAN

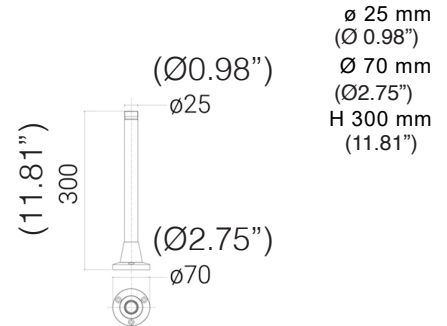
BOLLARD

TYPE:

PROJECT NAME:

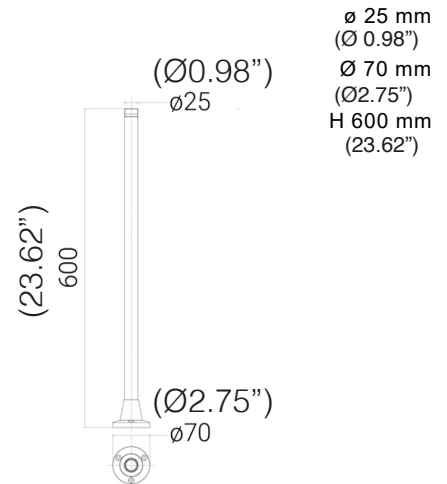
## T-LUX STAN - stem H 300

CODE NO. 3101



## T-LUX STAN - stem H 600

CODE NO. 3102



SPECIFICATION SHEET

# T-LUX™ STAN

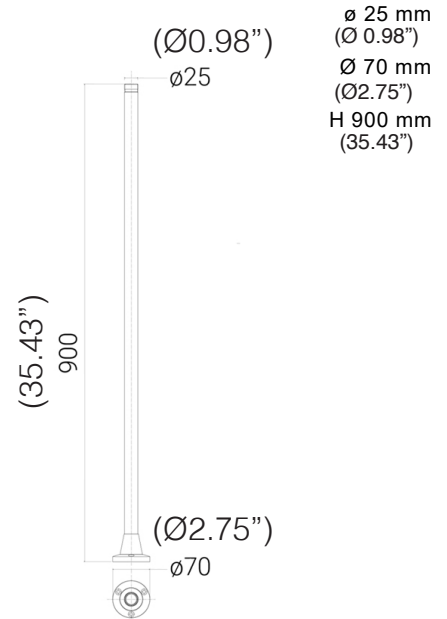
BOLLARD

TYPE:

PROJECT NAME:

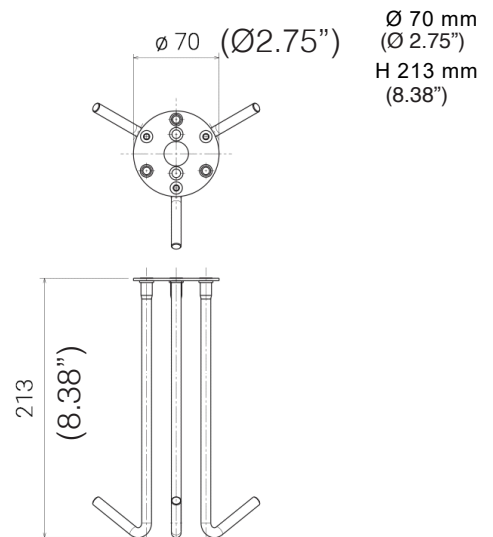
## T-LUX STAN - stem H 900

CODE NO. 3103



## T-LUX STAN - plate with anchoring set

CODE NO. 4697



SPECIFICATION SHEET