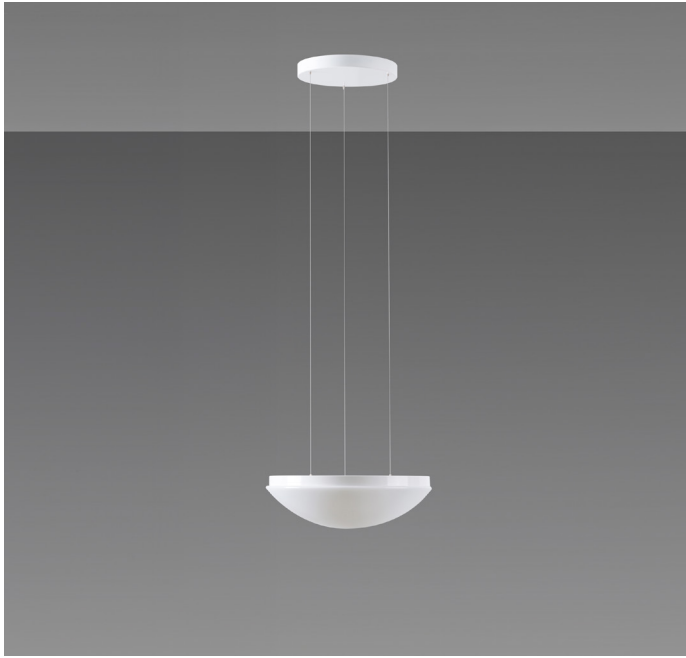


# TITAN™ 400

SUSPENSION

TYPE:

PROJECT NAME:



Round pendant light with shade diameter Ø400mm (15.74"). Product consists of cableless pendant and PMMA shade. Shade is fixed by two-step clamp holders. Suitable for indoor use.

**Power input:** 27W

**Mounting:** 72" adjustable air craft cable and one canopy. Installs on a standard 4" junction box.

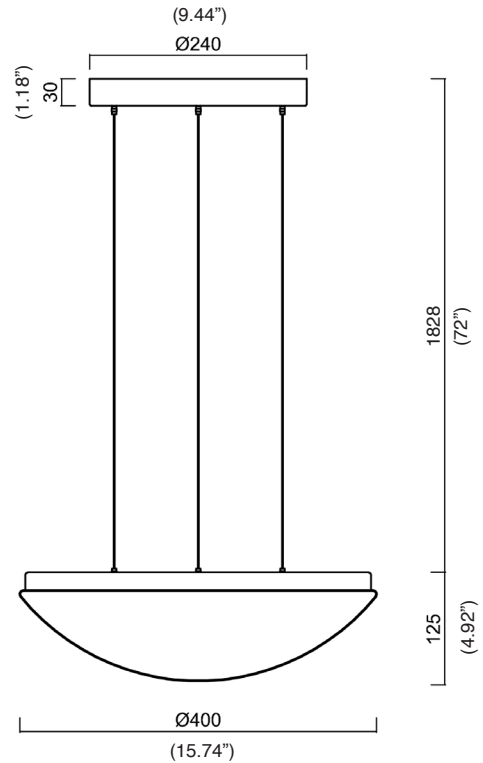
**Shade:** Matt opal polymethyl methacrylate - PMMA

**Electrical:** High efficiency electronic power supply, rated 50,000 hours 120V-277V

**Dimming:** Power supply compatible with 0-10V (D10) or LTE phase dimming (TRIAC).

**Finish:** White

**Base material:** Steel



Come with 72" air craft suspension cable, longer cable on request.

**Source:** LED module

3000K: 80CRI

4000K: 80CRI

**Lumen maintenance:** >80% of initial lumens at 50,000h

Input [W]	Lum. flux of light source [lm]		Lum. flux of luminaire [lm]	
	3000K	4000K	3000K	4000K
27	3690	3890	2550	2680

SPECIFICATION SHEET

## ORDERING INFO

Model (Order Code)	Structure Finish	LED	Driver Options
<input type="radio"/> L74TITANLE2 27W	<input type="radio"/> White RaI9003	<input type="radio"/> 3000K <input type="radio"/> 4000K	<input type="radio"/> 120V LTE <input type="radio"/> 120-277V 0-10V



# TITAN™ 500

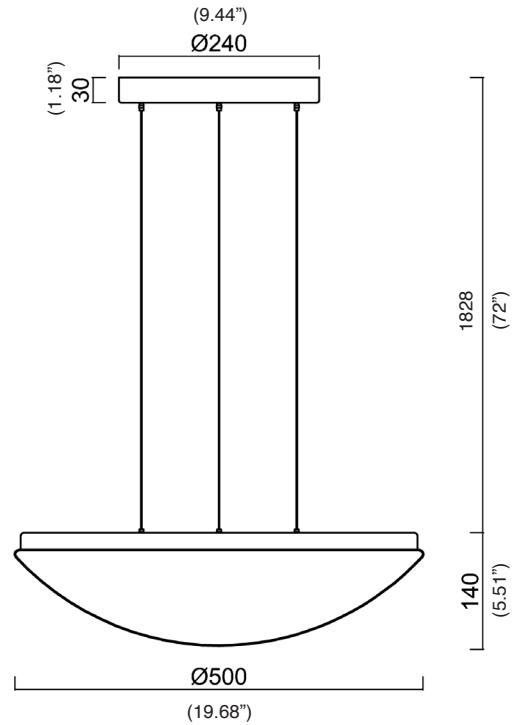
SUSPENSION

TYPE:

PROJECT NAME:



Round pendant light with shade diameter Ø500mm (19.68"). Product consists of cableless pendant and PMMA shade. Shade is fixed by two-step clamp holders. Suitable for indoor use.



Come with 72" air craft suspension cable, longer cable on request.

**Power input:** 35W

**Mounting:** 72" adjustable air craft cable and one canopy. Installs on a standard 4" junction box.

**Shade:** Matt opal polymethyl methacrylate - PMMA

**Electrical:** High efficiency electronic power supply, rated 50,000 hours 120V-277V

**Dimming:** Power supply compatible with 0-10V (D10) or LTE phase dimming (TRIAC).

**Finish:** White

**Base material:** Steel

**Source:** LED module

3000K: 80CRI

4000K: 80CRI

**Lumen maintenance:** >80% of initial lumens at 50,000h

Input [W]	Lum. flux of light source [lm]		Lum. flux of luminaire [lm]	
	3000K	4000K	3000K	4000K
35	5050	5330	3490	3680

SPECIFICATION SHEET

## ORDERING INFO

Model (Order Code)	Structure Finish	LED	Driver Options
<input type="radio"/> L74TITANLE3 35W	<input type="radio"/> White Ral9003	<input type="radio"/> 3000K <input type="radio"/> 4000K	<input type="radio"/> 120V LTE <input type="radio"/> 120-277V 0-10V

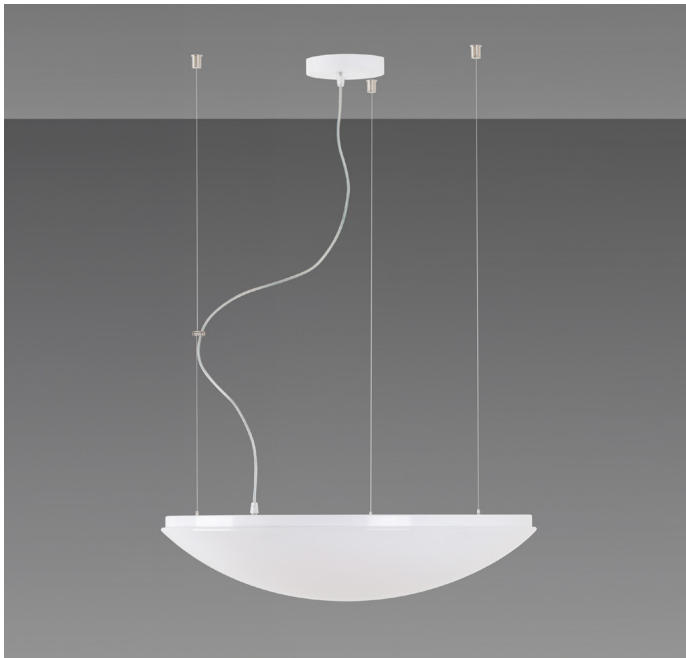


# TITAN™ 650

SUSPENSION

TYPE:

PROJECT NAME:



Cylindrical pendant light with shade diameter Ø650mm (25.59"). Product consists of powder-coated metal base and PMMA shade. Shade is fixed by two-step clamp holders. Suitable for indoor use.

**Power input:** 64W

**Mounting:** 72" adjustable air craft cable, clear power cord (white or black on request), and one canopy. Installs on a standard 4" junction box.

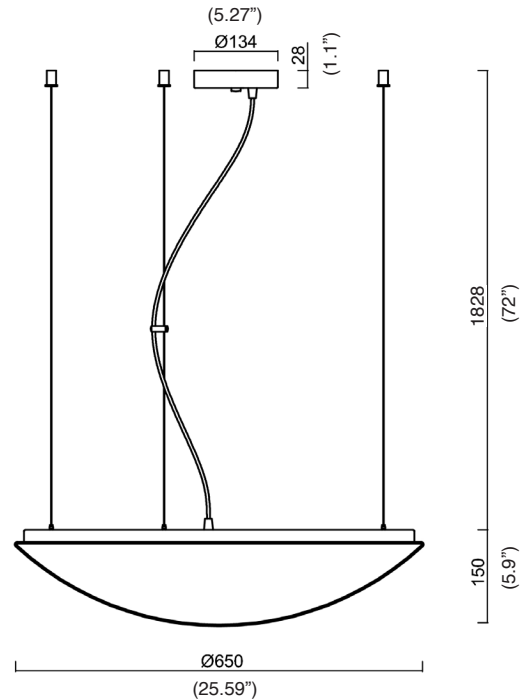
**Shade:** Matt opal polymethyl methacrylate - PMMA

**Electrical:** High efficiency electronic power supply, rated 50,000 hours 120V-277V

**Dimming:** Power supply compatible with 0-10V (D10) or LTE phase dimming (TRIAC).

**Finish:** White

**Base material:** Steel



Come with 72" air craft suspension cable, longer cable on request.

**Source:** LED module

3000K: 80CRI

4000K: 80CRI

**Lumen maintenance:** >80% of initial lumens at 50,000h

Input [W]	Lum. flux of light source [lm]		Lum. flux of luminaire [lm]	
	3000K	4000K	3000K	4000K
64	10210	10670	6740	7040

SPECIFICATION SHEET

## ORDERING INFO

Model (Order Code)	Structure Finish	LED	Driver Options
<input type="radio"/> L74TITANL4 64W	<input type="radio"/> White Ral 9003	<input type="radio"/> 3000K <input type="radio"/> 4000K	<input type="radio"/> 120V LTE <input type="radio"/> 120-277V 0-10V



**Luminart®**

WWW.LUMINARTLIGHTING.COM  
Last updated: 09/05/24

# TITAN™ 900

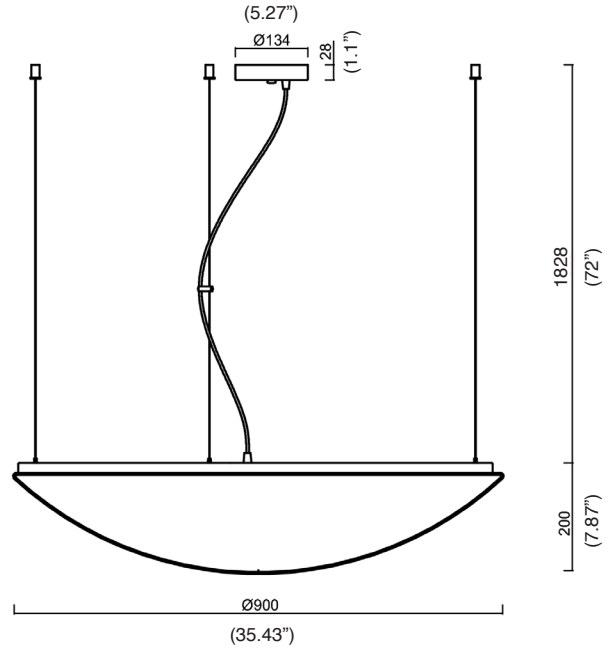
SUSPENSION

TYPE:

PROJECT NAME:



Cylindrical pendant light with shade diameter Ø900mm (35.43"). Product consists of powder-coated metal base and PMMA shade. Shade is fixed by two-step clamp holders. Suitable for indoor use.



Come with 72" air craft suspension cable, longer cable on request.

**Power input:** 98W

**Mounting:** 72" adjustable air craft cable, clear power cord (white or black on request), and one canopy. Installs on a standard 4" junction box.

**Shade:** Matt opal polymethyl methacrylate - PMMA

**Electrical:** High efficiency electronic power supply, rated 50,000 hours 120V-277V

**Dimming:** Power supply compatible with 0-10V (D10) or LTE phase dimming (TRIAC).

**Finish:** White

**Base material:** Steel

**Source:** LED module

3000K: 80CRI

4000K: 80CRI

**Lumen maintenance:** >80% of initial lumens at 50,000h

Input [W]	Lum. flux of light source [lm]		Lum. flux of luminaire [lm]	
	3000K	4000K	3000K	4000K
98	15310	16000	10720	11200

SPECIFICATION SHEET

## ORDERING INFO

Model (Order Code)	Structure Finish	LED	Driver Options
<input type="radio"/> L74TITANL5 98W	<input type="radio"/> White Ral 9003	<input type="radio"/> 3000K <input type="radio"/> 4000K	<input type="radio"/> 120V LTE <input type="radio"/> 120-277V 0-10V

