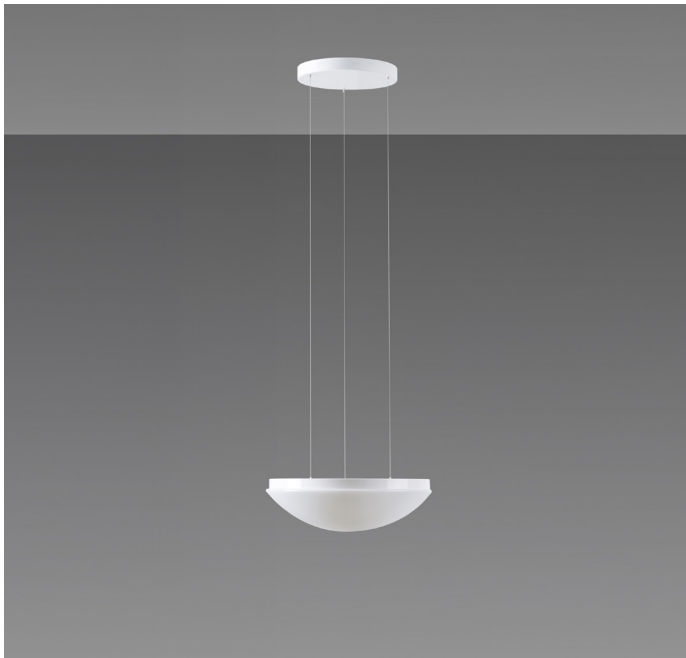


TITAN™ 400

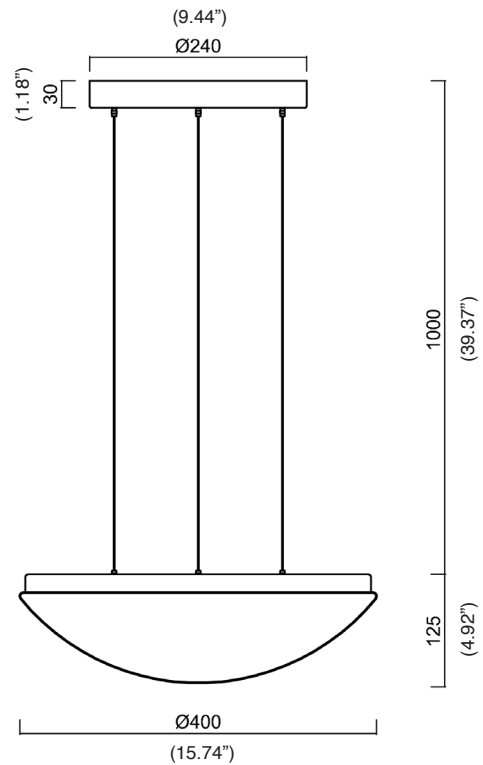
SUSPENSION

TYPE:

PROJECT NAME:



Round pendant light with shade diameter Ø400mm (15.74"). Product consists of cableless pendant and PMMA shade. Shade is fixed by two-step clamp holders. Suitable for indoor use.



Power input: 27W

Hanger: 3 wire with length 1000mm (39.37")

Mounting: Pendant

Shade: Matt opal polymethyl methacrylate - PMMA

Electrical: High efficiency electronic power supply, rated 50,000 hours 120V-277V

Dimming: Power supply compatible with 0-10V (UNV) or leading (TRIAC) and trailing edge (ELV) (120V only).

Finish: White

Base material: Steel

Source: LED module

3000K: 80CRI

4000K: 80CRI

Lumen maintenance: >80% of initial lumens at 50,000h

Input [W]	Lum. flux of light source [lm]		Lum. flux of luminaire [lm]	
	3000K	4000K	3000K	4000K
27	3690	3890	2550	2680

SPECIFICATION SHEET

ORDERING INFO

Model (Order Code)	Structure Finish	LED	Driver Options
<input type="radio"/> L74TITANLE2 27W	<input type="radio"/> White Ral9003	<input type="radio"/> 3000K <input type="radio"/> 4000K	<input type="radio"/> 120V Phase Dimming <input type="radio"/> 120V 0-10V Dimming <input type="radio"/> 277V 0-10V Dimming



Luminart®

WWW.LUMINARTLIGHTING.COM

TITAN™ 500

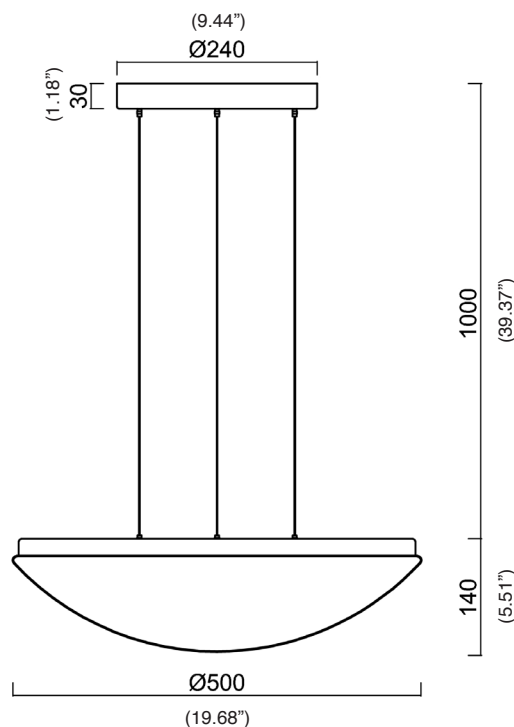
SUSPENSION

TYPE:

PROJECT NAME:



Round pendant light with shade diameter Ø500mm (19.68"). Product consists of cableless pendant and PMMA shade. Shade is fixed by two-step clamp holders. Suitable for indoor use.



Power input: 35W

Hanger: 3 wire with length 1000mm (39.37")

Mounting: Pendant

Shade: Matt opal polymethyl methacrylate - PMMA

Electrical: High efficiency electronic power supply, rated 50,000 hours 120V-277V

Dimming: Power supply compatible with 0-10V (UNV) or leading (TRIAC) and trailing edge (ELV) (120V only).

Finish: White

Base material: Steel

Source: LED module
3000K: 80CRI
4000K: 80CRI

Lumen maintenance: >80% of initial lumens at 50,000h

Input [W]	Lum. flux of light source [lm]		Lum. flux of luminaire [lm]	
	3000K	4000K	3000K	4000K
35	5050	5330	3490	3680

SPECIFICATION SHEET

ORDERING INFO

Model (Order Code)	Structure Finish	LED	Driver Options
<input type="radio"/> L74TITANLE3 35W	<input type="radio"/> White Ral9003	<input type="radio"/> 3000K <input type="radio"/> 4000K	<input type="radio"/> 120V Phase Dimming <input type="radio"/> 120V 0-10V Dimming <input type="radio"/> 277V 0-10V Dimming



Luminart®

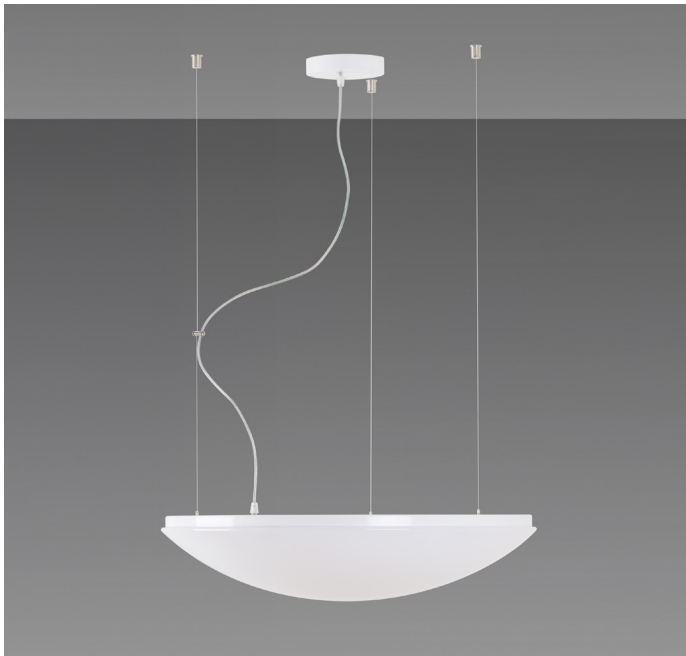
WWW.LUMINARTLIGHTING.COM

TITAN™ 650

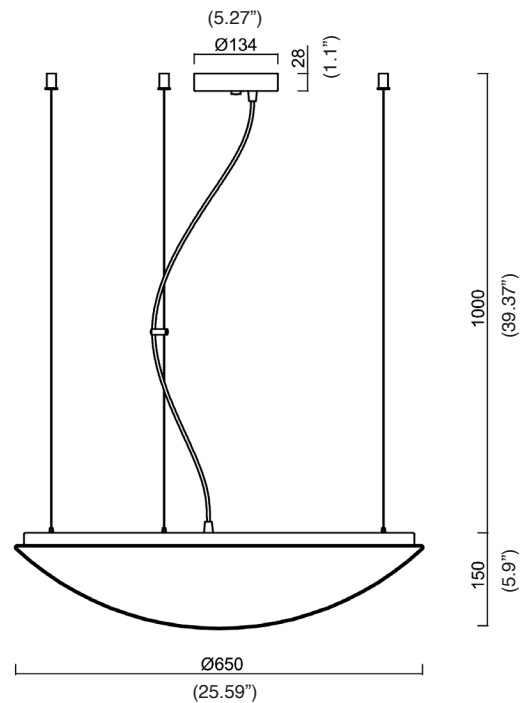
SUSPENSION

TYPE:

PROJECT NAME:



Cylindrical pendant light with shade diameter Ø650mm (25.59"). Product consists of powder-coated metal base and PMMA shade. Shade is fixed by two-step clamp holders. Suitable for indoor use.



Power input: 64W

Hanger: 3 wire with length 1000mm (39.37")

Mounting: Pendant

Shade: Matt opal polymethyl methacrylate - PMMA

Electrical: High efficiency electronic power supply, rated 50,000 hours 120V-277V

Dimming: Power supply compatible with 0-10V (UNV) or leading (TRIAC) and trailing edge (ELV) (120V only).

Finish: White

Base material: Steel

Source: LED module

3000K: 80CRI

4000K: 80CRI

Lumen maintenance: >80% of initial lumens at 50,000h

Input [W]	Lum. flux of light source [lm]		Lum. flux of luminaire [lm]	
	3000K	4000K	3000K	4000K
64	10210	10670	6740	7040

SPECIFICATION SHEET

ORDERING INFO

Model (Order Code)	Structure Finish	LED	Driver Options
<input type="radio"/> L74TITANL4 64W	<input type="radio"/> White Ral 9003	<input type="radio"/> 3000K <input type="radio"/> 4000K	<input type="radio"/> 120V Phase Dimming <input type="radio"/> 120V 0-10V Dimming <input type="radio"/> 277V 0-10V Dimming



Luminart®

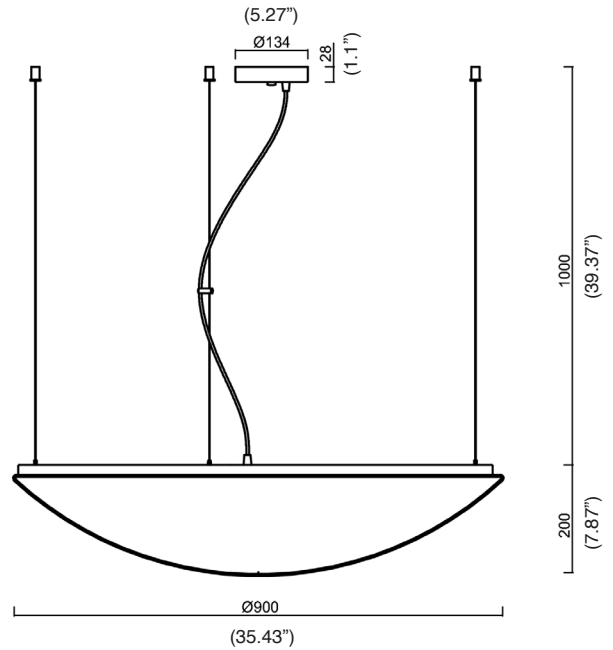
WWW.LUMINARTLIGHTING.COM

TITAN™ 900

SUSPENSION

TYPE:

PROJECT NAME:



Cylindrical pendant light with shade diameter Ø900mm (35.43"). Product consists of powder-coated metal base and PMMA shade. Shade is fixed by two-step clamp holders. Suitable for indoor use.

Power input: 98W

Hanger: 3 wire with length 1000mm (39.37")

Mounting: Pendant

Shade: Matt opal polymethyl methacrylate - PMMA

Electrical: High efficiency electronic power supply, rated 50,000 hours 120V-277V

Dimming: Power supply compatible with 0-10V (UNV) or leading (TRIAC) and trailing edge (ELV) (120V only).

Finish: White

Base material: Steel

Source: LED module

3000K: 80CRI

4000K: 80CRI

Lumen maintenance: >80% of initial lumens at 50,000h

Input [W]	Lum. flux of light source [lm]		Lum. flux of luminaire [lm]	
	3000K	4000K	3000K	4000K
98	15310	16000	10720	11200

SPECIFICATION SHEET

Model (Order Code)

L74TITANL5 98W

Structure Finish

White Ral 9003

LED

3000K
 4000K

Driver Options

120V Phase Dimming
 120V 0-10V Dimming
 277V 0-10V Dimming