

# TWINS LINES™

SUSPENSION

TYPE:

PROJECT NAME:



SPECIFICATION SHEET

## TWINS LINES

DESIGNED BY GLENN MARYS

**Luminart®**

WWW.LUMINARTLIGHTING.COM

# TWINS LINES™

SUSPENSION

TYPE:

PROJECT NAME:

## DIMENSIONS

Twins Lines is available in two structural sizes with an additional choice of three sizes of LED tubes.

**Twins Lines 120:** Length of 120cm (47.24")

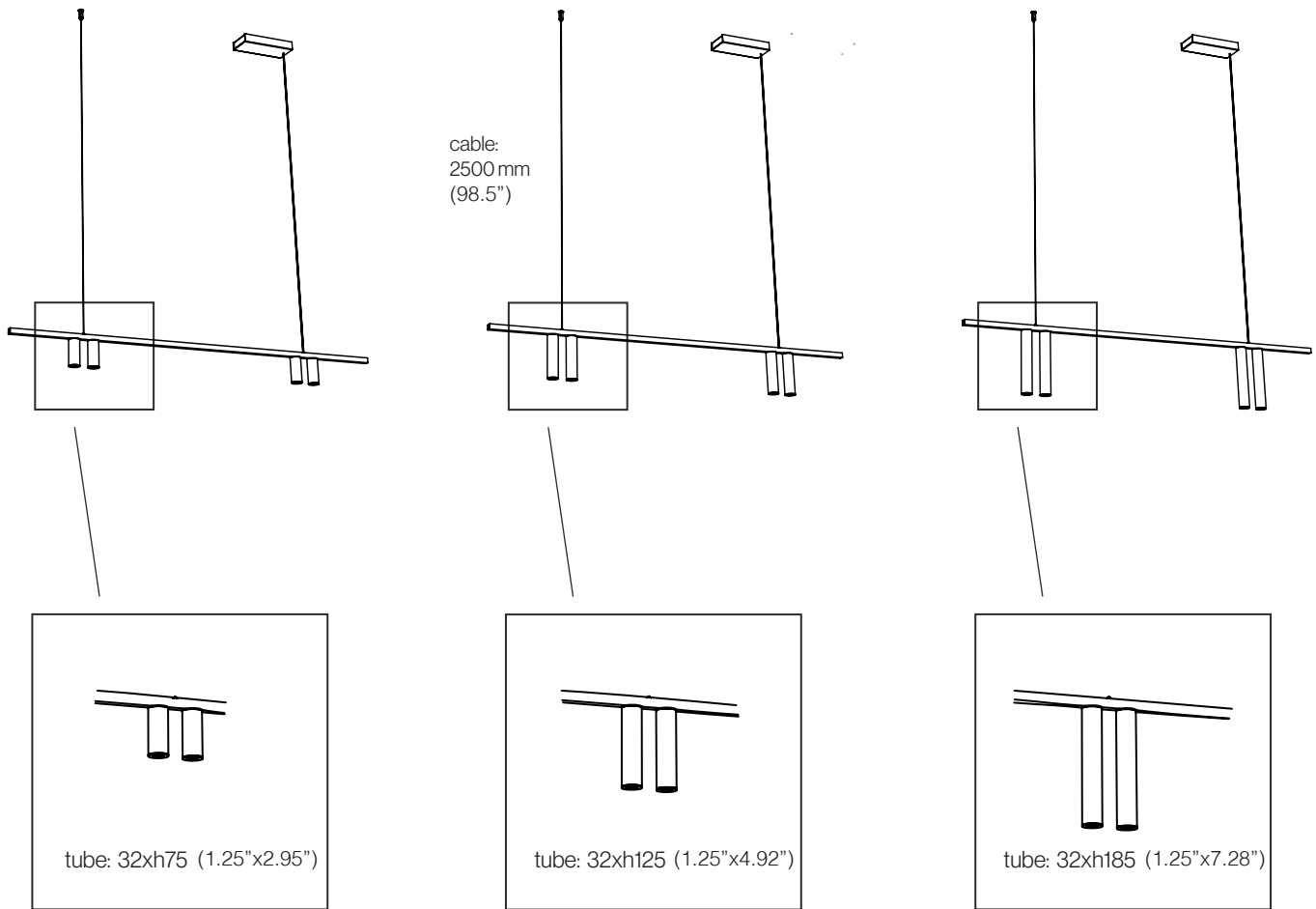
**Twins Lines 180:** Length of 180cm (70.86")

**Tube S:** 32mm x 75mm height (1.25" x 2.95")

**Tube M:** 32mm x 125mm height (1.25" x 4.92")

**Tube L:** 32mm x 185mm height (1.25" x 7.28")

The height (thickness) of the Lines structure is 12mm (0.47")



Tube S

Tube M

Tube L

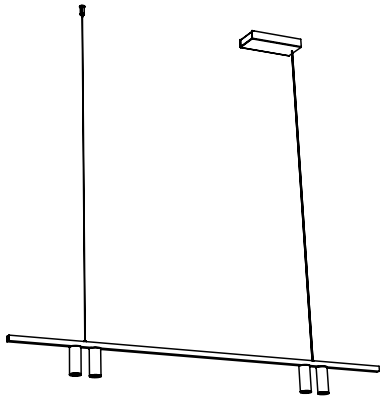
# TWINS LINES™

SUSPENSION

TYPE:

PROJECT NAME:

## TWINS LINES 120 -S-

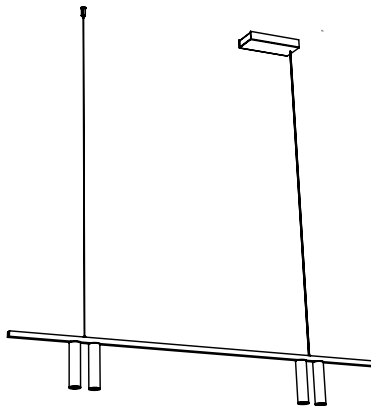


LAMP TYPE	LED
COLOUR TEMP.	2700K
WATTAGE	4x4W
VOLTAGE	45.2V - 350mA
LUMEN	4x400

### ORDER CODE

BLACK	L30T110H19DZL
BRONZE	L30T110H19DOE
BRUSHED BRASS	L30T110H19DLB
WHITE	L30T110H19DWL

## TWINS LINES 120 -M-

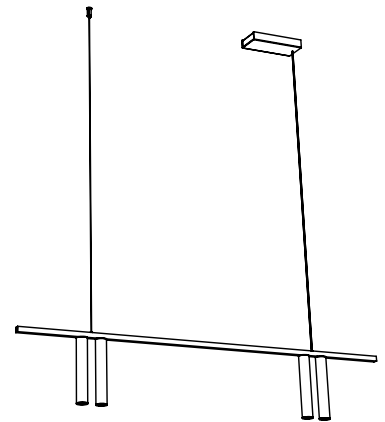


LAMP TYPE	LED
COLOUR TEMP.	2700K
WATTAGE	4x4W
VOLTAGE	45.2V - 350mA
LUMEN	4x400

### ORDER CODE

BLACK	L30T110H20DZL
BRONZE	L30T110H20DOE
BRUSHED BRASS	L30T110H20DLB
WHITE	L30T110H20DWL

## TWINS LINES 120 -L-



LAMP TYPE	LED
COLOUR TEMP.	2700K
WATTAGE	4x4W
VOLTAGE	45.2V - 350mA
LUMEN	4x400

### ORDER CODE

BLACK	L30T110H21DZL
BRONZE	L30T110H21DOE
BRUSHED BRASS	L30T110H21DLB
WHITE	L30T110H21DWL

SPECIFICATION SHEET

## ORDERING INFO

Model (Order Code)	LED	Driver Options
	<input type="radio"/> 2700K	<input type="radio"/> 120V Phase Dimming
		<input type="radio"/> 120V 0-10V Dimming
		<input type="radio"/> 277V 0-10V Dimming



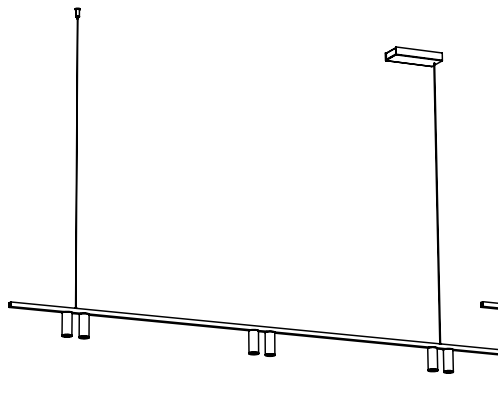
# TWINS LINES™

SUSPENSION

TYPE:

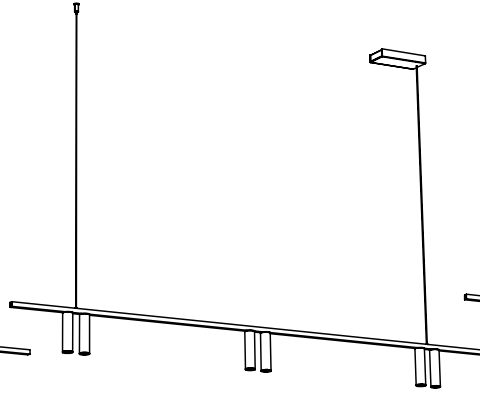
PROJECT NAME:

## TWINS LINES 180 -S-



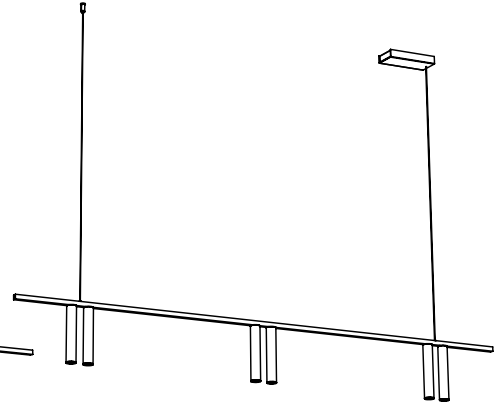
LAMP TYPE	LED
COLOUR TEMP.	2700K
WATTAGE	6x4W
VOLTAGE	67.8V - 350mA
LUMEN	6x400

## TWINS LINES 180 -M-



LAMP TYPE	LED
COLOUR TEMP.	2700K
WATTAGE	6x4W
VOLTAGE	67.8V - 350mA
LUMEN	6x400

## TWINS LINES 180 -L-



LAMP TYPE	LED
COLOUR TEMP.	2700K
WATTAGE	6x4W
VOLTAGE	67.8V - 350mA
LUMEN	6x400

### ORDER CODE

BLACK	L30T110H25DZL
BRONZE	L30T110H25DOE
BRUSHED BRASS	L30T110H25DLB
WHITE	L30T110H25DWL

### ORDER CODE

BLACK	L30T110H26DZL
BRONZE	L30T110H26DOE
BRUSHED BRASS	L30T110H26DLB
WHITE	L30T110H26DWL

### ORDER CODE

BLACK	L30T110H27DZL
BRONZE	L30T110H27DOE
BRUSHED BRASS	L30T110H27DLB
WHITE	L30T110H27DWL

SPECIFICATION SHEET

### ORDERING INFO

Model (Order Code)

LED

Driver Options

2700K

120V Phase Dimming

120V 0-10V Dimming

277V 0-10V Dimming



**Luminart®**

WWW.LUMINARTLIGHTING.COM