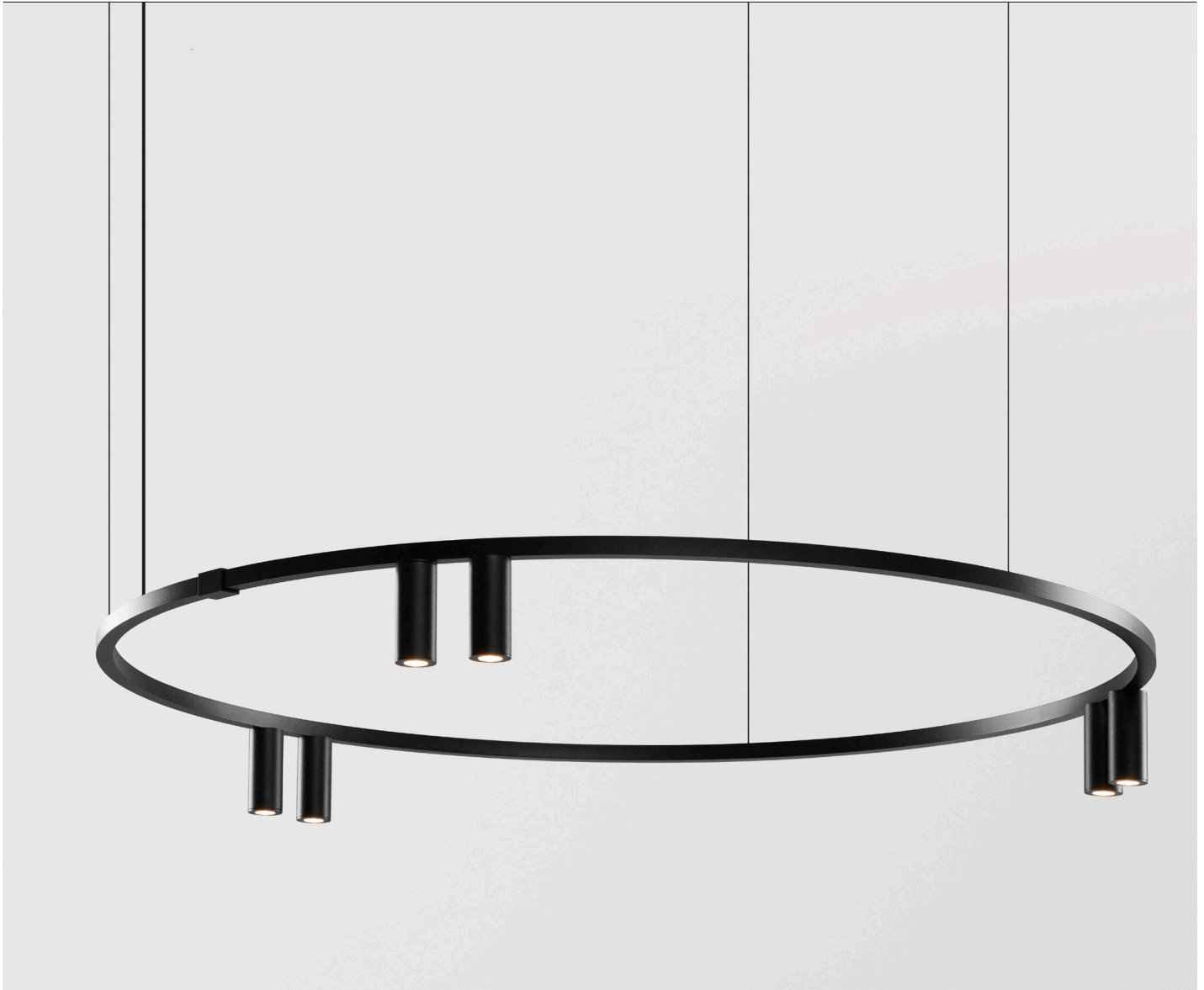


TWINS™

SUSPENSION

TYPE:

PROJECT NAME:



SPECIFICATION SHEET

TWINS

DESIGNED BY GLENN MARYS

Luminart®

WWW.LUMINARTLIGHTING.COM
Last updated: 09/18/24

DIMENSIONS

Twins is available in three sizes of rings with an additional choice of three sizes of LED tubes.

Ring 475: Diameter of 475mm (18.7")

Tube S: 32mm x 75mm height (1.25" x 2.95")

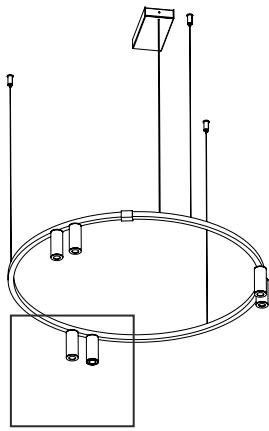
Ring 675: Diameter of 675mm (26.6")

Tube M: 32mm x 125mm height (1.25" x 4.92")

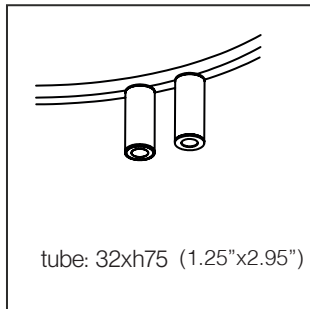
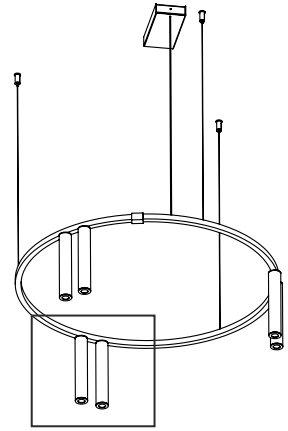
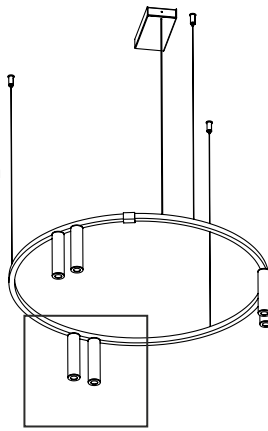
Ring 875: Diameter of 875mm (34.5")

Tube L: 32mm x 185mm height (1.25" x 7.28")

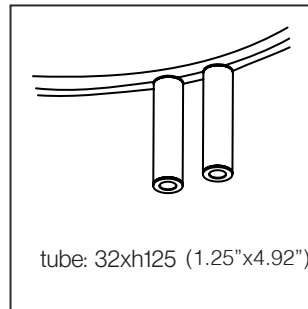
The height (thickness) of the rings is 12mm (0.47")



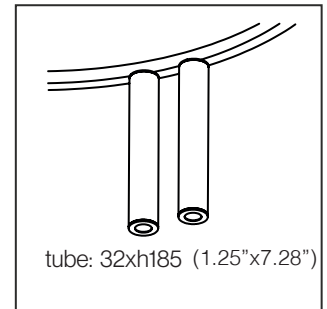
cable:
2500 mm
(98.5")



Tube S

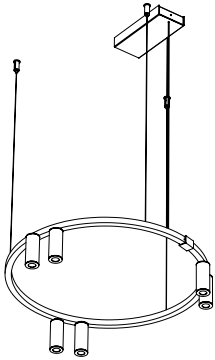


Tube M



Tube L

TWINS 475 -S-

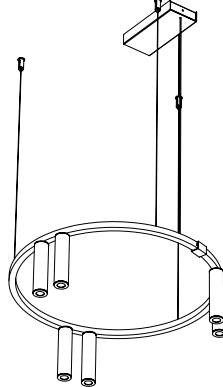


LAMP TYPE	LED
COLOUR TEMP.	2700K, 3000K
WATTAGE	6x4W
VOLTAGE	67.8V - 350mA
LUMEN	6x400

ORDER CODE

BLACK	L30T110H1DZL
BRONZE	L30T110H1DOE
BRUSHED BRASS	L30T110H1DLB
WHITE	L30T110H1DWL

TWINS 475 -M-

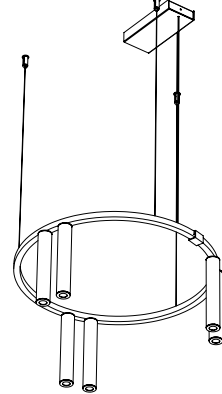


LAMP TYPE	LED
COLOUR TEMP.	2700K, 3000K
WATTAGE	6x4W
VOLTAGE	67.8V - 350mA
LUMEN	6x400

ORDER CODE

BLACK	L30T110H4DZL
BRONZE	L30T110H4DOE
BRUSHED BRASS	L30T110H4DLB
WHITE	L30T110H4DWL

TWINS 475 -L-



LAMP TYPE	LED
COLOUR TEMP.	2700K, 3000K
WATTAGE	6x4W
VOLTAGE	67.8V - 350mA
LUMEN	6x400

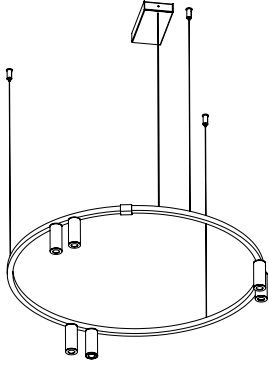
ORDER CODE

BLACK	L30T110H7DZL
BRONZE	L30T110H7DOE
BRUSHED BRASS	L30T110H7DLB
WHITE	L30T110H7DWL

TYPE:

PROJECT NAME:

TWINS 675 -S-

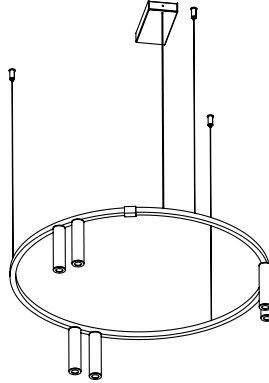


LAMP TYPE	LED
COLOUR TEMP.	2700K, 3000K
WATTAGE	6x4W
VOLTAGE	67.8V - 350mA
LUMEN	6x400

ORDER CODE

BLACK	L30T110H2DZL
BRONZE	L30T110H2DOE
BRUSHED BRASS	L30T110H2DLB
WHITE	L30T110H2DWL

TWINS 675 -M-

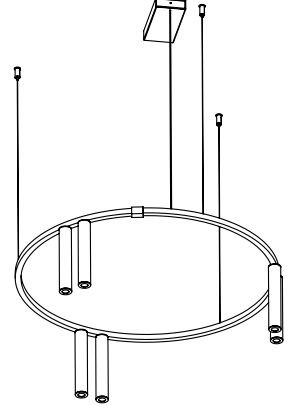


LAMP TYPE	LED
COLOUR TEMP.	2700K, 3000K
WATTAGE	6x4W
VOLTAGE	67.8V - 350mA
LUMEN	6x400

ORDER CODE

BLACK	L30T110H5DZL
BRONZE	L30T110H5DOE
BRUSHED BRASS	L30T110H5DLB
WHITE	L30T110H5DWL

TWINS 675 -L-



LAMP TYPE	LED
COLOUR TEMP.	2700K, 3000K
WATTAGE	6x4W
VOLTAGE	67.8V - 350mA
LUMEN	6x400

ORDER CODE

BLACK	L30T110H8DZL
BRONZE	L30T110H8DOE
BRUSHED BRASS	L30T110H8DLB
WHITE	L30T110H8DWL

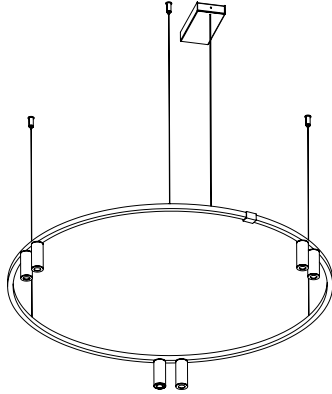
TWINS™

SUSPENSION

TYPE:

PROJECT NAME:

TWINS 875 -S-

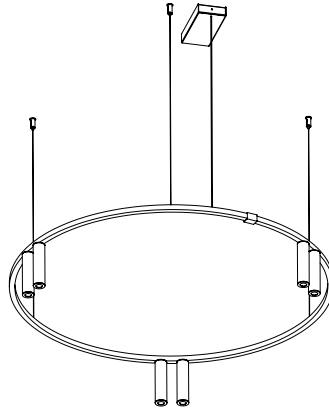


LAMP TYPE	LED
COLOUR TEMP.	2700K, 3000K
WATTAGE	6x4W
VOLTAGE	67.8V - 350mA
LUMEN	6x400

ORDER CODE

BLACK	L30T110H3DZL
BRONZE	L30T110H3DOE
BRUSHED BRASS	L30T110H3DLB
WHITE	L30T110H3DWL

TWINS 875 -M-

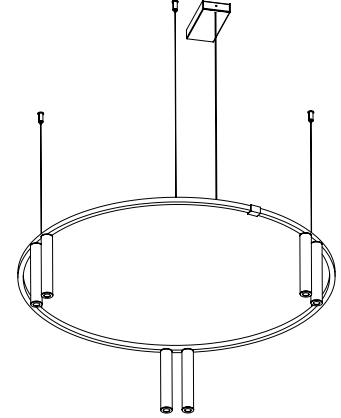


LAMP TYPE	LED
COLOUR TEMP.	2700K, 3000K
WATTAGE	6x4W
VOLTAGE	67.8V - 350mA
LUMEN	6x400

ORDER CODE

BLACK	L30T110H6DZL
BRONZE	L30T110H6DOE
BRUSHED BRASS	L30T110H6DLB
WHITE	L30T110H6DWL

TWINS 875 -L-



LAMP TYPE	LED
COLOUR TEMP.	2700K, 3000K
WATTAGE	6x4W
VOLTAGE	67.8V - 350mA
LUMEN	6x400

ORDER CODE

BLACK	L30T110H9DZL
BRONZE	L30T110H9DOE
BRUSHED BRASS	L30T110H9DLB
WHITE	L30T110H9DWL

SPECIFICATION SHEET

ORDERING INFO

Model 1 (Order Code)	Model 2 (Order Code)	Model 3 (Order Code)	LED	Driver Options
<input type="radio"/> Single Ring			<input type="radio"/> 2700K	<input type="radio"/> 120V LTE Phase Dimming
<input type="radio"/> Double Rings			<input type="radio"/> 3000K	<input type="radio"/> 120V-277V 0-10V Dimming
<input type="radio"/> Triple Rings				

