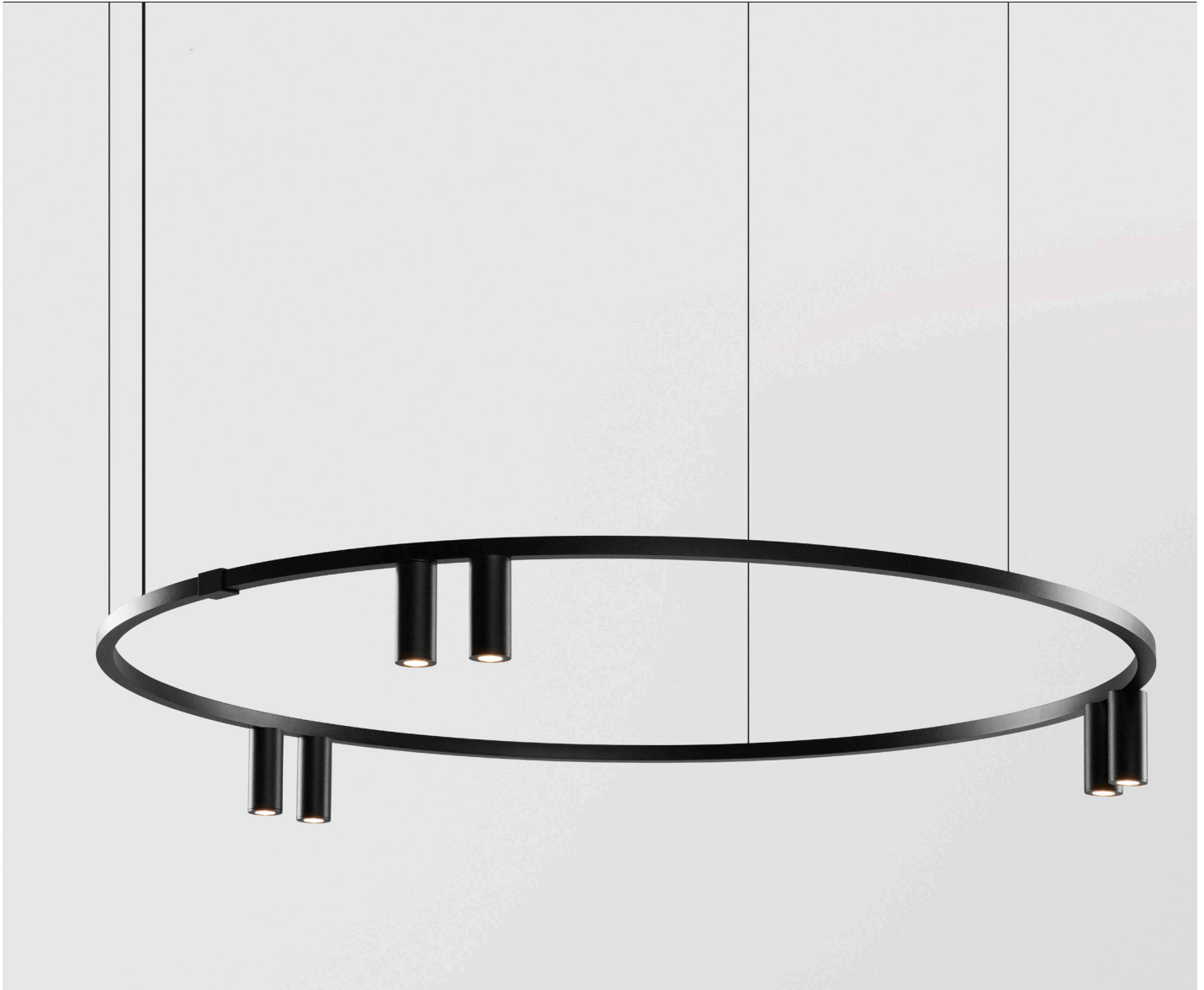


TWINS™

SUSPENSION

TYPE:

PROJECT NAME:



SPECIFICATION SHEET

TWINS

DESIGNED BY GLENN MARYS

Luminart®

WWW.LUMINARTLIGHTING.COM

DIMENSIONS

Twins is available in three sizes of rings with an additional choice of three sizes of LED tubes.

Ring 475: Diameter of 475mm (18.7")

Tube S: 32mm x 75mm height (1.25" x 2.95")

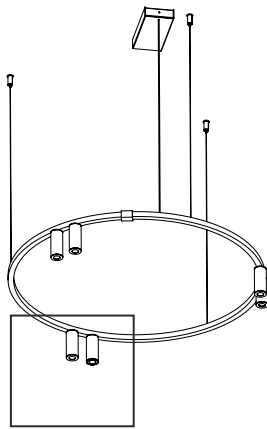
Ring 675: Diameter of 675mm (26.6")

Tube M: 32mm x 125mm height (1.25" x 4.92")

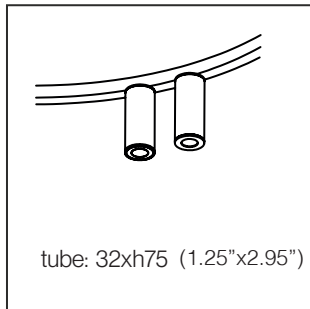
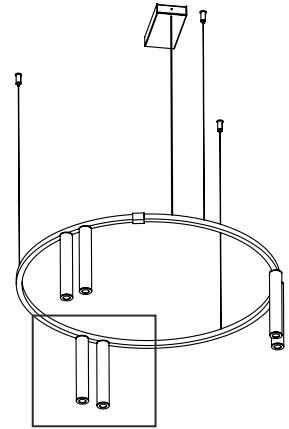
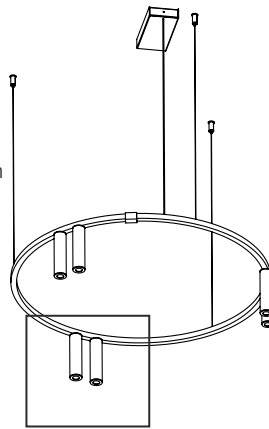
Ring 875: Diameter of 875mm (34.5")

Tube L: 32mm x 185mm height (1.25" x 7.28")

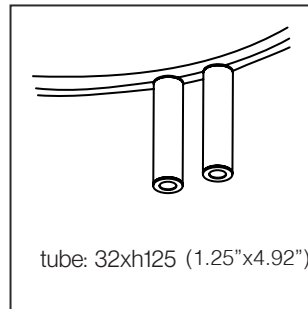
The height (thickness) of the rings is 12mm (0.47")



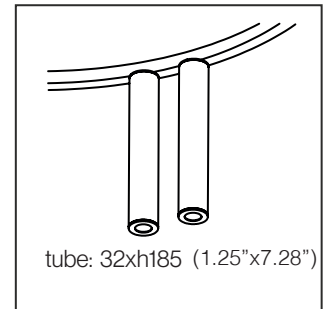
cable:
2500 mm
(98.5")



Tube S

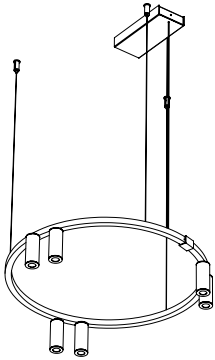


Tube M



Tube L

TWINS 475 -S-

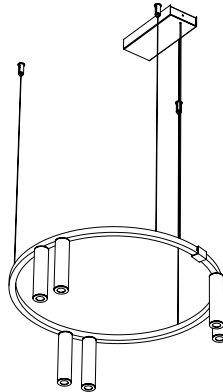


LAMP TYPE	LED
COLOUR TEMP.	2700K, 3000K, 4000K
WATTAGE	6x4W
VOLTAGE	67.8V - 350mA
LUMEN	6x400

ORDER CODE

BLACK	L30T110H1DZL
BRONZE	L30T110H1DOE
BRUSHED BRASS	L30T110H1DLB
WHITE	L30T110H1DWL

TWINS 475 -M-

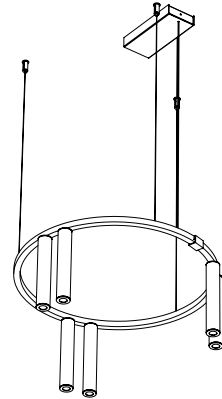


LAMP TYPE	LED
COLOUR TEMP.	2700K, 3000K, 4000K
WATTAGE	6x4W
VOLTAGE	67.8V - 350mA
LUMEN	6x400

ORDER CODE

BLACK	L30T110H4DZL
BRONZE	L30T110H4DOE
BRUSHED BRASS	L30T110H4DLB
WHITE	L30T110H4DWL

TWINS 475 -L-

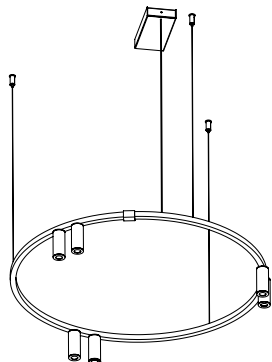


LAMP TYPE	LED
COLOUR TEMP.	2700K, 3000K, 4000K
WATTAGE	6x4W
VOLTAGE	67.8V - 350mA
LUMEN	6x400

ORDER CODE

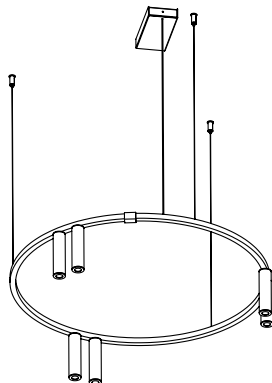
BLACK	L30T110H7DZL
BRONZE	L30T110H7DOE
BRUSHED BRASS	L30T110H7DLB
WHITE	L30T110H7DWL

TWINS 675 -S-



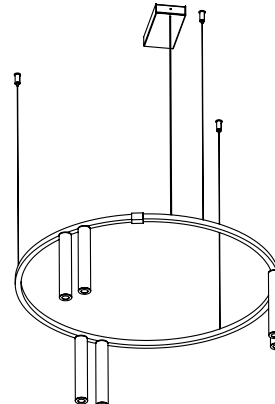
LAMP TYPE	LED
COLOUR TEMP.	2700K, 3000K, 4000K
WATTAGE	6x4W
VOLTAGE	67.8V - 350mA
LUMEN	6x400

TWINS 675 -M-



LAMP TYPE	LED
COLOUR TEMP.	2700K, 3000K, 4000K
WATTAGE	6x4W
VOLTAGE	67.8V - 350mA
LUMEN	6x400

TWINS 675 -L-



LAMP TYPE	LED
COLOUR TEMP.	2700K, 3000K, 4000K
WATTAGE	6x4W
VOLTAGE	67.8V - 350mA
LUMEN	6x400

ORDER CODE

BLACK	L30T110H2DZL
BRONZE	L30T110H2DOE
BRUSHED BRASS	L30T110H2DLB
WHITE	L30T110H2DWL

ORDER CODE

BLACK	L30T110H5DZL
BRONZE	L30T110H5DOE
BRUSHED BRASS	L30T110H5DLB
WHITE	L30T110H5DWL

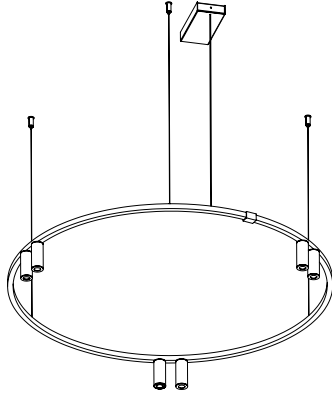
ORDER CODE

BLACK	L30T110H8DZL
BRONZE	L30T110H8DOE
BRUSHED BRASS	L30T110H8DLB
WHITE	L30T110H8DWL

TYPE:

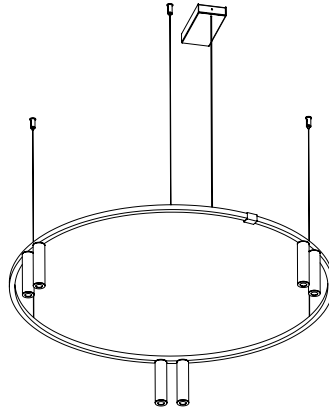
PROJECT NAME:

TWINS 875 -S-



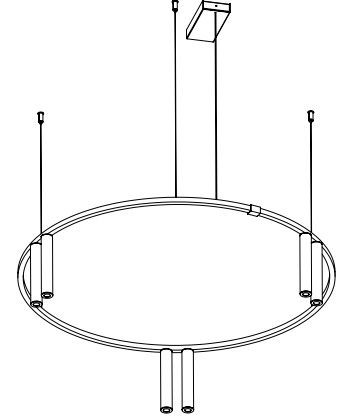
LAMP TYPE	LED
COLOUR TEMP.	2700K, 3000K, 4000K
WATTAGE	6x4W
VOLTAGE	67.8V - 350mA
LUMEN	6x400

TWINS 875 -M-



LAMP TYPE	LED
COLOUR TEMP.	2700K, 3000K, 4000K
WATTAGE	6x4W
VOLTAGE	67.8V - 350mA
LUMEN	6x400

TWINS 875 -L-



LAMP TYPE	LED
COLOUR TEMP.	2700K, 3000K, 4000K
WATTAGE	6x4W
VOLTAGE	67.8V - 350mA
LUMEN	6x400

ORDER CODE

BLACK	L30T110H3DZL
BRONZE	L30T110H3DOE
BRUSHED BRASS	L30T110H3DLB
WHITE	L30T110H3DWL

ORDER CODE

BLACK	L30T110H6DZL
BRONZE	L30T110H6DOE
BRUSHED BRASS	L30T110H6DLB
WHITE	L30T110H6DWL

ORDER CODE

BLACK	L30T110H9DZL
BRONZE	L30T110H9DOE
BRUSHED BRASS	L30T110H9DLB
WHITE	L30T110H9DWL

SPECIFICATION SHEET

ORDERING INFO

Model 1 (Order Code)	Model 2 (Order Code)	Model 3 (Order Code)	LED	Driver Options
<input type="radio"/> Single Ring			<input type="radio"/> 2700K	<input type="radio"/> 120V LTE Phase Dimming
<input type="radio"/> Double Rings			<input type="radio"/> 3000K	<input type="radio"/> 120V-277V 0-10V Dimming
<input type="radio"/> Triple Rings			<input type="radio"/> 4000K	(Universal Voltage)

