

TYRIUS™ COLLECTION

SUSPENSION

TYPE:

PROJECT NAME:



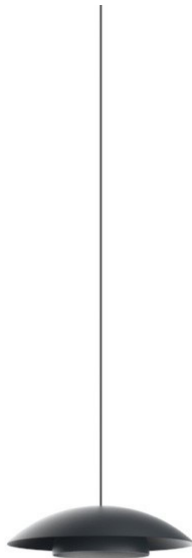
Collection:



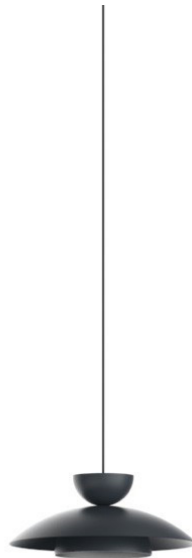
Tyrius Model 1
L6531310-



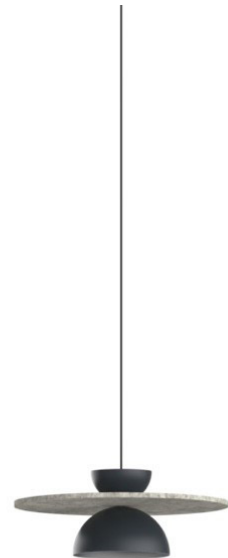
Tyrius Model 2
L6531320-



Tyrius Model 3
L6531330-



Tyrius Model 4
L6531340-



Tyrius Model 5 Acoustic
L6531350-

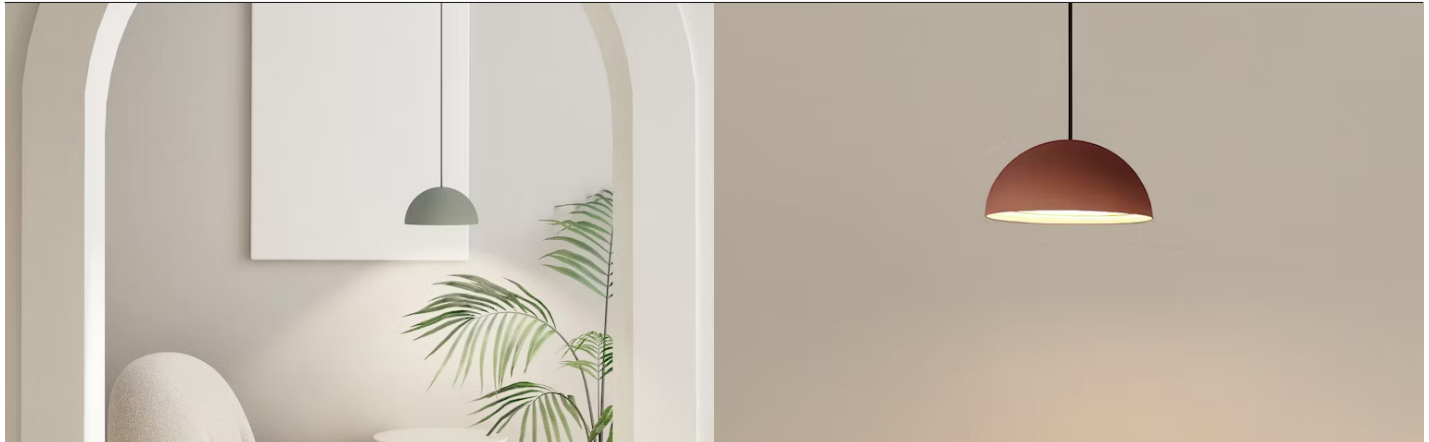
SPECIFICATION SHEET

TYRIUS™ MODEL 1

SUSPENSION

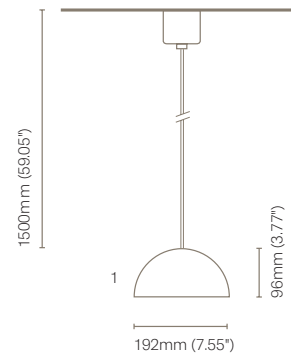
TYPE:

PROJECT NAME:



Technical information

Index Protection	IP20
Driver	Included
CRI	90
Temperature	2700K / 3000K
Lifetime	50.000h
Technology	LED
Guarantee	5 years
Voltage	120V



Tyrius Model 1
L6531310-

Model

	Cup 1 Finish	CRI/TEMP.	LED
L6531310	M Grey blue	H 927	1 1300lm/12W
	J Cement grey	E 930	
	E Silk grey		
	S Red oxide		

SPECIFICATION SHEET

ORDERING INFO

Model (Order Code)	Cup 1 Finish	LED Temp	Driver Options
	<input type="radio"/> Grey Blue <input type="radio"/> Cement Grey <input type="radio"/> Silk Grey <input type="radio"/> Red Oxide	<input type="radio"/> 2700K <input type="radio"/> 3000K	<input type="radio"/> 120V Phase Dimming <input type="radio"/> 120V 0-10V Dimming <input type="radio"/> 277V 0-10V Dimming

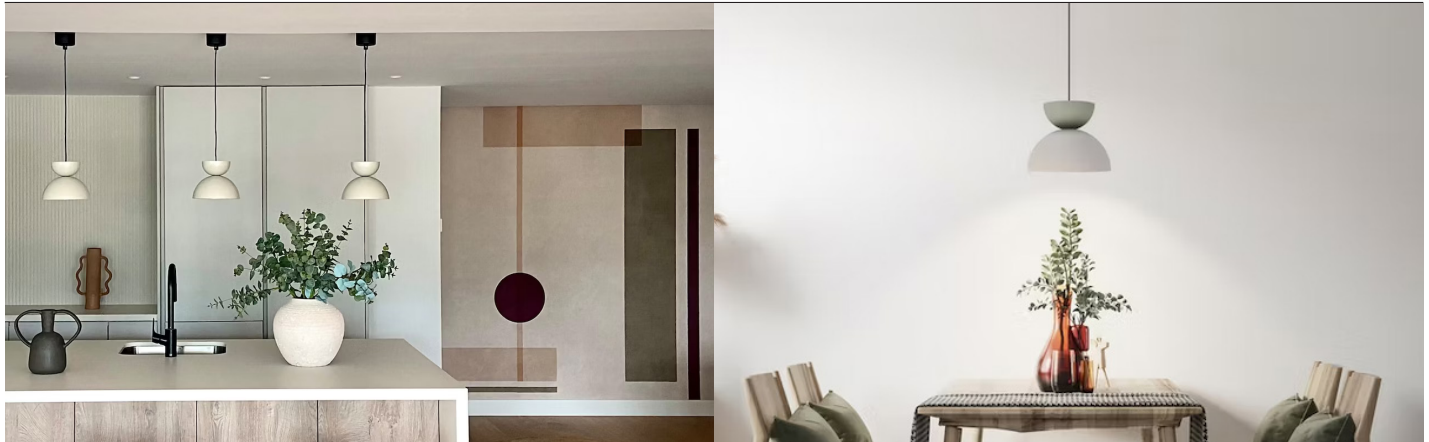


TYRIUS™ MODEL 2

SUSPENSION

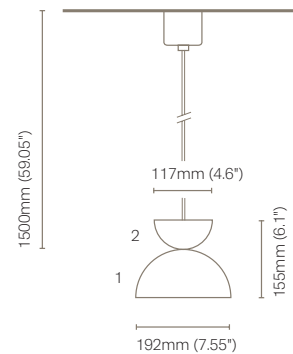
TYPE:

PROJECT NAME:



Technical information

Index Protection	IP20
Driver	Included
CRI	90
Temperature	2700K / 3000K
Lifetime	50.000h
Technology	LED
Guarantee	5 years
Voltage	120V



Tyrius Model 2
L6531320-

Model

	Cup 1 Finish	Cup 2 Finish	CRI/TEMP.	LED
L6531320	● M Grey blue	M Grey blue	H 927	1 1300lm/12W
	● J Cement grey	J Cement grey	E 930	
	● E Silk grey	E Silk grey		
	● S Red oxide	S Red Oxide		

SPECIFICATION SHEET

ORDERING INFO

Model (Order Code)	Cup 1 Finish	Cup 2 Finish	LED Temp	Driver Options
	<input type="radio"/> Grey Blue <input type="radio"/> Cement Grey <input type="radio"/> Silk Grey <input type="radio"/> Red Oxide	<input type="radio"/> Grey Blue <input type="radio"/> Cement Grey <input type="radio"/> Silk Grey <input type="radio"/> Red Oxide	<input type="radio"/> 2700K <input type="radio"/> 3000K	<input type="radio"/> 120V Phase Dimming <input type="radio"/> 120V 0-10V Dimming <input type="radio"/> 277V 0-10V Dimming



TYRIUS™ MODEL 3

SUSPENSION

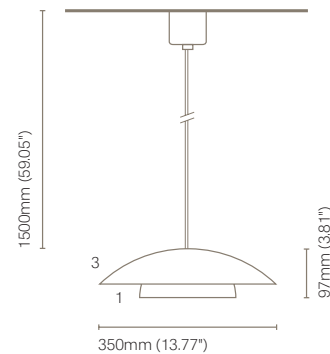
TYPE:

PROJECT NAME:



Technical information

Index Protection	IP20
Driver	Included
CRI	90
Temperature	2700K / 3000K
Lifetime	50.000h
Technology	LED
Guarantee	5 years
Voltage	120V



Tyrius Model 3
L6531330-

Model:

	Cup 1 Finish	Cup 3 Finish	CRI/TEMP.	LED
L6531330	● M Grey blue	M Grey blue	H 927	1 1300lm/12W
	● J Cement grey	J Cement grey	E 930	
	● E Silk grey	E Silk grey		
	● S Red oxide	S Red Oxide		

SPECIFICATION SHEET

ORDERING INFO

Model (Order Code)	Cup 1 Finish	Cup 3 Finish	LED Temp	Driver Options
	<input type="radio"/> Grey Blue	<input type="radio"/> Grey Blue	<input type="radio"/> 2700K	<input type="radio"/> 120V Phase Dimming
	<input type="radio"/> Cement Grey	<input type="radio"/> Cement Grey	<input type="radio"/> 3000K	<input type="radio"/> 120V 0-10V Dimming
	<input type="radio"/> Silk Grey	<input type="radio"/> Silk Grey		<input type="radio"/> 277V 0-10V Dimming
	<input type="radio"/> Red Oxide	<input type="radio"/> Red Oxide		



Luminart®

WWW.LUMINARTLIGHTING.COM

TYRIUS™ MODEL 4

SUSPENSION

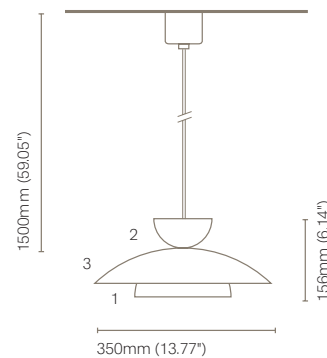
TYPE:

PROJECT NAME:



Technical information

Index Protection	IP20
Driver	Included
CRI	90
Temperature	2700K / 3000K
Lifetime	50.000h
Technology	LED
Guarantee	5 years
Voltage	120V



Model:

Tyrius Model 4
L6531340-

	Cup 1 Finish	Cup 2 Finish	Cup 3 Finish	CRI/TEMP.	LED
L6531340	● M Grey blue	M Grey blue	M Grey blue	H 927	1 1300lm/12W
	● J Cement grey	J Cement grey	J Cement grey	E 930	
	● E Silk grey	E Silk grey	E Silk grey		
	● S Red oxide	S Red Oxide	S Red Oxide		

SPECIFICATION SHEET

ORDERING INFO

Model (Order Code)	Cup 1 Finish	Cup 2 Finish	Cup 3 Finish	LED Temp	Driver Options
	<input type="radio"/> Grey Blue	<input type="radio"/> Grey Blue	<input type="radio"/> Grey Blue	<input type="radio"/> 2700K	<input type="radio"/> 120V Phase Dimming
	<input type="radio"/> Cement Grey	<input type="radio"/> Cement Grey	<input type="radio"/> Cement Grey	<input type="radio"/> 3000K	<input type="radio"/> 120V 0-10V Dimming
	<input type="radio"/> Silk Grey	<input type="radio"/> Silk Grey	<input type="radio"/> Silk Grey		<input type="radio"/> 277V 0-10V Dimming
	<input type="radio"/> Red Oxide	<input type="radio"/> Red Oxide	<input type="radio"/> Red Oxide		



Luminart®

WWW.LUMINARTLIGHTING.COM

TYRIUS™ MODEL 5 ACOUSTIC TYPE:

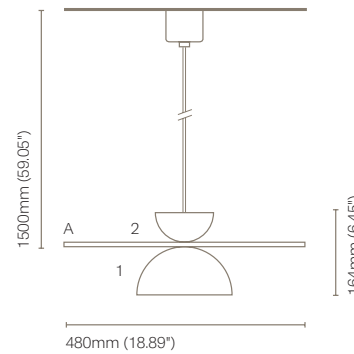
SUSPENSION

PROJECT NAME:



Technical information

Index Protection	IP20
Driver	Included
CRI	90
Temperature	2700K / 3000K
Lifetime	50.000h
Technology	LED
Guarantee	5 years
Voltage	120V



Tyrius Model 5 Acoustic
L6531350-

Model:

	Cup 1 Finish	Cup 2 Finish	Acoustic Panel Finish	CRI/TEMP.	LED
L6531340	● M Grey blue	M Grey blue	● S Silver grey	H 927	1 1300lm/12W
	● J Cement grey	J Cement grey	● A Anthracite	E 930	
	● E Silk grey	E Silk grey	● D Dark camel		
	● S Red oxide	S Red oxide			

SPECIFICATION SHEET

ORDERING INFO

Model (Order Code)	Cup 1 Finish	Cup 2 Finish	Acoustic Panel	LED Temp	Driver Options
	<input type="radio"/> Grey Blue	<input type="radio"/> Grey Blue	<input type="radio"/> Silver Grey	<input type="radio"/> 2700K	<input type="radio"/> 120V Phase Dimming
	<input type="radio"/> Cement Grey	<input type="radio"/> Cement Grey	<input type="radio"/> Anthracite	<input type="radio"/> 3000K	<input type="radio"/> 120V 0-10V Dimming
	<input type="radio"/> Silk Grey	<input type="radio"/> Silk Grey	<input type="radio"/> Dark Camel		<input type="radio"/> 277V 0-10V Dimming
	<input type="radio"/> Red Oxide	<input type="radio"/> Red Oxide			



Luminart®

WWW.LUMINARTLIGHTING.COM