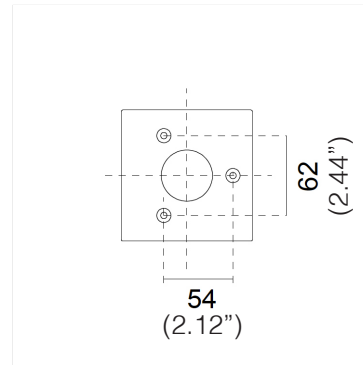
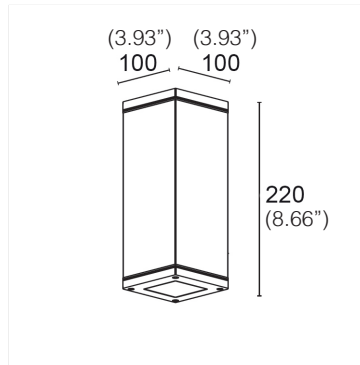


UP & DOWN™ Q

CEILING

TYPE:

PROJECT NAME:



FIXTURE SPECIFICATIONS

ASSEMBLY / USAGE

Ceiling installation

PROTECTION

IP 65 - IK 07

BODY

Die-cast aluminum

SCREEN

Tempered extra-clear glass 6mm (0.23") with silk-screen printing

SEALS

Closed-cell EPDM rubber

SCREWS

Stainless steel A2

PAINT / FINISHING

Anti-corrosive UV stabilised polyester powder

ELECTRICAL SPECIFICATIONS

POWER SUPPLY

120-277Vac 50/60Hz

DRIVER

Built-in

POWER MODULE LED

11W

ABSORBED POWER

13W

SOURCE

LED COB

APPARENT EFFICIENCY

91 %

INSULATION CLASS

I

OVERVOLTAGE PROTECTION

2kv-4kv

CRI

>80

STEP MACADAM

3

LIFE TIME TM-21

L80B10 50000h

PHOTOBIOLOGICAL RISK

RG1

COLORS



00
PURE
WHITE RAL
9016



01
BLACK RAL
9005



10
WHITE RAL
9010



24
BRONZE



25
RUST



30
ANTHRACIT
E



35
SLATE
GREY



40
GREY RAL
9006

SPECIFICATION SHEET

Luminart®




WWW.LUMINARTLIGHTING.COM

UP & DOWN™ Q

CEILING

TYPE:

PROJECT NAME:

Beam	Class	IP	W	Fixture	CCT LED
 Downlight Flood/10°	I	65	13W	1171 lm	2700K
 Downlight Flood/26°	I	65	13W	1177 lm	2700K
 Downlight Wide Flood/56°	I	65	13W	1074 lm	2700K
 Downlight Flood/10°	I	65	13W	1233 lm	3000K
 Downlight Flood/26°	I	65	13W	1239 lm	3000K
 Downlight Wide Flood/56°	I	65	13W	1131 lm	3000K
 Downlight Flood/10°	I	65	13W	1283 lm	4000K
 Downlight Flood/26°	I	65	13W	1288 lm	4000K
 Downlight Wide Flood/56°	I	65	13W	1177 lm	4000K

ORDERING INFO

L90UP&DOWN Q

Model (Order Code)	Optic Options	Finish Options	LED	Dimming Options
<input type="radio"/> L90UP&DOWN Q	<input type="radio"/> 10: Downlight Flood / 10° <input type="radio"/> 10: Downlight Flood / 26° <input type="radio"/> 10: Downlight Flood / 56°	<input type="radio"/> 00: Pure White <input type="radio"/> 01: Black <input type="radio"/> 10: White <input type="radio"/> 24: Bronze <input type="radio"/> 25: Rust <input type="radio"/> 30: Anthracite <input type="radio"/> 35: Slate Grey <input type="radio"/> 40: Grey	<input type="radio"/> 27: 2700K <input type="radio"/> 30: 3000K <input type="radio"/> 40: 4000K	<input type="radio"/> 120V LTE <input type="radio"/> 120V-277V 0-10V (Universal Voltage)



SPECIFICATION SHEET