

# VISION™ 3

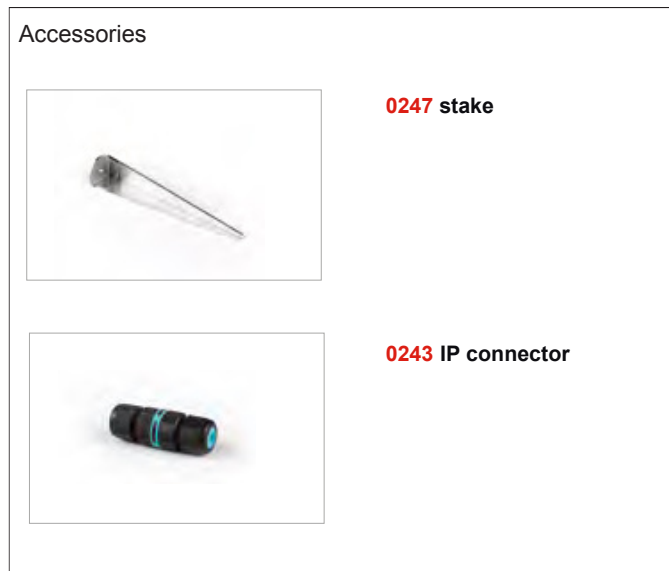
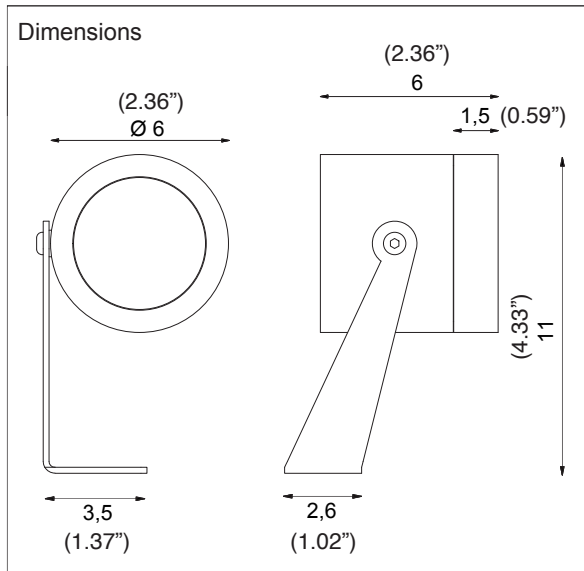
SPOTLIGHT

TYPE:

PROJECT NAME:



materials:	anodized aluminum frame, AISI 316L stainless steel stake		
light:	direct		
light sources:			
<i>Color temperature</i>	<i>Optics</i>	<i>LED light source</i>	<i>lm source</i>
<i>/W</i>	<i>/15 /28 /60</i>	8,7W 17,5V 500mA	1223lm 4000K
<i>/WW</i>	<i>/15 /28 /60</i>	8,7W 17,5V 500mA	1156lm 3000K
<i>/XW</i>	<i>/15 /28 /60</i>	8,7W 17,5V 500mA	1106lm 2700K
IP grade:	IP66		
net weight:	0,50 Kg		
finishes:	.34 corten painted .39 anthracite painted .45 anodized aluminum		
symbols:			



SPECIFICATION SHEET

## ORDERING INFO

L674531

Model (Order Code)	Structure Finishes	Optic	LED	Accessories	Remote Driver Options (500mA)
<input type="radio"/> L674531 8.7W	<input type="radio"/> 34: Corten Painted <input type="radio"/> 39: Anthracite Painted <input type="radio"/> 45: Anodized Aluminum	<input type="radio"/> 15: 15° <input type="radio"/> 28: 28° <input type="radio"/> 60: 60°	<input type="radio"/> XW: 2700K <input type="radio"/> WW: 3000K <input type="radio"/> W: 4000K	<input type="radio"/> 0247: Stake <input type="radio"/> 0243: IP Connector	<input type="radio"/> 120V On/Off (12W, 1 Fixture) <input type="radio"/> 120V Phase Dimming (25W, Min 2 Max 3) <input type="radio"/> 120V 0-10V Dimming (25W, Min 2 Max 3) <input type="radio"/> 277V 0-10V Dimming (25W, Min 2 Max 3)

