

VITREO™

SUSPENSION VERTICAL

TYPE:

PROJECT NAME:



SPECIFICATION SHEET

Luminart®

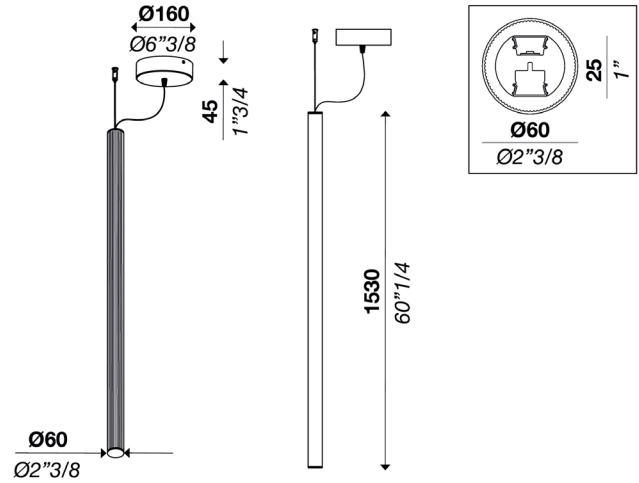
WWW.LUMINARTLIGHTING.COM

VITREO™

SUSPENSION VERTICAL 19W

TYPE:

PROJECT NAME:



Vertical hanging lamp 1530mm (60"1/4) with diffused light. Internal aluminium structure white, black, brass, polished aluminium or multicolor coated. Multicolor TOKYO: blue, sky blue, bronze, champagne, red. Multicolor RIO: fuchsia, orange, light yellow, yellow, green. Ribbed Pyrex glass cylindrical diffuser. Metal ceiling canopy matt white, black or brass coated. Strip LED.

Power input: 19W

Light emission direction: Diffused

Cables: Stainless steel cables standard length 2000 mm (78" 3/4), Electric cable standard length 2500 mm (1000")

Materials: Aluminium structure, transparent glass diffuser

Electrical: High efficiency electronic power supply, rated 50,000 hours 120V-277V

Dimming: Power supply compatible with 0-10V

Structure finish: Matt white, matt black, brass, polished



Light source: LED

3000K: 90CRI

4000K: 90CRI

Degree of protection: IP20

Source lumens: 1900 lm

Source efficacy: 100 lm/W

SPECIFICATION SHEET

ORDERING INFO

Model (Order Code)	Structure Finish	LED	Dimming Options
<input type="radio"/> L032800301A20100 19W	<input type="radio"/> Matt White <input type="radio"/> Matt Black <input type="radio"/> Brass <input type="radio"/> Polished	<input type="radio"/> 3000K <input type="radio"/> 4000K	<input type="radio"/> 120V LTE <input type="radio"/> 120-277V 0-10V

