

**VITREO™**  
SUSPENSION VERTICAL

**TYPE:**

**PROJECT NAME:**



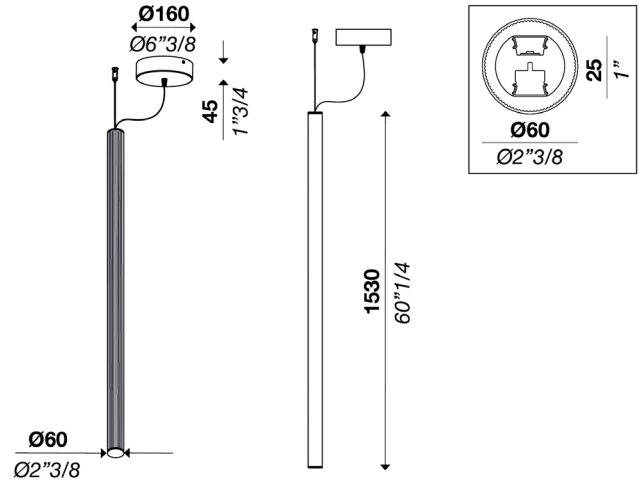
SPECIFICATION SHEET

# VITREO™

SUSPENSION VERTICAL 19W

TYPE:

PROJECT NAME:



Vertical hanging lamp 1530mm (60"1/4) with diffused light. Internal aluminium structure white, black, brass, polished aluminium or multicolor coated. Multicolor TOKYO: blue, sky blue, bronze, champagne, red. Multicolor RIO: fuchsia, orange, light yellow, yellow, green. Ribbed Pyrex glass cylindrical diffuser. Metal ceiling canopy matt white, black or brass coated. Strip LED.

**Power input:** 19W

**Light emission direction:** Diffused

**Cables:** Stainless steel cables standard length 2000 mm (78" 3/4), Electric cable standard length 2500 mm (100")

**Materials:** Aluminium structure, transparent glass diffuser

**Electrical:** High efficiency electronic power supply, rated 50,000 hours 120V-277V

**Dimming:** Power supply compatible with 0-10V

**Structure finish:** Matt white, matt black, brass, polished



**Light source:** LED

3000K: 90CRI

4000K: 90CRI

**Degree of protection:** IP20

**Source lumens:** 1900 lm

**Source efficacy:** 100 lm/W

SPECIFICATION SHEET

## ORDERING INFO

Model (Order Code)	Structure Finish	LED	Driver Options
<input type="radio"/> L032800301A20100 19W	<input type="radio"/> Matt White <input type="radio"/> Matt Black <input type="radio"/> Brass <input type="radio"/> Polished	<input type="radio"/> 3000K <input type="radio"/> 4000K	<input type="radio"/> 120V 0-10V Dimming <input type="radio"/> 277V 0-10V Dimming



**Luminart®**

WWW.LUMINARTLIGHTING.COM