

WAVE MAX™

SUSPENSION

TYPE:

PROJECT NAME:



WAVE MAX
LED suspension luminaire



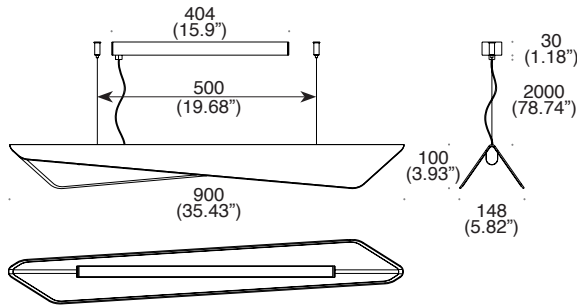
SPECIFICATION SHEET

WAVE MAX™

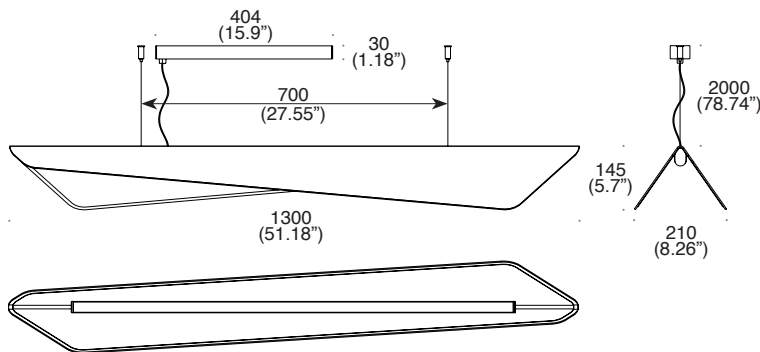
SUSPENSION

TYPE:

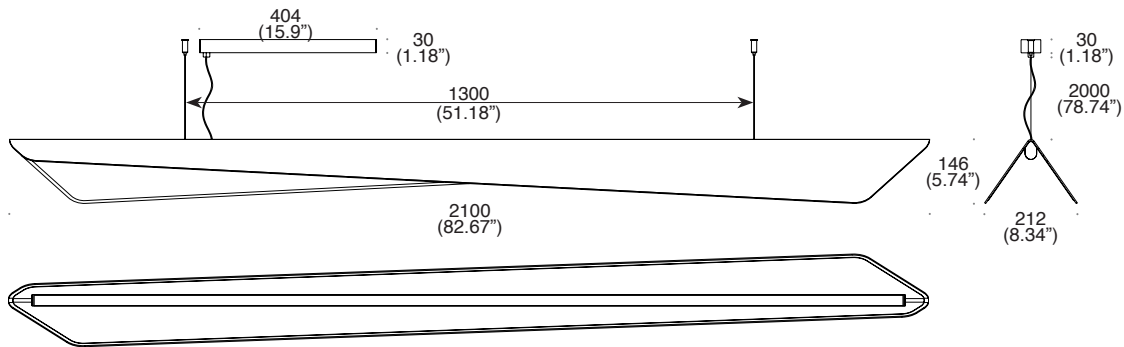
PROJECT NAME:



Wave Max 900
27W LED, 2200lm, CRI90



Wave Max 1300
25W LED, 1900lm, CRI90



Wave Max 2100
45W LED, 3800lm, CRI90

SPECIFICATION SHEET

ORDERING INFO

Model (Order Code)	Finish	LED	Driver Options
<input type="radio"/> Wave Max 900 (L545.1177)	<input type="radio"/> 44 Black + White interior	<input type="radio"/> 2700K	<input type="radio"/> 120V Phase Dimming
<input type="radio"/> Wave Max 1300 (L545.0424)	<input type="radio"/> 66 Black + Orange interior	<input type="radio"/> 3000K	<input type="radio"/> 120V 0-10V Dimming
<input type="radio"/> Wave Max 2100 (L545.1188)	<input type="radio"/> 02 Black + Black interior	<input type="radio"/> 4000K	<input type="radio"/> 277V 0-10V Dimming
	<input type="radio"/> 03 White + White interior		



Fixture comes with a 4" backplate that mounts to a standard junction box.