

NEWTON™ RECESSED

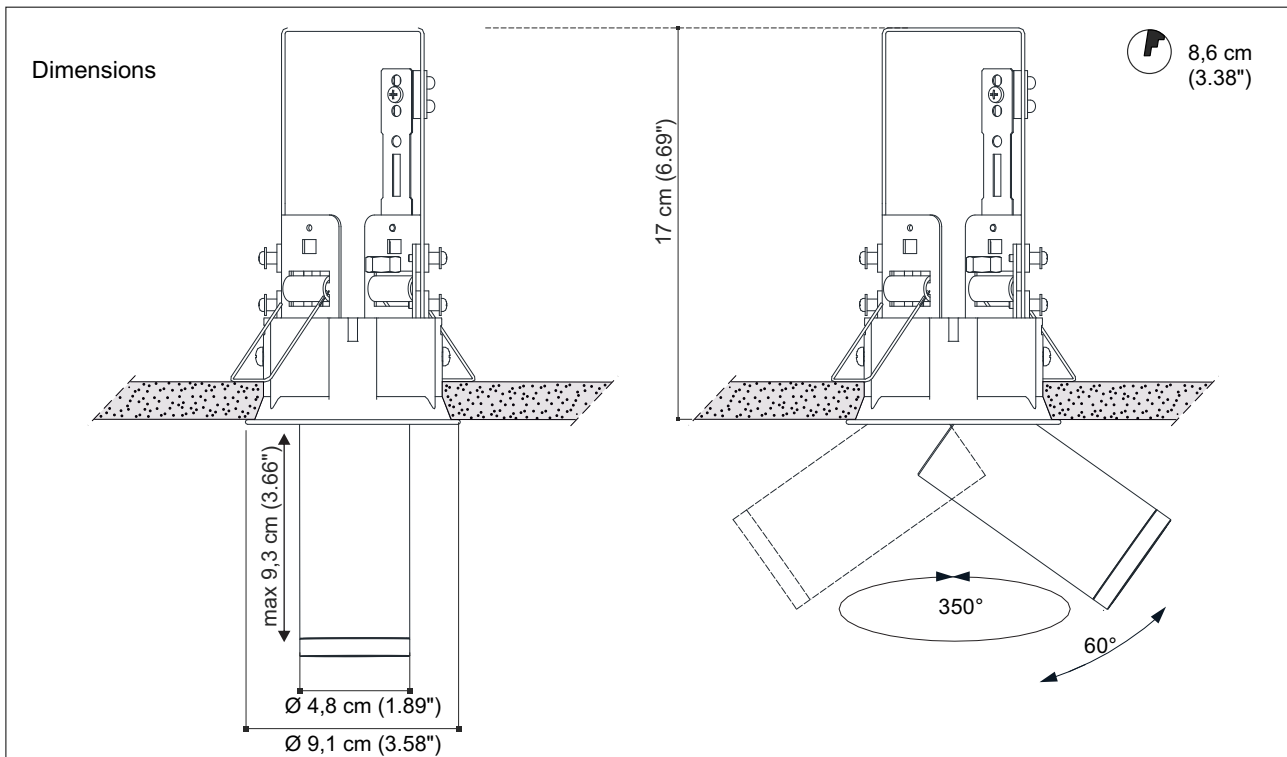
MODEL: L676328

TYPE:

PROJECT NAME:



model:	L676328	
	adjustable recessed spotlight	
materials:	structure in aluminium	
light:	direct	
LED code	optic degree	LED color
/XW	/24 /38 /58	8,9W 17,8V 500mA 1353lm CRI>80 2700K
/WW	/24 /38 /58	8,9W 17,8V 500mA 1303lm CRI>80 3000K
/W	/24 /38 /58	8,9W 17,8V 500mA 1115lm CRI>80 4000K
IP grade:	20	
net weight:	0,80 Kg	
finishes	.01 white .02 black	
option	/ST satin glass	



SPECIFICATION SHEET

Luminart®

WWW.LUMINARTLIGHTING.COM
Last updated: 01/25/24

NEWTON™ RECESSED

MODEL: L676328

TYPE:

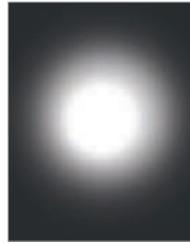
PROJECT NAME:

Available Optics



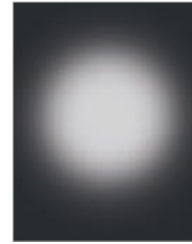
/24

Narrow beam optic for accent lighting



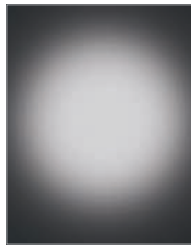
/38

Medium beam optic



/58

Wide beam optic



/ST

Diffused light optic for general lighting

Accessories



L670267

Louvres

- .01 White
- .02 Black



L670274

Anti-glare screen

- .01 White
- .02 Black

SPECIFICATION SHEET

ORDERING INFO

Model (Order Code)	Structure Finish	LED	Optic Options	Accessories (Optional)	Dimming Options
<input type="radio"/> L676328 Newton	<input type="radio"/> .01: White <input type="radio"/> .02: Black	<input type="radio"/> /XW: 2700K <input type="radio"/> /WW: 3000K <input type="radio"/> /W: 4000K	<input type="radio"/> /24: Narrow Beam <input type="radio"/> /38: Medium Beam <input type="radio"/> /58: Wide Beam <input type="radio"/> /ST: Diffused Light	<input type="radio"/> L670267.01: White Louvre <input type="radio"/> L670267.02: Black Louvre <input type="radio"/> L670274.01: White Anti-glare Screen <input type="radio"/> L670274.02: Black Anti-glare Screen	<input type="radio"/> LTE (120V) <input type="radio"/> 0-10V (120-277V)

